



Chipsmall Limited consists of a professional team with an average of over 10 year of expertise in the distribution of electronic components. Based in Hongkong, we have already established firm and mutual-benefit business relationships with customers from,Europe,America and south Asia,supplying obsolete and hard-to-find components to meet their specific needs.

With the principle of “Quality Parts,Customers Priority,Honest Operation,and Considerate Service”,our business mainly focus on the distribution of electronic components. Line cards we deal with include Microchip,ALPS,ROHM,Xilinx,Pulse,ON,Everlight and Freescale. Main products comprise IC,Modules,Potentiometer,IC Socket,Relay,Connector.Our parts cover such applications as commercial,industrial, and automotives areas.

We are looking forward to setting up business relationship with you and hope to provide you with the best service and solution. Let us make a better world for our industry!



## Contact us

Tel: +86-755-8981 8866 Fax: +86-755-8427 6832

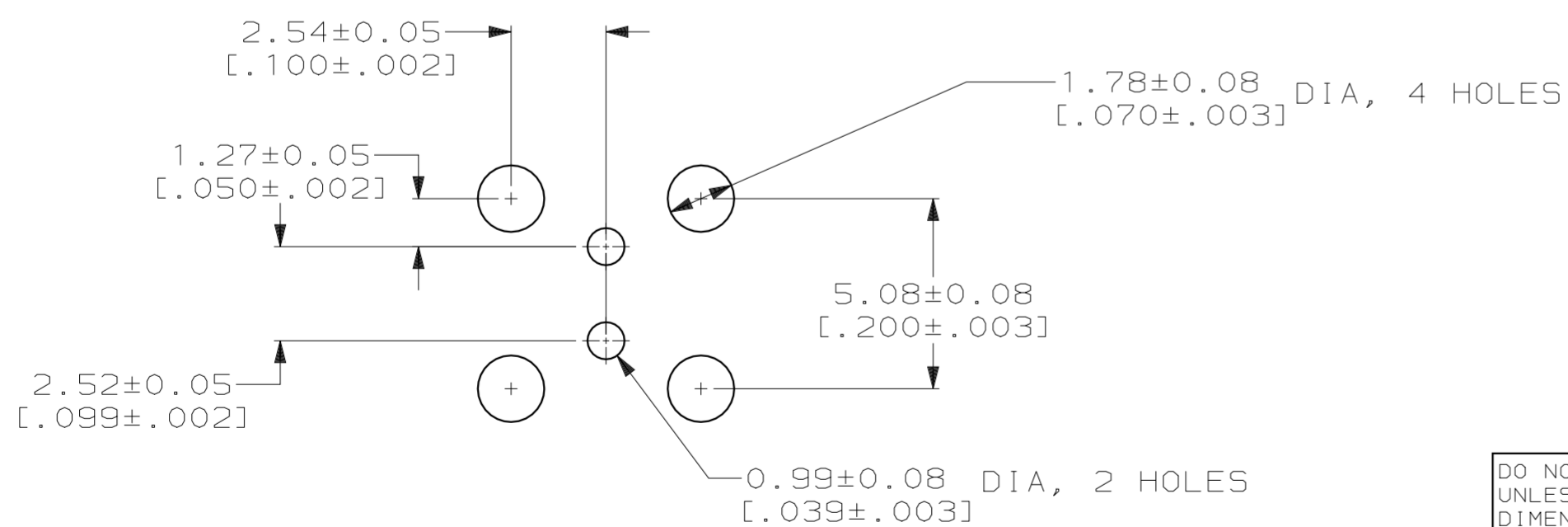
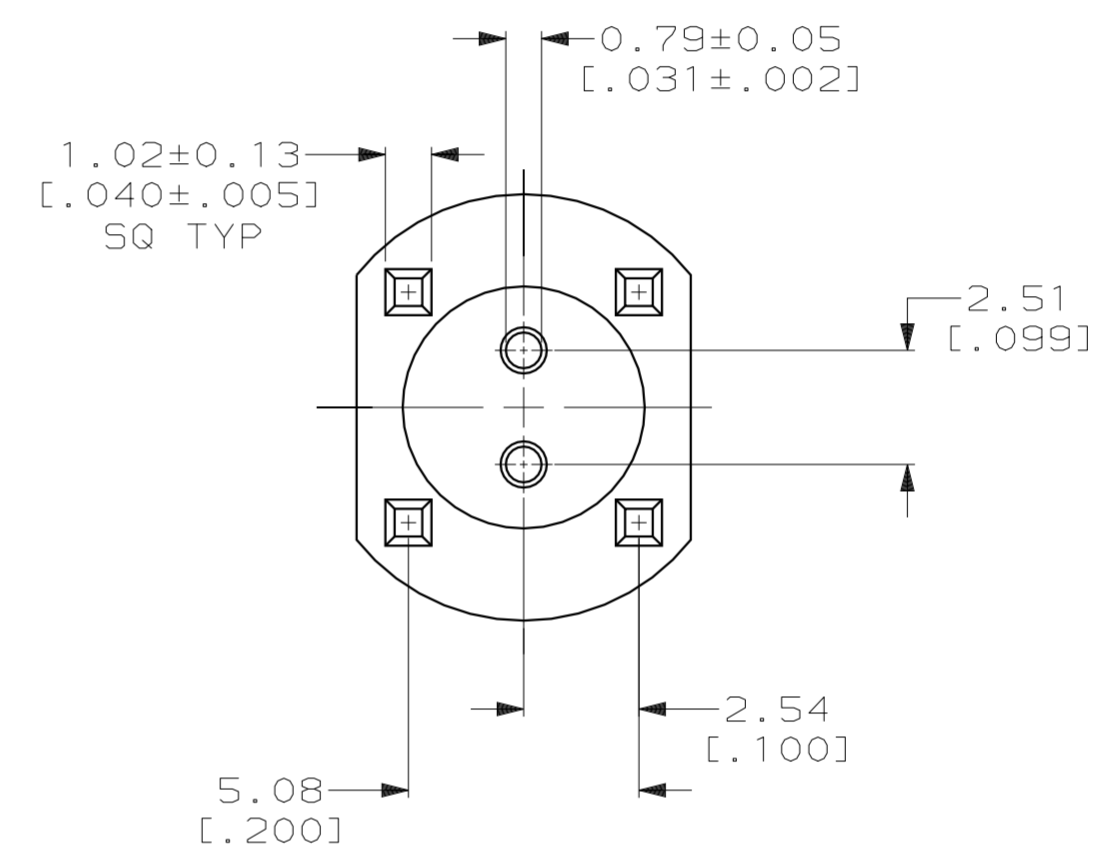
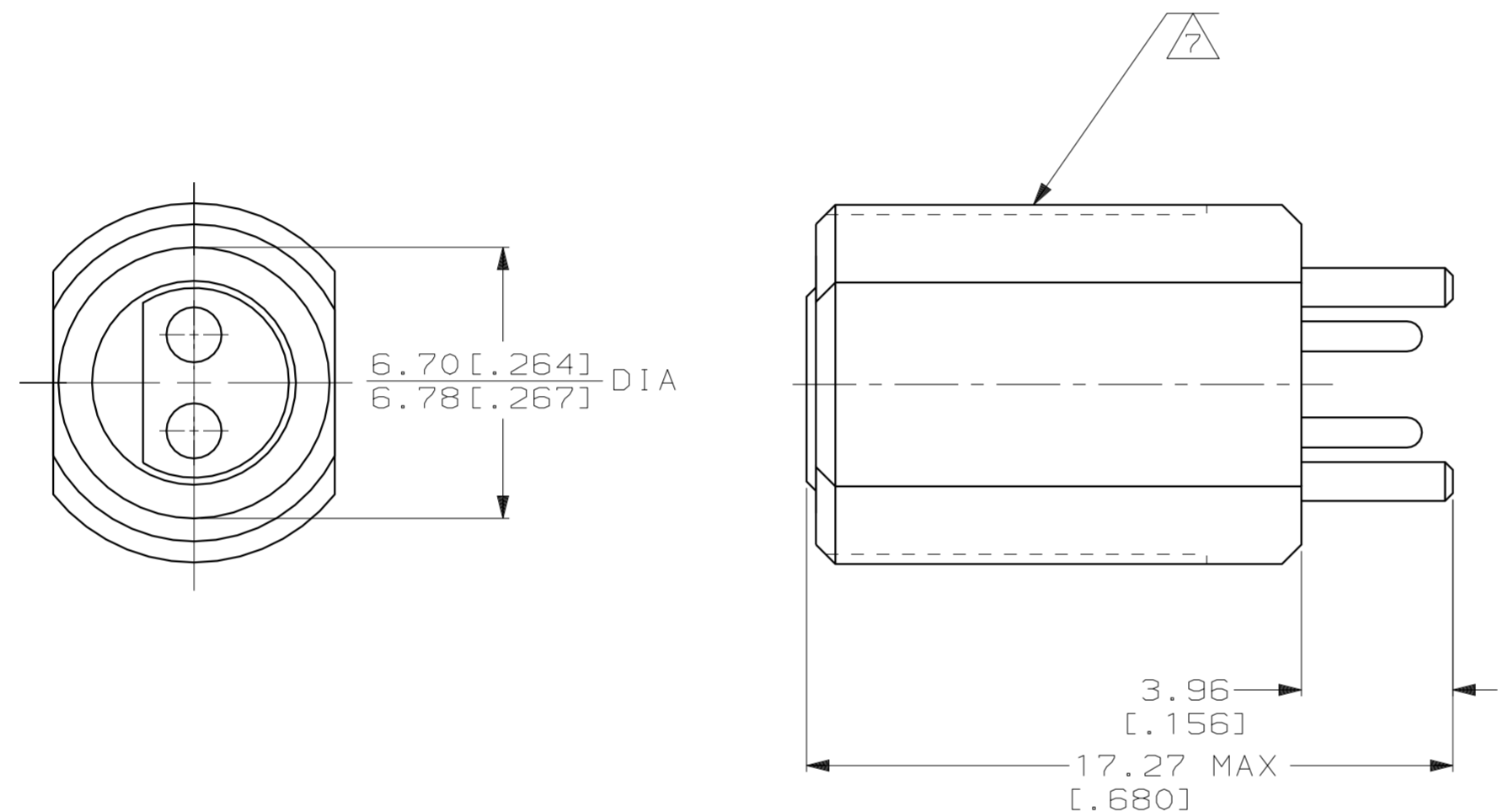
Email & Skype: info@chipsmall.com Web: www.chipsmall.com

Address: A1208, Overseas Decoration Building, #122 Zhenhua RD., Futian, Shenzhen, China



LOC	DIST	P	F	ZONE	LTR	DESCRIPTION	DATE	APPD	
DF	XO				K	REV PER ECO 06-16763	CT	7-24-06	BM

- 1 BRASS PER QQ-B-626
- 2 PTFE PER MIL-P-19468
- 3 NYLON PER MIL-M-20693
- 4 GOLD PLATE PER MIL-G-45204
- 5 NICKEL PLATE PER QQ-N-290
- 6 SILVER PLATE PER QQ-S-365
- 7 3/8-32 UNEF-2A
- 8 RoHS COMPLIANT PART NUMBER.



SUGGESTED PANEL CUTOUT

5-330873-0
330873
PART NO.

DO NOT SCALE PRINT. UNLESS SPECIFIED DIMENSIONS IN mm [INCHES] TOLERANCES ON : 2 PLC DEC ± .20 [0.008] 3 PLC DEC ± - ANGLES ± -	DR 01/08/93 J.DAVIS	AMP Incorporated Harrisburg, PA 17105-3608	
	CHK 01/14/93 G.MICHAEL		
MATERIAL 1 2 3	APPD 01/14/93 G.MICHAEL	NAME CONN, COAX, RF, RECPT PCB, TWIN THD'D SERIES	
	APPD 01/14/93 J.DAVIS	PRODUCT SPEC -	
FINISH 4 5 6	APPLICATION SPEC -	SIZE C 00779	CAGE CODE C=330873
	WEIGHT .123 OZ	SCALE NTS	SHEET 1 OF 1

THIS DRAWING IS A CONTROLLED DOCUMENT FOR AMP INCORPORATED. IT IS SUBJECT TO CHANGE AND THE CONTROLLING ENGINEERING ORGANIZATION SHOULD BE CONTACTED FOR THE LATEST REVISION.