



Chipsmall Limited consists of a professional team with an average of over 10 year of expertise in the distribution of electronic components. Based in Hongkong, we have already established firm and mutual-benefit business relationships with customers from,Europe,America and south Asia,supplying obsolete and hard-to-find components to meet their specific needs.

With the principle of “Quality Parts,Customers Priority,Honest Operation,and Considerate Service”,our business mainly focus on the distribution of electronic components. Line cards we deal with include Microchip,ALPS,ROHM,Xilinx,Pulse,ON,Everlight and Freescale. Main products comprise IC,Modules,Potentiometer,IC Socket,Relay,Connector.Our parts cover such applications as commercial,industrial, and automotives areas.

We are looking forward to setting up business relationship with you and hope to provide you with the best service and solution. Let us make a better world for our industry!



## Contact us

Tel: +86-755-8981 8866 Fax: +86-755-8427 6832

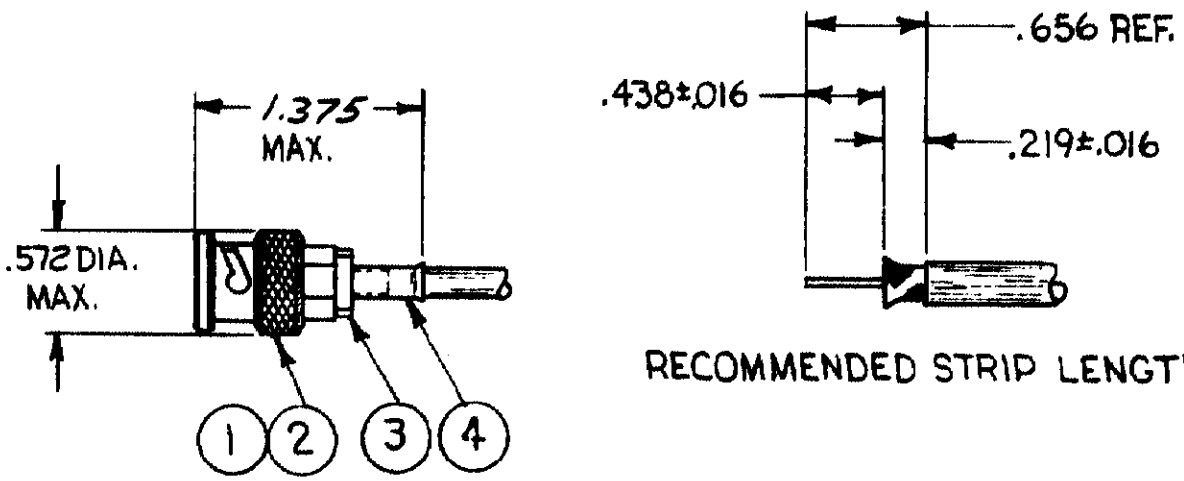
Email & Skype: info@chipsmall.com Web: www.chipsmall.com

Address: A1208, Overseas Decoration Building, #122 Zhenhua RD., Futian, Shenzhen, China



REVISIONS					
P	F	LTR	DESCRIPTION	DATE	APPROVED
✓		G	REV + REDWN C82-516	5-25-83	2/24

THIS DRAWING IS UNPUBLISHED. RELEASED FOR PUBLICATION MAY 25, 1983.  
 BY AMP INCORPORATED, HARRISBURG, PA. ALL INTERNATIONAL RIGHTS RESERVED. AMP PRODUCTS MAY BE COVERED BY U.S. AND FOREIGN PATENTS AND/OR PATENTS PENDING.



RECOMMENDED STRIP LENGTH

1. FOR USE WITH: RG-178/U + 196/U CABLE
2. USE CRIMPING TOOL: 69245-4.
3. SEE I.S. 1799-1
4. WEIGHT: .451 OZ.

ITEM	QTY.	DESCRIPTION	PART NO
4	1	FERRULE	328667
3	1	CRIMP END ASSV	1-50780-4
2	1	GASKET	2-329106-1
1	1	PLUG ASSY	329804

UNLESS OTHERWISE SPECIFIED DIMENSIONS ARE IN INCHES. TOLERANCES ON: DECIMALS ± # ANGLES ± #

MATERIAL \_\_\_\_\_

FINISH \_\_\_\_\_

CONTRACT NO \_\_\_\_\_

DR *[Signature]* 5-25-83

CHK *[Signature]* 9/12/83

APPD *[Signature]* 11/21/83

APPD *[Signature]* 11/10

DSGN APPD \_\_\_\_\_

OTHER APPD \_\_\_\_\_

**AMP** | AMP INCORPORATED  
Harrisburg, Pa. 17105

NAME **CONNECTOR, COAXIAL, R.F., PLUG, SERIES BNC**

SIZE **A** FSCM NO **00779** DRAWING NO **330876**

SCALE **NTS** SHEET \_\_\_\_\_