



Chipsmall Limited consists of a professional team with an average of over 10 year of expertise in the distribution of electronic components. Based in Hongkong, we have already established firm and mutual-benefit business relationships with customers from,Europe,America and south Asia,supplying obsolete and hard-to-find components to meet their specific needs.

With the principle of "Quality Parts,Customers Priority,Honest Operation,and Considerate Service",our business mainly focus on the distribution of electronic components. Line cards we deal with include Microchip,ALPS,ROHM,Xilinx,Pulse,ON,Everlight and Freescale. Main products comprise IC,Modules,Potentiometer,IC Socket,Relay,Connector.Our parts cover such applications as commercial,industrial, and automotives areas.

We are looking forward to setting up business relationship with you and hope to provide you with the best service and solution. Let us make a better world for our industry!



Contact us

Tel: +86-755-8981 8866 Fax: +86-755-8427 6832

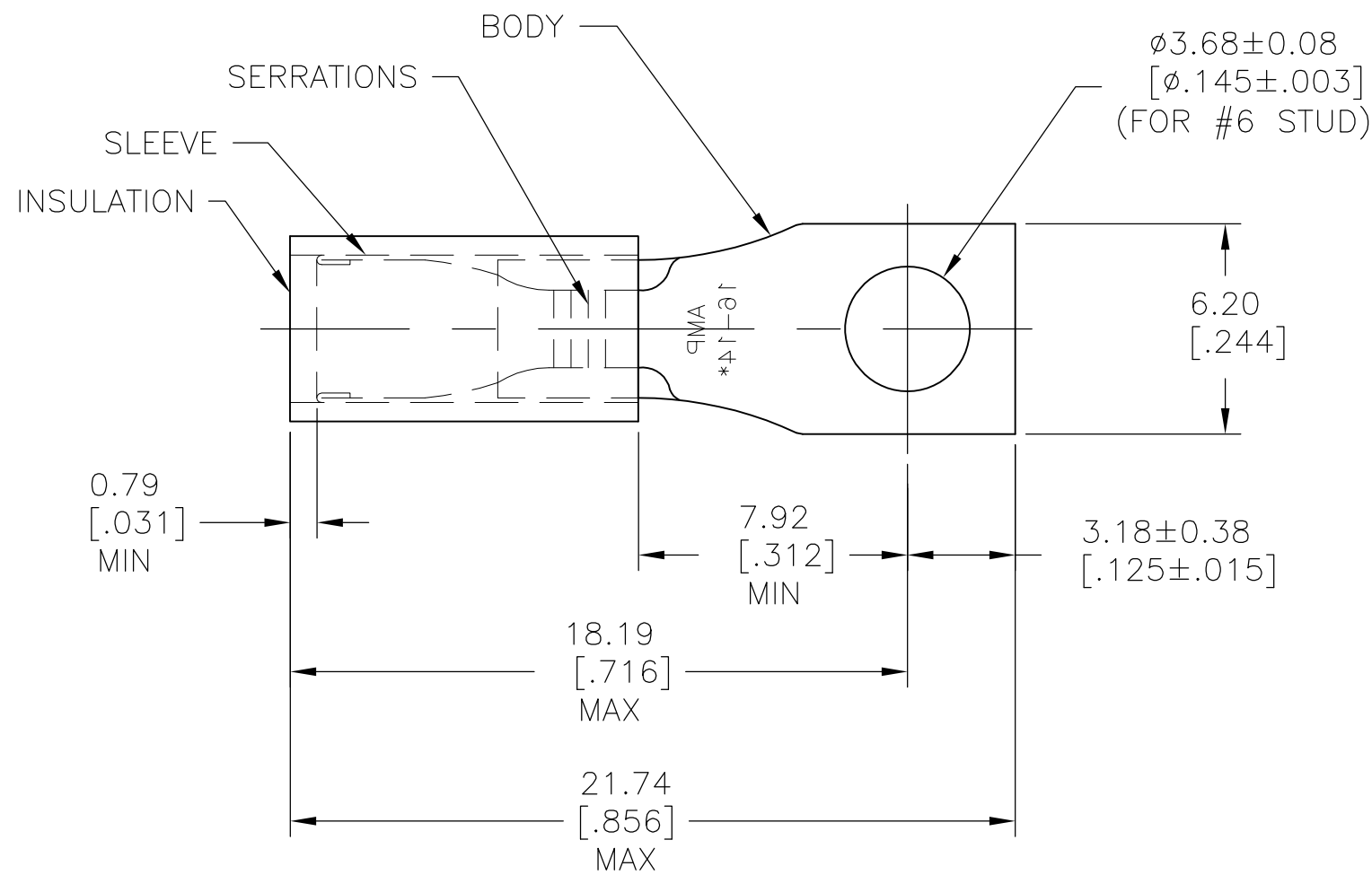
Email & Skype: info@chipsmall.com Web: www.chipsmall.com

Address: A1208, Overseas Decoration Building, #122 Zhenhua RD., Futian, Shenzhen, China



THIS DRAWING IS UNPUBLISHED. RELEASED FOR PUBLICATION
 © COPYRIGHT BY TYCO ELECTRONICS CORPORATION. ALL INTERNATIONAL RIGHTS RESERVED.

LOC	DIST	REVISIONS					
G	14	P	LTR	DESCRIPTION	DATE	DWN	APVD
		G1		REDRAWN PER ECO-09-005960	14APR09	HMR	JR



TONGUE MATERIAL THK = 0.79 ± 0.05 [$.031 \pm 0.002$]
 FOR 2.92 [.115] TO 4.32 [.170] WIRE INS. DIA

100	LOOSE PC, BOX	8-33173-1	INSULATION: NYLON COLOR: BLUE SLEEVE: COPPER (ASTM-B152) BODY: COPPER (ASTM-B152) TIN PL (ASTM-B545)
OBSOLETE	1 33173 ON TAPE	2 33173-1	
1	WIRE TERMINAL	33173	
QTY	DESCRIPTION	PART NO	MATERIAL & FINISH

THIS DRAWING IS A CONTROLLED DOCUMENT.		DWN	14APR09	Tyco Electronics Corporation	
		CHK	14APR09	Harrisburg, PA 17105-3608	
		APVD	14APR09	NAME	
		Tom Michielutti		WIRE TERMINAL	
DIMENSIONS: mm [INCHES]		TOLERANCES UNLESS OTHERWISE SPECIFIED:		P.I.D.G.-RECTANGULAR TONGUE	
		0 PLC ± -		WIRE SIZE: 16-14	
		1 PLC ± -		SIZE	
		2 PLC ± -		CAGE CODE	
		3 PLC ± 0.20 [.008]		DRAWING NO	
		4 PLC ± -		RESTRICTED TO	
		ANGLES ± 5°		A3 00779 C-33173	
MATERIAL		FINISH		WEIGHT	
SEE TABLE		SEE TABLE		-	
CUSTOMER DRAWING				SCALE	5:1
				SHEET	1 OF 1
				REV	G1