



Chipsmall Limited consists of a professional team with an average of over 10 year of expertise in the distribution of electronic components. Based in Hongkong, we have already established firm and mutual-benefit business relationships with customers from,Europe,America and south Asia,supplying obsolete and hard-to-find components to meet their specific needs.

With the principle of “Quality Parts,Customers Priority,Honest Operation,and Considerate Service”,our business mainly focus on the distribution of electronic components. Line cards we deal with include Microchip,ALPS,ROHM,Xilinx,Pulse,ON,Everlight and Freescale. Main products comprise IC,Modules,Potentiometer,IC Socket,Relay,Connector.Our parts cover such applications as commercial,industrial, and automotives areas.

We are looking forward to setting up business relationship with you and hope to provide you with the best service and solution. Let us make a better world for our industry!



Contact us

Tel: +86-755-8981 8866 Fax: +86-755-8427 6832

Email & Skype: info@chipsmall.com Web: www.chipsmall.com

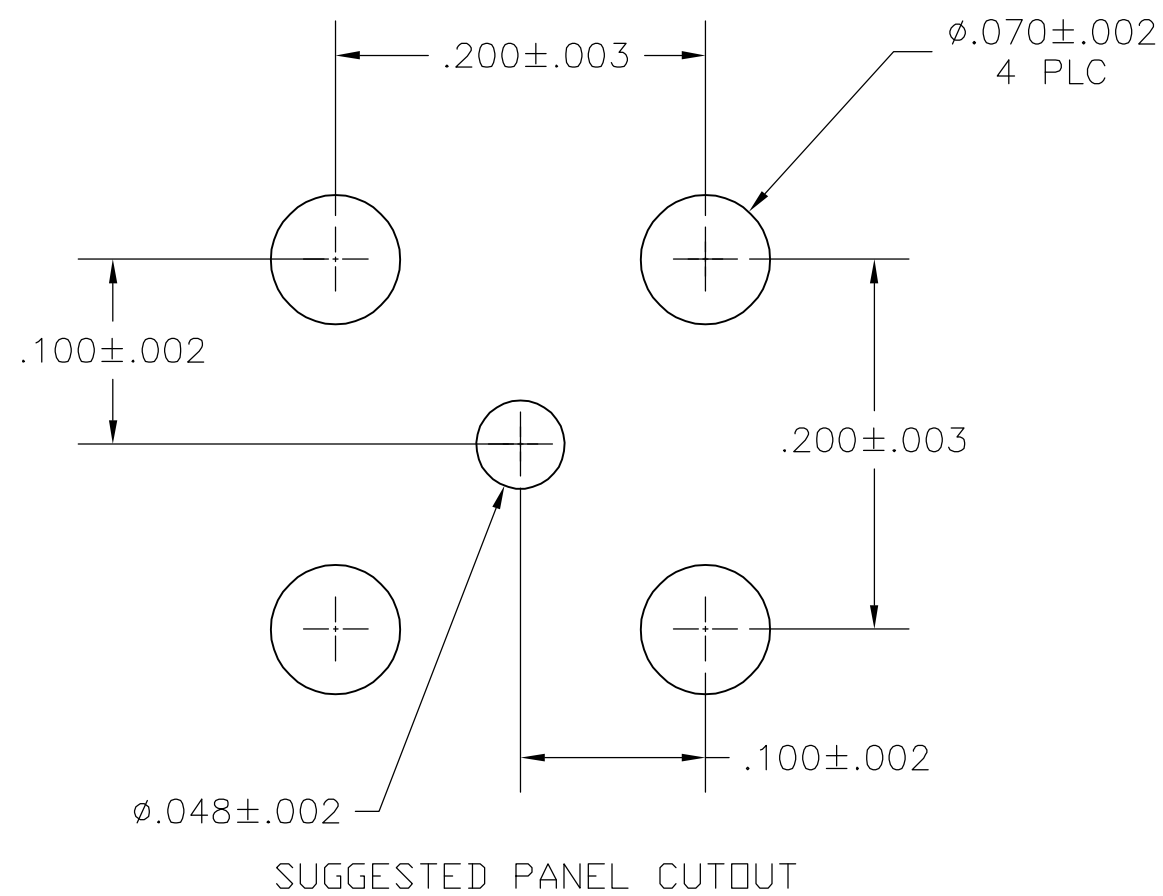
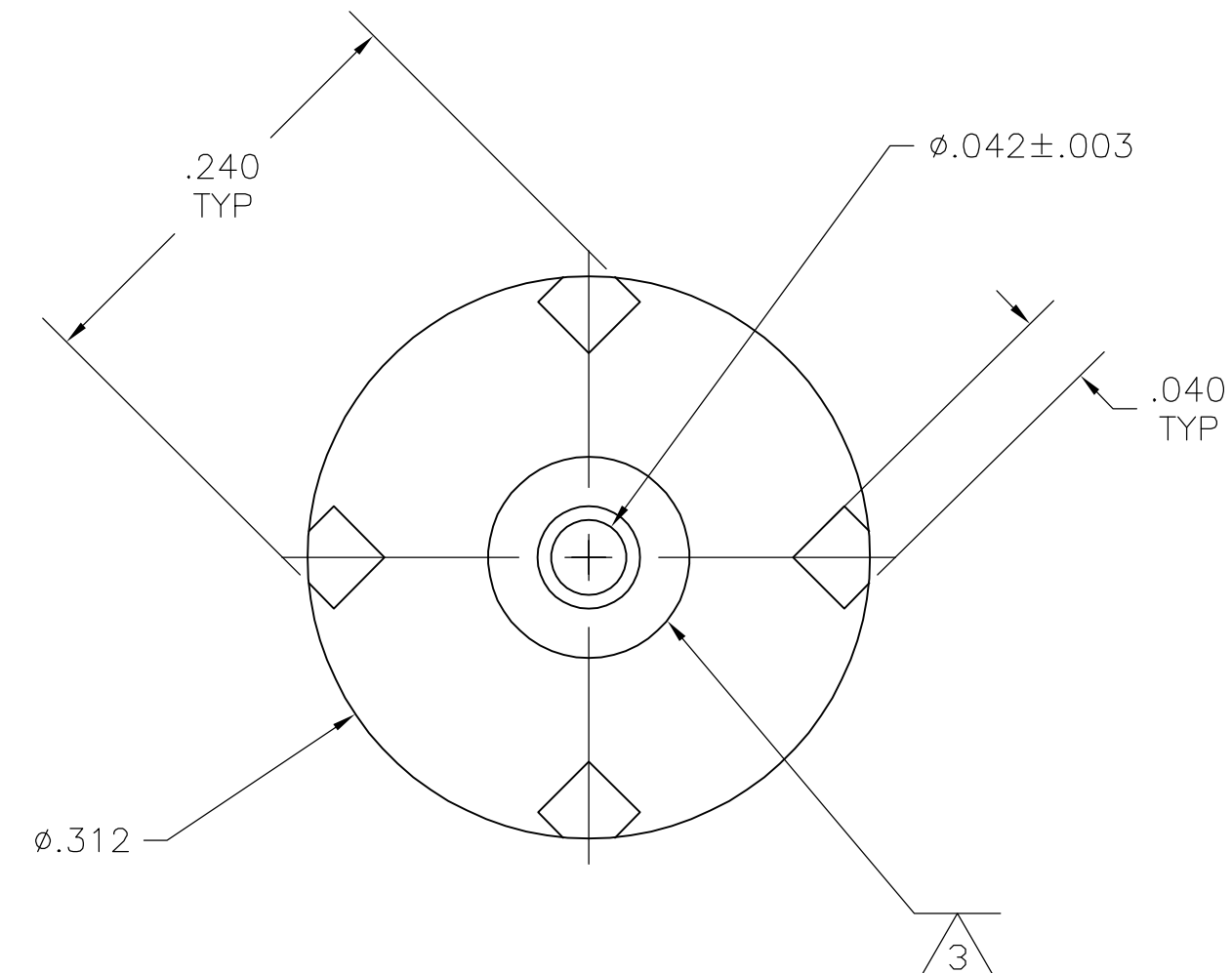
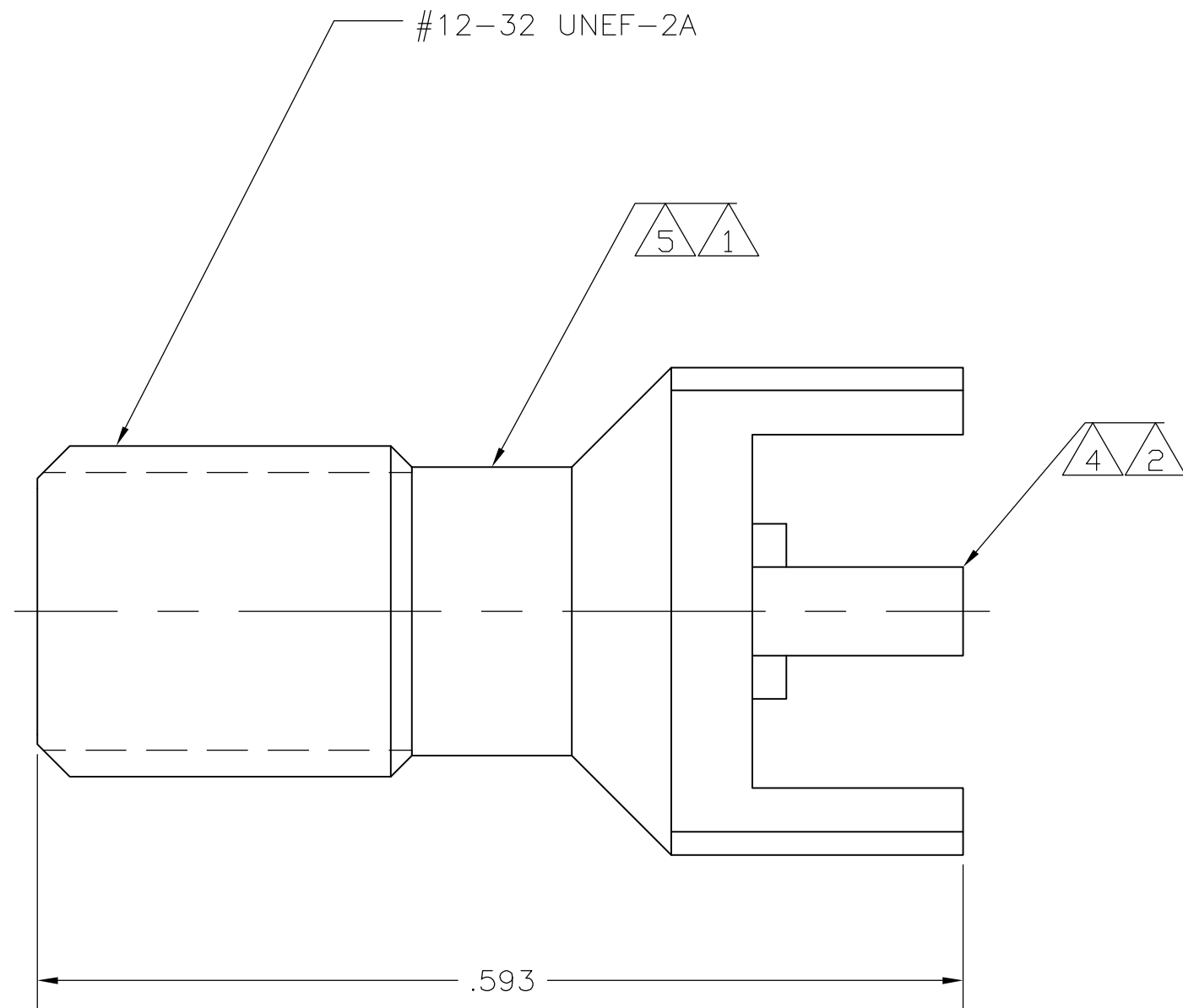
Address: A1208, Overseas Decoration Building, #122 Zhenhua RD., Futian, Shenzhen, China



THIS DRAWING IS UNPUBLISHED. RELEASED FOR PUBLICATION
 © COPYRIGHT BY TYCO ELECTRONICS CORPORATION. ALL RIGHTS RESERVED.

LOC	DIST	REVISIONS			
P	LTR	DESCRIPTION	DATE	DWN	APVD
DF	X5				
E		REV PER EC 0H14-0486-04	14SEP05	VF	CT

- ① BRASS PER ASTM-B-16.
- ② BERYLLIUM COPPER PER ASTM-B-196.
- ③ PTFE PER ASTM-D-1710.
- ④ GOLD PLATE PER ASTM-B-488 OVER NICKEL PLATE PER QQ-N-290.
- ⑤ SILVER PLATE PER QQ-S-365 OVER NICKEL PLATE PER QQ-N-290.



331899
PART NUMBER

THIS DRAWING IS A CONTROLLED DOCUMENT.		DWN V. FURLER 01SEP05	Tyco Electronics Corporation Harrisburg, Pa 17105-3608	
DIMENSIONS: INCHES		CHK T.W. FITZGERALD 01SEP05		
TOLERANCES UNLESS OTHERWISE SPECIFIED:		APVD T.W. FITZGERALD 01SEP05	NAME	
0 PLC ± - 1 PLC ± - 2 PLC ± - 3 PLC ± .008 4 PLC ± - ANGLES ± -		PRODUCT SPEC	CONNECTOR COAXIAL, R.F. ADAPTER, PCB, RECPT, SERIES, MIN THREADED	
MATERIAL		APPLICATION SPEC	SIZE A2	RESTRICTED TO
FINISH		WEIGHT -	CAGE CODE 00779	DRAWING NO
① ② ③		CUSTOMER DRAWING	Drawing No. C-331899	
④ ⑤		SCALE 8:1	SHEET 1 OF 1	REV E