



Chipsmall Limited consists of a professional team with an average of over 10 year of expertise in the distribution of electronic components. Based in Hongkong, we have already established firm and mutual-benefit business relationships with customers from,Europe,America and south Asia,supplying obsolete and hard-to-find components to meet their specific needs.

With the principle of "Quality Parts,Customers Priority,Honest Operation,and Considerate Service",our business mainly focus on the distribution of electronic components. Line cards we deal with include Microchip,ALPS,ROHM,Xilinx,Pulse,ON,Everlight and Freescale. Main products comprise IC,Modules,Potentiometer,IC Socket,Relay,Connector.Our parts cover such applications as commercial,industrial, and automotives areas.

We are looking forward to setting up business relationship with you and hope to provide you with the best service and solution. Let us make a better world for our industry!



Contact us

Tel: +86-755-8981 8866 Fax: +86-755-8427 6832

Email & Skype: info@chipsmall.com Web: www.chipsmall.com

Address: A1208, Overseas Decoration Building, #122 Zhenhua RD., Futian, Shenzhen, China





LIGHTING FOREVER

Technical Data Sheet

334-15/X1C1-1TWA

Features

- Popular T-1 3/4 round package.
- High luminous power.
- Typical chromaticity coordinates $x=0.40, y=0.39$ according to CIE1931.
- Bulk, available taped on reel.
- ESD-withstand voltage: up to 4KV
- The product itself will remain within RoHS compliant version .



Descriptions

- The series is designed for application required high luminous intensity.
- The phosphor filled in the reflector converts the blue emission of InGaN chip to warm white.

Applications

- Message panels
- Optical Indicators
- Backlighting
- Marker Lights

Device Selection Guide

| PART NO. | Chip | | Lens Color |
|------------------|----------|---------------|-------------|
| | Material | Emitted Color | |
| 334-15/X1C1-1TWA | InGaN | Warm White | Water Clear |

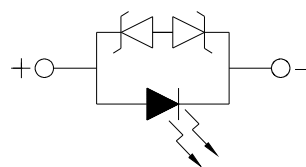
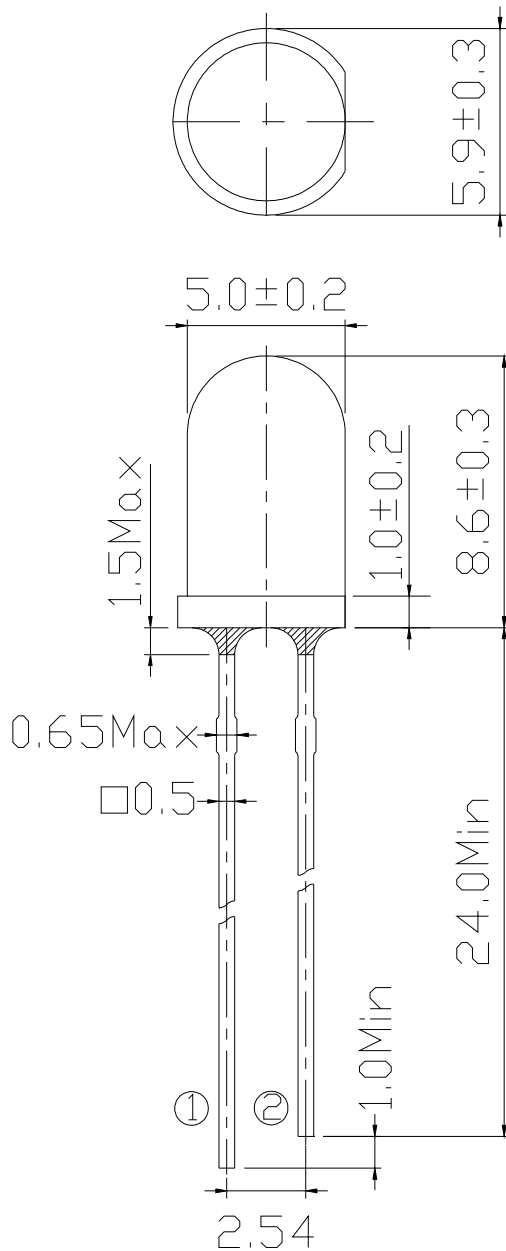


LIGHTING FOREVER

Technical Data Sheet

334-15/X1C1-1TWA

Package Dimensions



① Anode

② Cathode

Notes:

1. All dimensions are in millimeters, and tolerance is 0.25mm except being specified.
2. Lead spacing is measured where the lead emerges from the package.
3. Protruded resin under flange is 1.5mm Max. LED.



LIGHTING FOREVER

Technical Data Sheet

334-15/X1C1-1TWA

Absolute Maximum Ratings (Ta=25°C)

| Parameter | Symbol | Rating | Unit |
|---------------------------------------|------------------|------------|------|
| Continuous Forward Current | I _F | 30 | mA |
| Peak Forward Current(Duty /10 @ 1KHZ) | I _{FP} | 100 | mA |
| Reverse Voltage | V _R | 5 | V |
| Operating Temperature | T _{opr} | -40 ~ +85 | °C |
| Storage Temperature | T _{stg} | -40 ~ +100 | °C |
| Soldering Temperature (T=5 sec) | T _{sol} | 260 | °C |
| Power Dissipation | P _d | 110 | mW |
| Zener Reverse Current | I _Z | 100 | mA |
| Electrostatic Discharge | ESD | 4K | V |



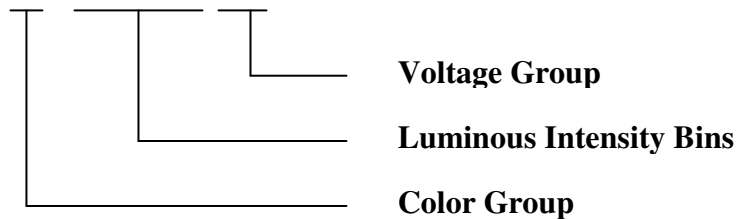
LIGHTING FOREVER

Technical Data Sheet

334-15/X1C1-1TWA

Production Designation

334-15/X2C1-□ □ □ □



Electro-Optical Characteristics (Ta=25°C)

| Parameter | Symbol | Condition | Min. | Typ. | Max. | Units |
|--------------------------|---------------|------------|------|------|-------|-------|
| Forward Voltage | V_F | $I_F=20mA$ | 2.8 | -- | 3.6 | V |
| Zener Reverse Voltage | V_Z | $I_Z=5mA$ | 5.2 | ---- | ----- | V |
| Reverse Current | I_R | $V_R=5V$ | -- | -- | 50 | uA |
| Luminous Intensity | I_V | $I_F=20mA$ | 7150 | -- | 18000 | mcd |
| Viewing Angle | $2\theta 1/2$ | $I_F=20mA$ | -- | 15 | -- | deg |
| Chromaticity Coordinates | x | $I_F=20mA$ | -- | 0.40 | -- | -- |
| | y | | -- | 0.39 | -- | -- |



LIGHTING FOREVER

Technical Data Sheet

334-15/X1C1-1TWA

Luminous Intensity Combination (mcd at 20mA)

| Rank | Min | Max |
|------|-------|-------|
| T | 7150 | 9000 |
| U | 9000 | 11250 |
| V | 11250 | 14250 |
| W | 14250 | 18000 |

*Measurement Uncertainty of Luminous Intensity: $\pm 10\%$

Forward Voltage Combination (V at 20mA)

| Rank | 0 | 1 | 2 | 3 |
|-----------------|---------|---------|---------|---------|
| Forward Voltage | 2.8~3.0 | 3.0~3.2 | 3.2~3.4 | 3.4~3.6 |

*Measurement Uncertainty of Forward Voltage : $\pm 0.1V$

Color Combination (at 20mA)

| Group | Bins |
|-------|-------------------|
| 1 | D1+D2+E1+E2+F1+F2 |

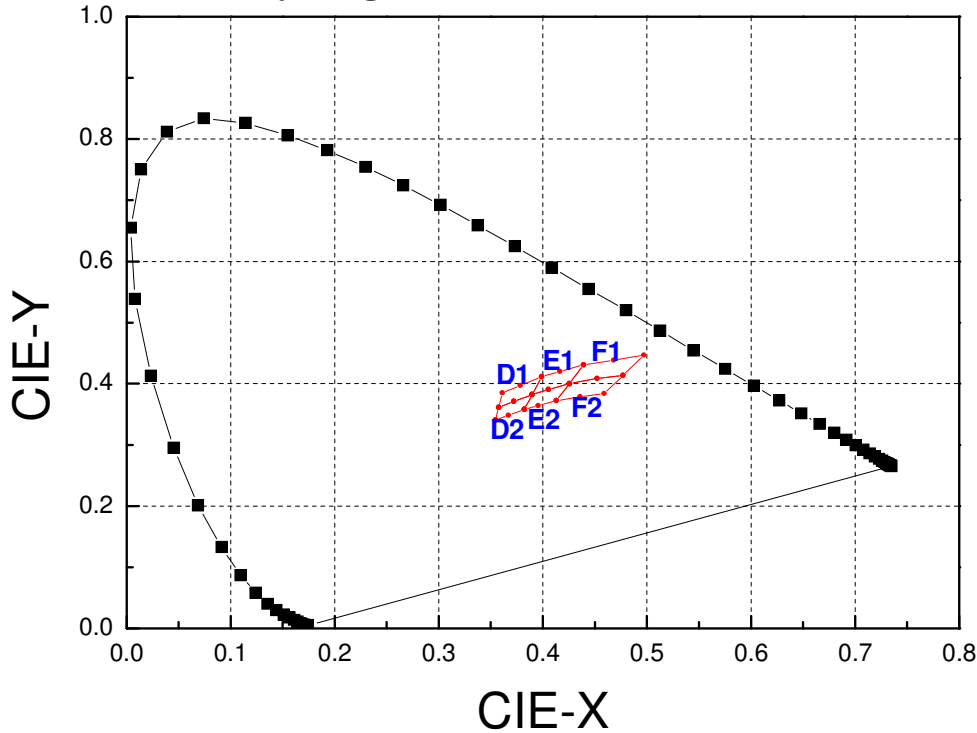


LIGHTING FOREVER

Technical Data Sheet

334-15/X1C1-1TWA

CIE Chromaticity Diagram



Color Ranks (IF=20mA , Ta=25°C)

| Color Ranks | | CIE | | | |
|-------------|---|-------|-------|-------|-------|
| D1 | X | 0.357 | 0.361 | 0.398 | 0.389 |
| | Y | 0.361 | 0.385 | 0.411 | 0.382 |
| D2 | X | 0.354 | 0.357 | 0.389 | 0.382 |
| | Y | 0.340 | 0.361 | 0.382 | 0.358 |
| E1 | X | 0.389 | 0.398 | 0.439 | 0.425 |
| | Y | 0.382 | 0.411 | 0.431 | 0.400 |
| E2 | X | 0.382 | 0.389 | 0.425 | 0.412 |
| | Y | 0.358 | 0.382 | 0.400 | 0.372 |
| F1 | X | 0.425 | 0.439 | 0.497 | 0.477 |
| | Y | 0.400 | 0.431 | 0.466 | 0.413 |
| F2 | X | 0.412 | 0.425 | 0.477 | 0.458 |
| | Y | 0.372 | 0.400 | 0.413 | 0.383 |

*Measurement uncertainty of the color coordinates : ±0.01



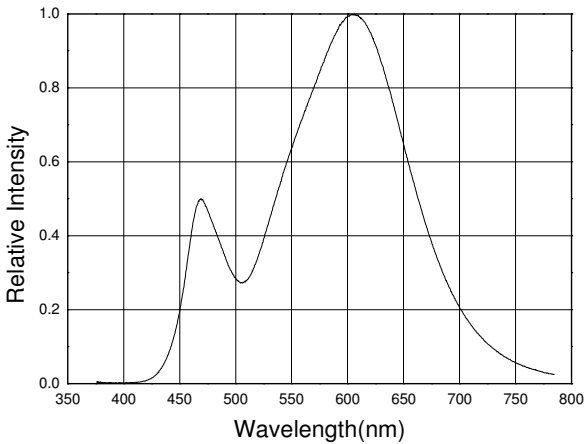
LIGHTING FOREVER

Technical Data Sheet

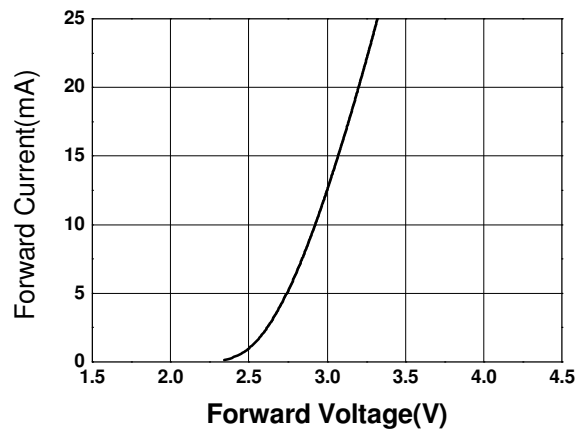
334-15/X1C1-1TWA

Typical Electro-Optical Characteristics Curves

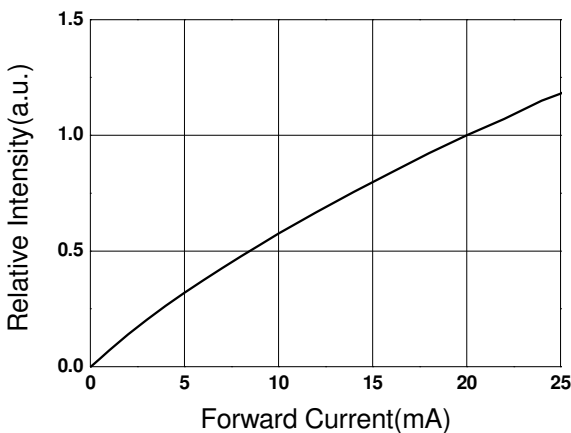
Relative Intensity vs. Wavelength



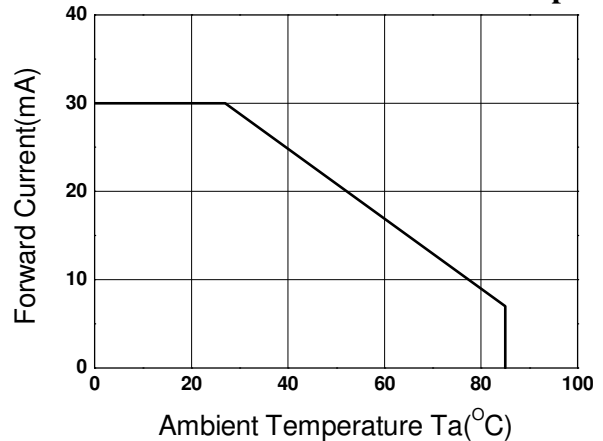
Forward Current vs. Forward Voltage



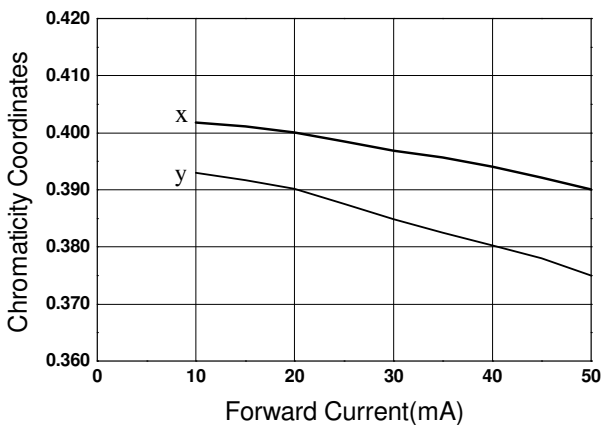
Relative Intensity vs. Forward Current



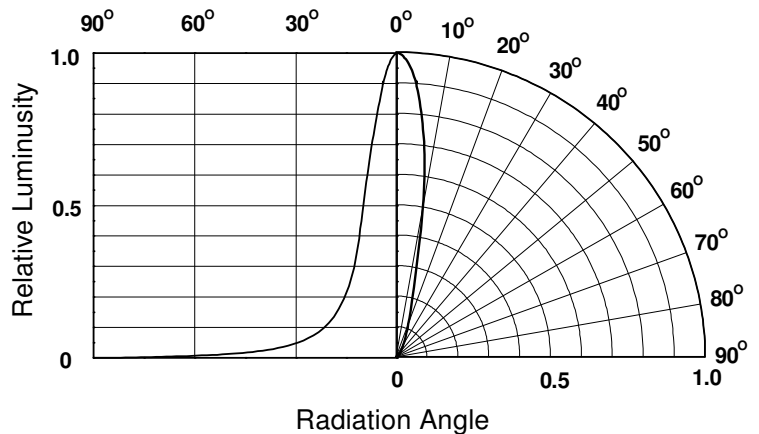
Forward Current vs. Ambient Temp.



Chromaticity Coordinate vs. Forward Current



Relative Intensity vs. Angle Displacement





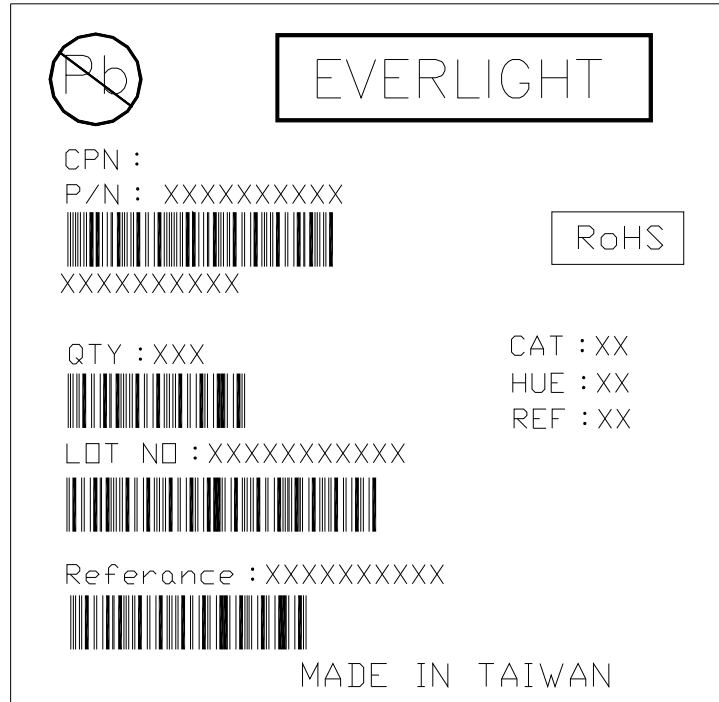
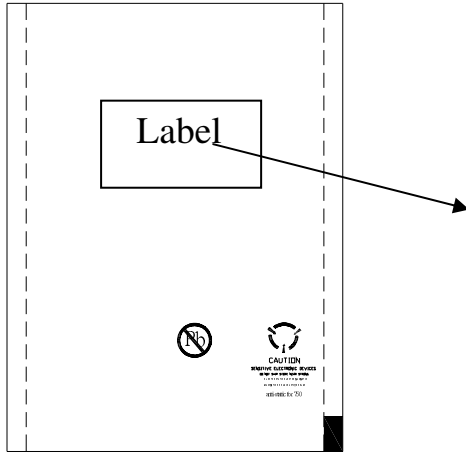
LIGHTING FOREVER

Technical Data Sheet

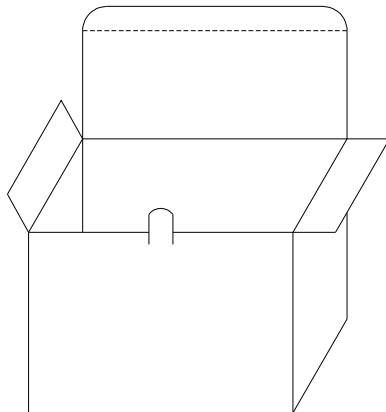
334-15/X1C1-1TWA

Packing Specification

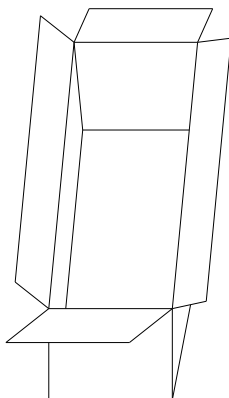
■ Anti-electrostatic bag



■ Inner Carton



■ Outside Carton



■ Label Form Specification

CPN: Customer's Production Number

P/N : Production Number

QTY: Packing Quantity

CAT: Ranks of Luminous Intensity and Forward Voltage

HUE: Color Rank

REF: Reference

LOT No: Lot Number

MADE IN TAIWAN: Production Place

■ Packing Quantity

1. 500 PCS/1 Bag, 5 Bags/1 Inner Carton

2. 10 Inner Cartons/1 Outside Carton



LIGHTING FOREVER

Technical Data Sheet

334-15/X1C1-1TWA

Notes

1. Lead Forming

- During lead formation, the leads should be bent at a point at least 3mm from the base of the epoxy bulb.
- Lead forming should be done before soldering.
- Avoid stressing the LED package during leads forming. The stress to the base may damage the LED's characteristics or it may break the LEDs.
- Cut the LED leadframes at room temperature. Cutting the leadframes at high temperatures may cause failure of the LEDs.
- When mounting the LEDs onto a PCB, the PCB holes must be aligned exactly with the lead position of the LED. If the LEDs are mounted with stress at the leads, it causes deterioration of the epoxy resin and this will degrade the LEDs.

2. Storage

- The LEDs should be stored at 30°C or less and 70%RH or less after being shipped from Everlight and the storage life limits are 3 months. If the LEDs are stored for 3 months or more, they can be stored for a year in a sealed container with a nitrogen atmosphere and moisture absorbent material.
- Please avoid rapid transitions in ambient temperature, especially, in high humidity environments where condensation can occur.

3. Soldering

- Careful attention should be paid during soldering. When soldering, leave more than 3mm from solder joint to epoxy bulb, and soldering beyond the base of the tie bar is recommended.
- Recommended soldering conditions:

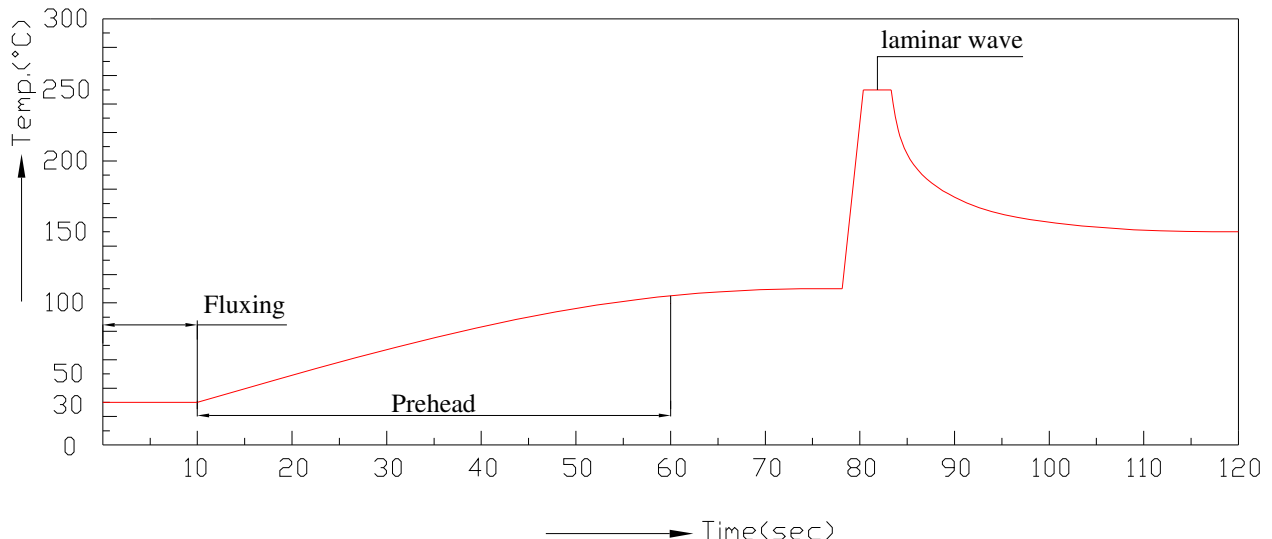
| Hand Soldering | | DIP Soldering | |
|----------------------|---|-------------------|--|
| Temp. at tip of iron | 300°C Max. (30W Max.) | Preheat temp. | 100°C Max. (60 sec Max.) |
| Soldering time | 3 sec Max. | Bath temp. & time | 260 Max., 5 sec Max |
| Distance | 3mm Min.(From solder joint to epoxy bulb) | Distance | 3mm Min. (From solder joint to epoxy bulb) |



LIGHTING FOREVER

Technical Data Sheet

334-15/X1C1-1TWA



- Avoiding applying any stress to the lead frame while the LEDs are at high temperature particularly when soldering.
- Dip and hand soldering should not be done more than one time
- After soldering the LEDs, the epoxy bulb should be protected from mechanical shock or vibration until the LEDs return to room temperature.
- A rapid-rate process is not recommended for cooling the LEDs down from the peak temperature.
- Although the recommended soldering conditions are specified in the above table, dip or handsoldering at the lowest possible temperature is desirable for the LEDs.
- Wave soldering parameter must be set and maintain according to recommended temperature and dwell time in the solder wave.

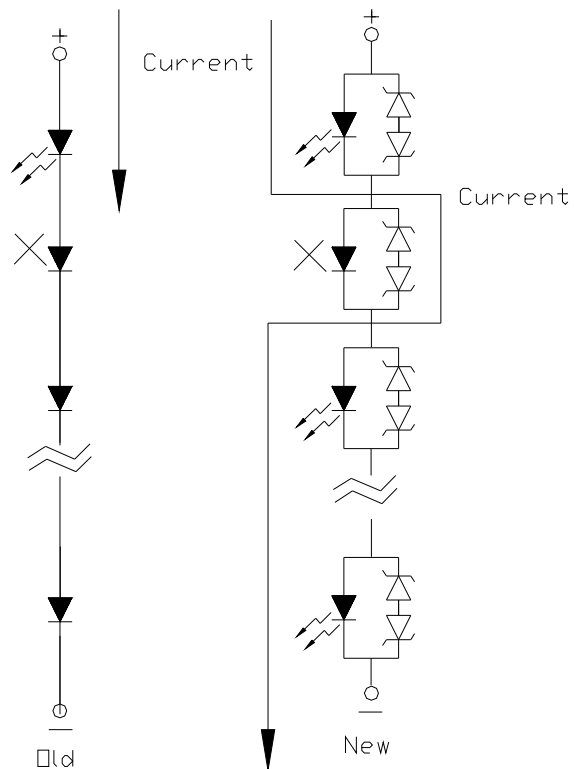
4. Cleaning

- When necessary, cleaning should occur only with isopropyl alcohol at room temperature for a duration of no more than one minute. Dry at room temperature before use.
- Do not clean the LEDs by the ultrasonic. When it is absolutely necessary, the influence of ultrasonic cleaning on the LEDs depends on factors such as ultrasonic power and the assembled condition. Ultrasonic cleaning shall be pre-qualified to ensure this will not cause damage to the LED

334-15/X1C1-1TWA

5. Circuit Protection

- Below the zener reference voltage V_z , all the current flows through LED and as the voltage rises to V_z , the zener diode “breakdown.” If the voltage tries to rise above V_z current flows through the zener branch to keep the voltage at exactly V_z .
- When the LED is connected using serial circuit, if either piece of LED is no light up but current can't flow through causing others to light down. In new design, the LED is parallel with zener diode. if either piece of LED is no light up but current can flow through causing others to light up.



6. Heat Management

- Heat management of LEDs must be taken into consideration during the design stage of LED application. The current should be de-rated appropriately by referring to the de-rating curve found in each product specification.
- The temperature surrounding the LED in the application should be controlled. Please refer to the data sheet de-rating curve.



LIGHTING FOREVER

Technical Data Sheet

334-15/X1C1-1TWA

7. ESD (Electrostatic Discharge)

- Electrostatic discharge (ESD) or surge current (EOS) can damage LEDs.
- An ESD wrist strap, ESD shoe strap or antistatic gloves must be worn whenever handling LEDs.
- All devices, equipment and machinery must be properly grounded.
- Use ion blower to neutralize the static charge which might have built up on surface of the LEDs plastic lens as a result of friction between LEDs during storage and handling.

8. Other

- Above specification may be changed without notice. EVERLIGHT will reserve authority on material change for above specification.
- When using this product, please observe the absolute maximum ratings and the instructions for using outlined in these specification sheets. EVERLIGHT assumes no responsibility for any damage resulting from use of the product which does not comply with the absolute maximum ratings and the instructions included in these specification sheets.
- These specification sheets include materials protected under copyright of EVERLIGHT corporation. Please don't reproduce or cause anyone to reproduce them without EVERLIGHT's consent.

EVERLIGHT ELECTRONICS CO., LTD.

Tel: 886-2-2267-2000, 2267-9936

Office: No 25, Lane 76, Sec 3, Chung Yang Rd,

Fax: 886-2267-6244,