



Chipsmall Limited consists of a professional team with an average of over 10 year of expertise in the distribution of electronic components. Based in Hongkong, we have already established firm and mutual-benefit business relationships with customers from,Europe,America and south Asia,supplying obsolete and hard-to-find components to meet their specific needs.

With the principle of "Quality Parts,Customers Priority,Honest Operation,and Considerate Service",our business mainly focus on the distribution of electronic components. Line cards we deal with include Microchip,ALPS,ROHM,Xilinx,Pulse,ON,Everlight and Freescale. Main products comprise IC,Modules,Potentiometer,IC Socket,Relay,Connector.Our parts cover such applications as commercial,industrial, and automotives areas.

We are looking forward to setting up business relationship with you and hope to provide you with the best service and solution. Let us make a better world for our industry!



## Contact us

Tel: +86-755-8981 8866 Fax: +86-755-8427 6832

Email & Skype: info@chipsmall.com Web: www.chipsmall.com

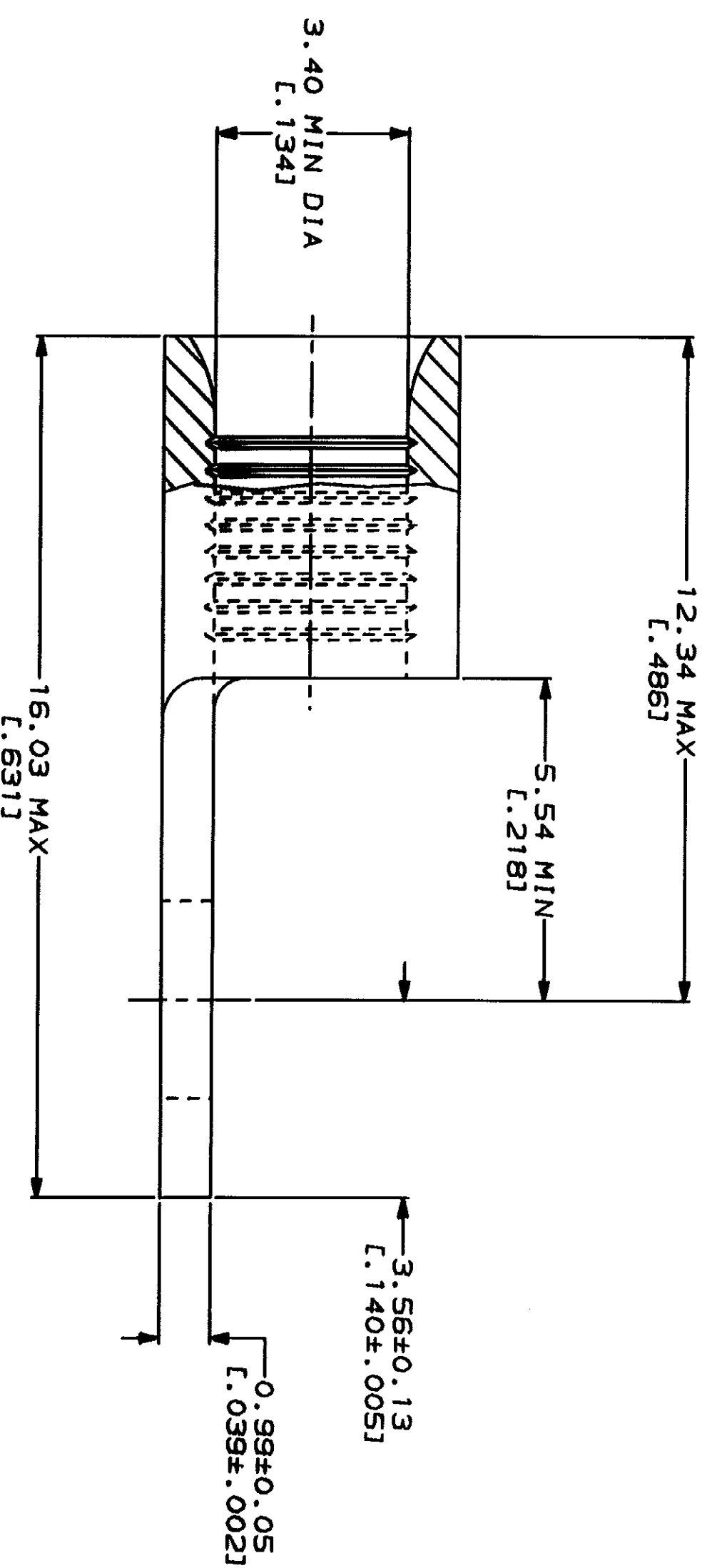
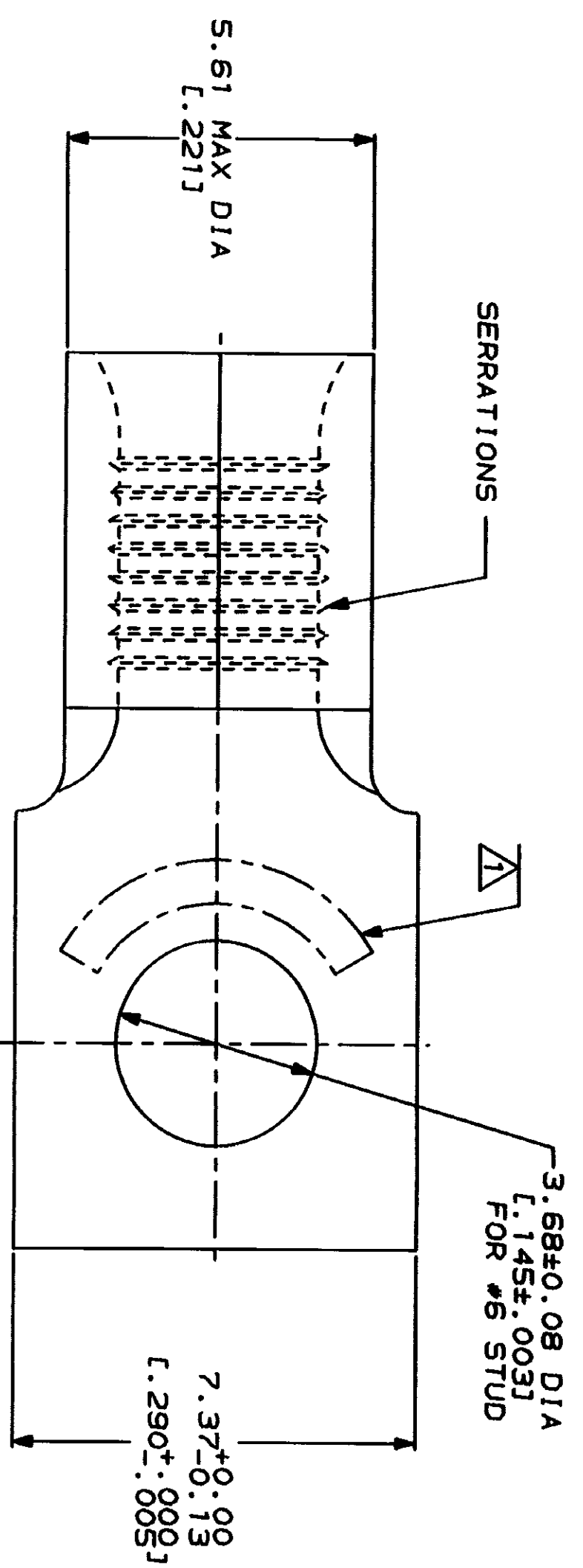
Address: A1208, Overseas Decoration Building, #122 Zhenhua RD., Futian, Shenzhen, China



**METRIOR**  
DIMENSIONS LISTED IN MM [ INCHES ]

<b>WIRE RANGE</b>	<b>E13288</b> Listed
12-10 AWG STRANDED	12-10 AWG STRANDED
<b>LR7189</b> Certified	MILITARY P/N AND CLASS
NOT CERTIFIED	NOT APPLICABLE

△ STAMP AMP 12-10\* APPROX AS SHOWN



**AMP INCORPORATED**  
**CUSTOMER SERVICE SYSTEMS**

FOR ADDITIONAL PRODUCT INFORMATION OR COPIES OF DRAWINGS AND TECHNICAL DOCUMENTS  
1-800-522-6752

FOR APPLICATION TOOLING INFORMATION  
1-800-722-1111

FOR ORDER ENTRY  
1-800-526-5142

MAX RECOMMENDED OPERATING TEMPERATURE: 170°C MAX

VOLTAGE RATING: NOT APPLICABLE

WIRE CROSS SECTIONAL AREA RANGE: 2.62-6.64mm<sup>2</sup> [5,180-13,100] CIR MILS STRANDED

DO NOT SCALE PRINT. UNLESS SPECIFIED DIMENSIONS IN MILLIMETERS - TOLERANCES ON: 1. 2 PLG DEC ± . 3 PLG DEC ± . ANGLES ± .

MATERIAL: COPPER PER ASTM B-152 ANNEALED

FINISH: TIN PLATE

0.00254 [L.000100] MIN THK PER MIL-T-10727

DR 1-29-93 TA BRINKMAN

CHK 1-29-93 DA PATTERSON

APPD 1-29-93 DE MILLER

APPD 1-29-93 JL NECKLEY

PRODUCT SPEC

APPLICATION SPEC

WEIGHT

**AMP**  
AMP Incorporated  
Harrisburg, PA 17125-3608

**TERMINAL, RECTANGULAR TONGUE, BUDGET**

SIZE: CAGE CODE 00779 DRAWING NO: 33426

SCALE: 10:1

PART NO: 33426

SHEET: 1 OF 1