



Chipsmall Limited consists of a professional team with an average of over 10 year of expertise in the distribution of electronic components. Based in Hongkong, we have already established firm and mutual-benefit business relationships with customers from,Europe,America and south Asia,supplying obsolete and hard-to-find components to meet their specific needs.

With the principle of “Quality Parts,Customers Priority,Honest Operation,and Considerate Service”,our business mainly focus on the distribution of electronic components. Line cards we deal with include Microchip,ALPS,ROHM,Xilinx,Pulse,ON,Everlight and Freescale. Main products comprise IC,Modules,Potentiometer,IC Socket,Relay,Connector.Our parts cover such applications as commercial,industrial, and automotives areas.

We are looking forward to setting up business relationship with you and hope to provide you with the best service and solution. Let us make a better world for our industry!



## Contact us

Tel: +86-755-8981 8866 Fax: +86-755-8427 6832

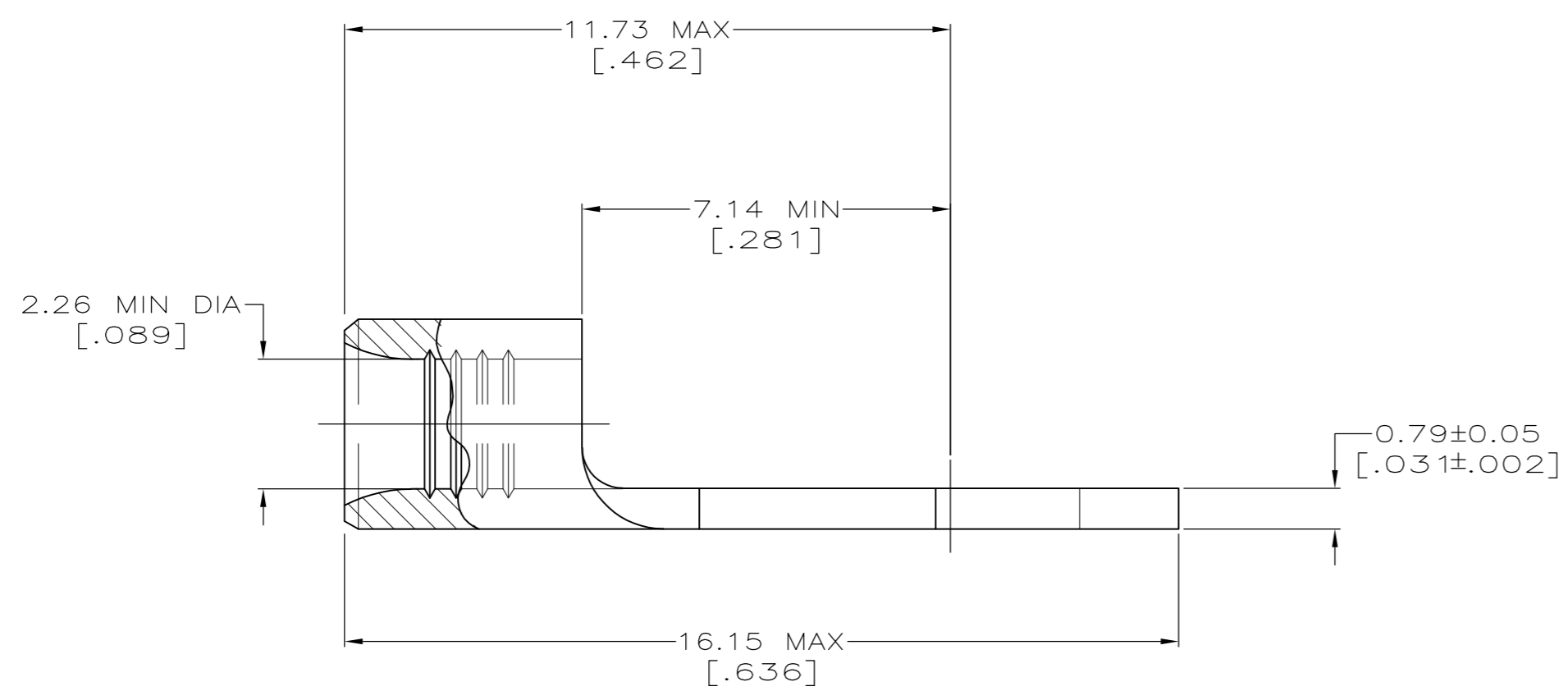
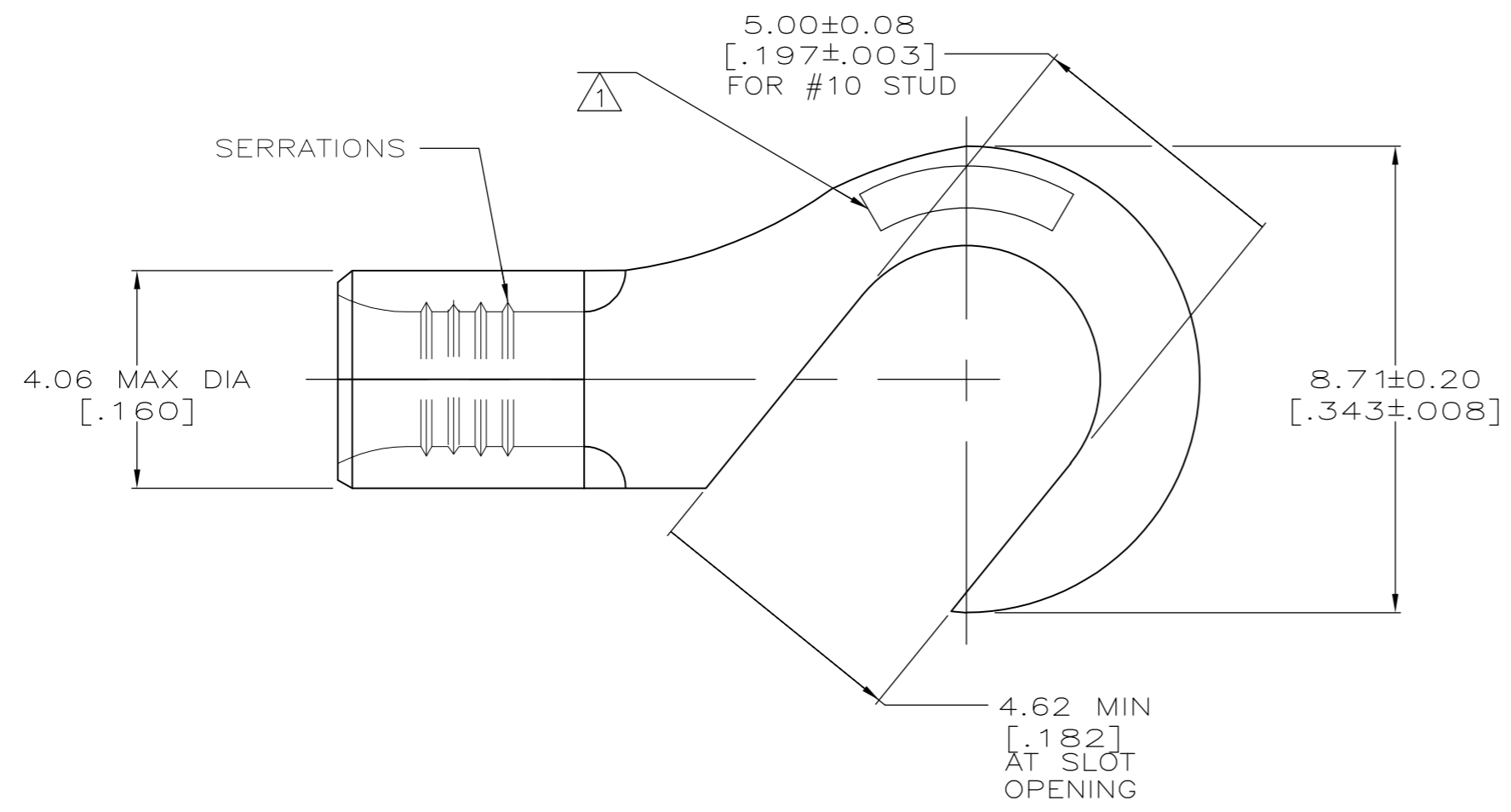
Email & Skype: info@chipsmall.com Web: www.chipsmall.com

Address: A1208, Overseas Decoration Building, #122 Zhenhua RD., Futian, Shenzhen, China



THIS DRAWING IS UNPUBLISHED. RELEASED FOR PUBLICATION  
 © COPYRIGHT BY TYCO ELECTRONICS CORPORATION. ALL INTERNATIONAL RIGHTS RESERVED.

LOC	DIST	REVISIONS					
G	14	P	LTR	DESCRIPTION	DATE	DWN	APVD
		B		REV PER ECR-10-007996	19APRIL2010	RG	TM



<b>AMP</b> WIRE RANGE	E13288 Listed
16-14 AWG STRANDED	16-14 AWG STRANDED

- 1 STAMP AMP 16-1, APPROX. AS SHOWN
- 2. RECOMMENDED OPERATING TEMPERATURE: 170°C MAX
- 3. WIRE CROSS SECTIONAL AREA RANGE: 1.04-2.62mm<sup>2</sup> [2,050-5,180 CIRCULAR MIL AREA] STRANDED
- 4 MATERIAL: COPPER PER ASTM B-152 ANNEALED
- 5 FINISH: TIN PLATE 0.00254 [.000100] MIN THK PER ASTM-B545

1000	LOOSE PIECE	33437
QTY	PACKAGE TYPE	PART NO.

THIS DRAWING IS A CONTROLLED DOCUMENT.		DWN R.GRZYBOWSKI 19APR2010	Tyco Electronics Corporation Harrisburg, PA 17105-3608	
DIMENSIONS: mm		CHK T.MICHIELUTI 19APRIL2010	NAME TERMINAL, HOOK TONGUE BUDGET	
TOLERANCES UNLESS OTHERWISE SPECIFIED:		APVD M.PERCHERKE 19APRIL2010	DRAWING NO A2 00779 C=33437	
0 PLC ± -		PRODUCT SPEC	RESTRICTED TO	
1 PLC ± -		APPLICATION SPEC	-	
2 PLC ± -		WEIGHT	-	
3 PLC ± -		CUSTOMER DRAWING	SCALE 1:1 SHEET 1 OF 1 REV B	
4 PLC ± -				
4 ANGLES ± -				
FINISH				
4				
5				