



Chipsmall Limited consists of a professional team with an average of over 10 year of expertise in the distribution of electronic components. Based in Hongkong, we have already established firm and mutual-benefit business relationships with customers from,Europe,America and south Asia,supplying obsolete and hard-to-find components to meet their specific needs.

With the principle of “Quality Parts,Customers Priority,Honest Operation,and Considerate Service”,our business mainly focus on the distribution of electronic components. Line cards we deal with include Microchip,ALPS,ROHM,Xilinx,Pulse,ON,Everlight and Freescale. Main products comprise IC,Modules,Potentiometer,IC Socket,Relay,Connector.Our parts cover such applications as commercial,industrial, and automotives areas.

We are looking forward to setting up business relationship with you and hope to provide you with the best service and solution. Let us make a better world for our industry!



Contact us

Tel: +86-755-8981 8866 Fax: +86-755-8427 6832

Email & Skype: info@chipsmall.com Web: www.chipsmall.com

Address: A1208, Overseas Decoration Building, #122 Zhenhua RD., Futian, Shenzhen, China

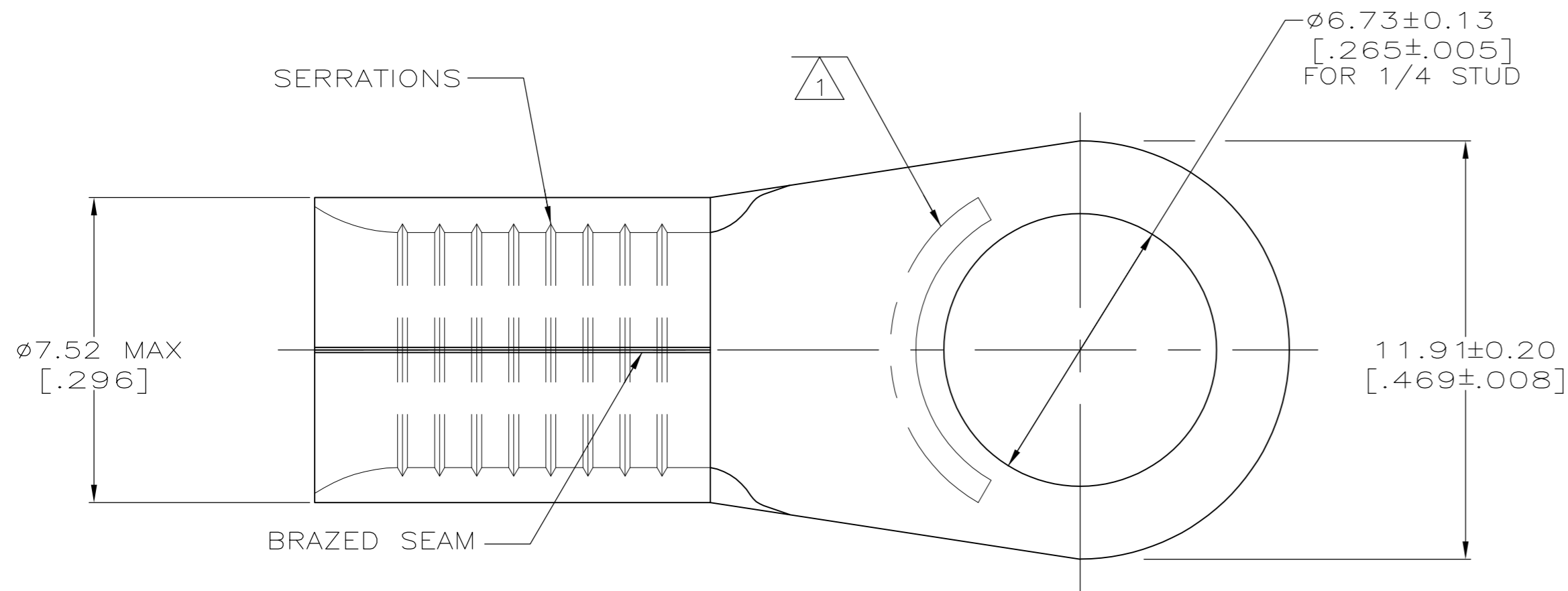


THIS DRAWING IS UNPUBLISHED. RELEASED FOR PUBLICATION
 © COPYRIGHT - By - ALL RIGHTS RESERVED.

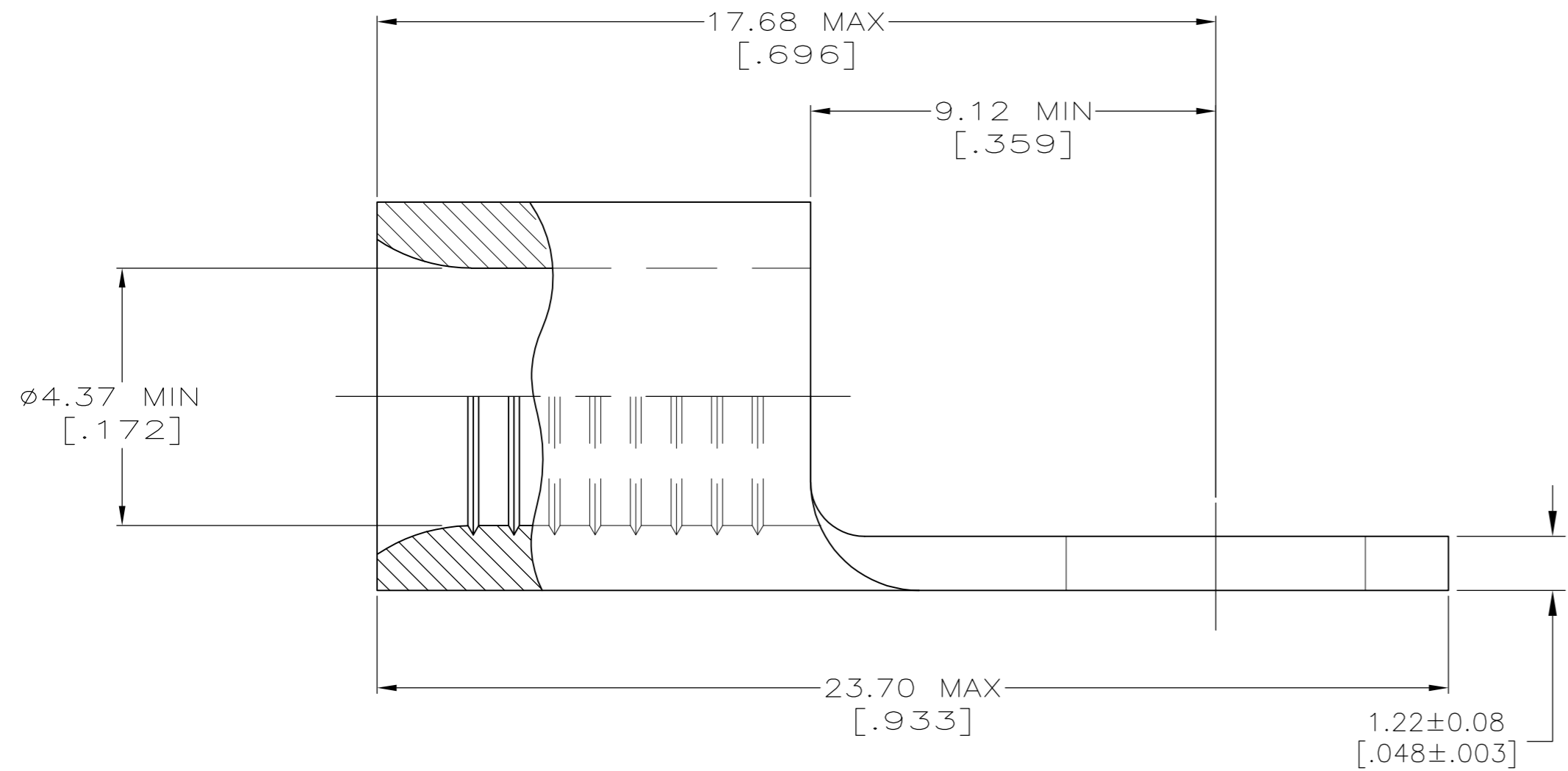
LOC		DIST		REVISIONS			
P	LTR	DESCRIPTION		DATE	DWN	APVD	
	T2	REVISED PER ECO-11-004587		11MAR11	RK	HMR	

AMP
WIRE RANGE

8 AWG
SOLID OR STRANDED



- 1 STAMP AMP 8* APPROX AS SHOWN
- 2 UL LISTED E13288, 8 AWG STRANDED
- 3 CSA CERTIFIED LR7189, 8 AWG SOLID OR STRANDED
- 4 MILITARY MS20659-141 CLASS 2
- 5 SUPERSEDED BY 8-33461-1
- 6 TIN PLATE 0.00254 [.000100] MIN THK PER ASTM B545
- 7 TIN-LEAD (60-40) PLATE 0.00254 [.000100] MIN THK PER SAE-AMS-P-81728
- 9 PRELIMINARY - NOT FOR PRODUCTION



APPROVALS	FINISH	QTY	PACKAGE TYPE	PART NO.
---	6	25	LOOSE PIECE, BAG	8-33461-5
2 3	6	50	LOOSE PIECE, BOX	9 8-33461-2
2 3	6	100	LOOSE PIECE, BOX	8-33461-1
2 3	6	1000	33461 TAPE MOUNTED ON 30.48[1.200] CENTERS	2-33461-3
2 3 4	6	1500	33461 TAPE MOUNTED ON 15.24[.600] CENTERS	2-33461-2
---	7	50	LOOSE PIECE	9 33461-1
2 3 4	6	100	LOOSE PIECE	33461

AMP INCORPORATED
CUSTOMER SERVICE SYSTEMS

MAX RECOMMENDED OPERATING TEMPERATURE: 170°C MAX

VOLTAGE RATING: N/A

CIRCULAR MIL AREA: 6.64-10.5mm² [13,100-20,800] SOLID OR STRANDED

FOR ADDITIONAL PRODUCT INFORMATION OR COPIES OF DRAWINGS AND TECHNICAL DOCUMENTS: PRODUCT INFORMATION CENTER 1-800-522-6752

FOR APPLICATION TOOLING INFORMATION: TOOLING ASSISTANCE CENTER 1-800-722-1111

FOR ORDER ENTRY: 1-800-526-5142

THIS DRAWING IS A CONTROLLED DOCUMENT FOR AMP INCORPORATED. IT IS SUBJECT TO CHANGE AND THE CONTROLLING ENGINEERING ORGANIZATION SHOULD BE CONTACTED FOR THE LATEST REVISION.

THIS DRAWING IS A CONTROLLED DOCUMENT.

DIMENSIONS: INCHES

TOLERANCES UNLESS OTHERWISE SPECIFIED:

0 PLC	±	-
1 PLC	±	-
2 PLC	±	-
3 PLC	±	-
4 PLC	±	-
ANGLES	±	-

MATERIAL: COPPER PER ASTM B-152 ANNEALED

FINISH: -

WEIGHT: -

CUSTOMER DRAWING

SCALE: 8:1

SHEET: 1 OF 1

REV: T2

TE Connectivity

TERMINAL, RING TONGUE, SOLISTRAND

SIZE: A2

CAGE CODE: 00779

DRAWING NO: C-33461