



Chipsmall Limited consists of a professional team with an average of over 10 year of expertise in the distribution of electronic components. Based in Hongkong, we have already established firm and mutual-benefit business relationships with customers from,Europe,America and south Asia,supplying obsolete and hard-to-find components to meet their specific needs.

With the principle of “Quality Parts,Customers Priority,Honest Operation,and Considerate Service”,our business mainly focus on the distribution of electronic components. Line cards we deal with include Microchip,ALPS,ROHM,Xilinx,Pulse,ON,Everlight and Freescale. Main products comprise IC,Modules,Potentiometer,IC Socket,Relay,Connector.Our parts cover such applications as commercial,industrial, and automotives areas.

We are looking forward to setting up business relationship with you and hope to provide you with the best service and solution. Let us make a better world for our industry!



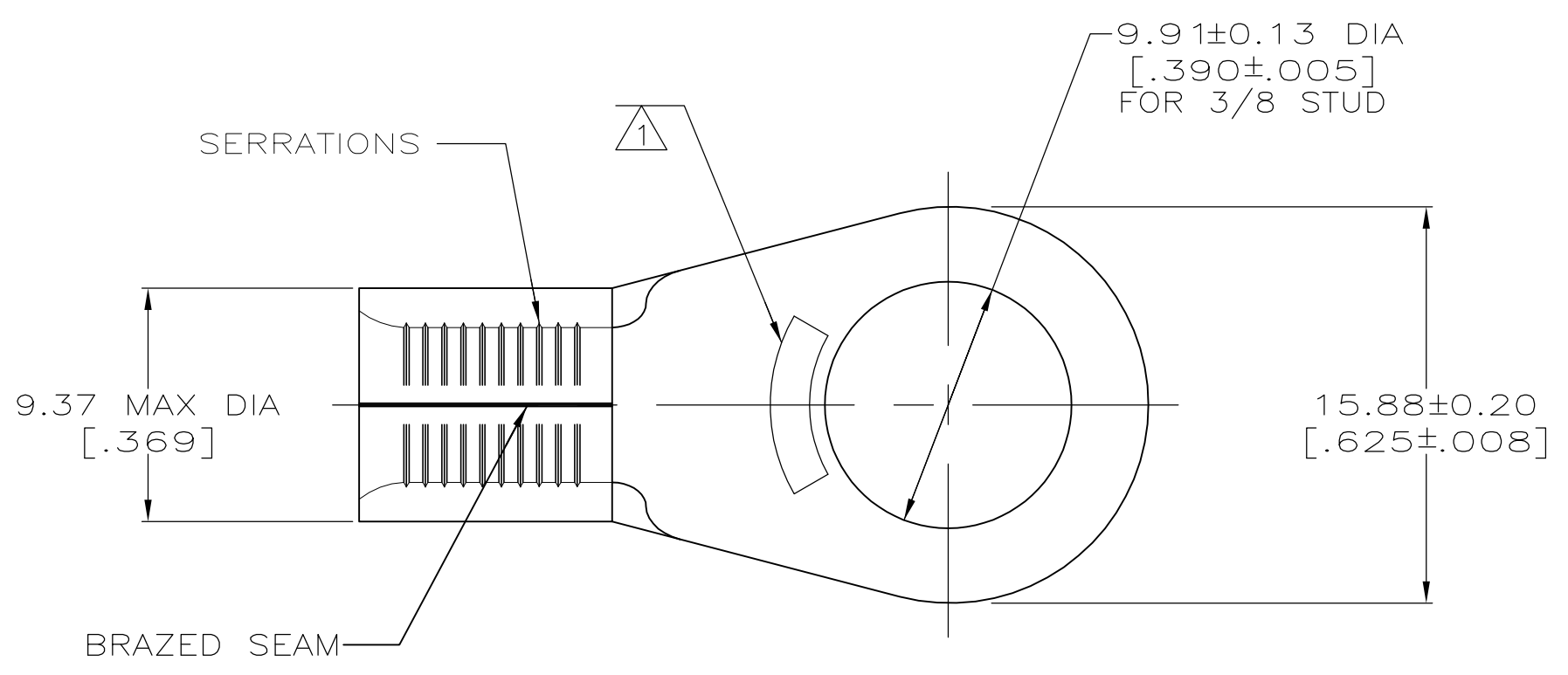
Contact us

Tel: +86-755-8981 8866 Fax: +86-755-8427 6832

Email & Skype: info@chipsmall.com Web: www.chipsmall.com

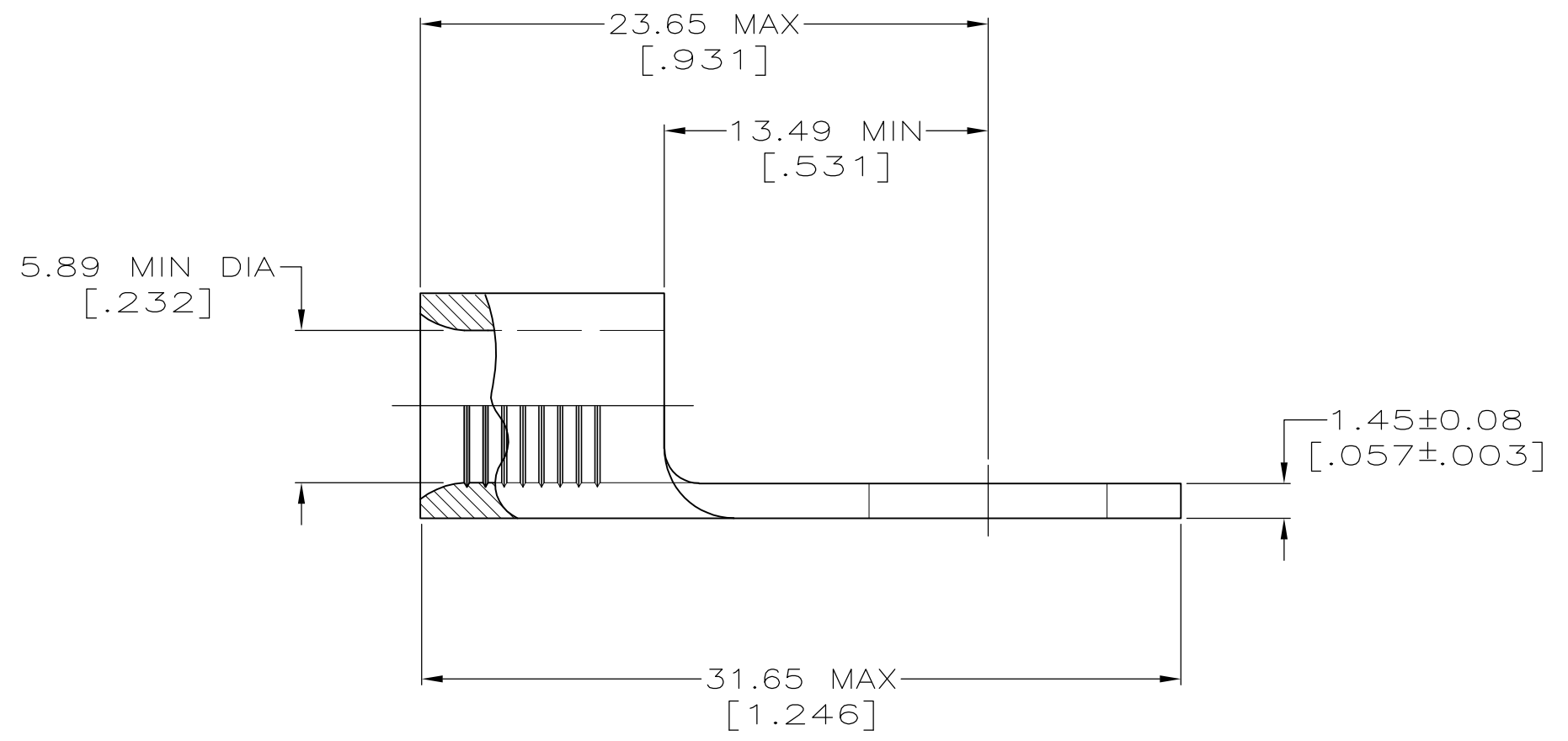
Address: A1208, Overseas Decoration Building, #122 Zhenhua RD., Futian, Shenzhen, China





AMP WIRE RANGE	E13288 Listed
6 AWG SOLID OR STRANDED	6 AWG STRANDED
LR7189 Certified	MILITARY P/N AND CLASS
6 AWG SOLID OR STRANDED	MS 20659-110 CLASS 2 33467 ONLY

STAMP AMP 6* APPROX AS SHOWN



25	LOOSE PIECE, BAG	8-33467-5
25	LOOSE PIECE, BOX	8-33467-3
500	LOOSE PIECE, BOX	2-33467-4
750	TAPE MOUNTED	2-33467-3
-	LOOSE PIECE	33467
QUANTITY	PACKAGE TYPE	PART NO

AMP INCORPORATED CUSTOMER SERVICE SYSTEMS		MAX RECOMMENDED OPERATING TEMPERATURE: 170° C MAX
FOR ADDITIONAL PRODUCT INFORMATION OR COPIES OF DRAWINGS AND TECHNICAL DOCUMENTS	PRODUCT INFORMATION CENTER 1-800-522-6752	VOLTAGE RATING: NOT APPLICABLE
FOR APPLICATION TOOLING INFORMATION	TOOLING ASSISTANCE CENTER 1-800-722-1111	WIRE CROSS SECTIONAL AREA RANGE: 10.5-16.8mm ² [20,800-33,100] CIR MILS SOLID OR STRANDED
FOR ORDER ENTRY	1-800-526-5142	

THIS DRAWING IS A CONTROLLED DOCUMENT.		DWN TA BRINKMAN 3-24-93	TE Connectivity	
DIMENSIONS: mm [INCHES]		CHK DA PATTERSON 3-24-93	NAME DE MILLER	
TOLERANCES UNLESS OTHERWISE SPECIFIED: 0 PLC ± - 1 PLC ± - 2 PLC ± - 3 PLC ± - 4 PLC ± - ANGLES ± ± -		APVD DE MILLER 3-24-93	PRODUCT SPEC	
MATERIAL COPPER PER ASTM B-152 ANNEALED		FINISH TIN PLATE 0.0025±[.000100] MIN THK PER MIL-1-10727	APPLICATION SPEC	RESTRICTED TO
		WEIGHT -	SIZE A2	CAGE CODE 00779
		CUSTOMER DRAWING	DRAWING NO G-33467	SCALE 4:1
			SHEET 1 OF 1	REV M2