



Chipsmall Limited consists of a professional team with an average of over 10 year of expertise in the distribution of electronic components. Based in Hongkong, we have already established firm and mutual-benefit business relationships with customers from,Europe,America and south Asia,supplying obsolete and hard-to-find components to meet their specific needs.

With the principle of “Quality Parts,Customers Priority,Honest Operation,and Considerate Service”,our business mainly focus on the distribution of electronic components. Line cards we deal with include Microchip,ALPS,ROHM,Xilinx,Pulse,ON,Everlight and Freescale. Main products comprise IC,Modules,Potentiometer,IC Socket,Relay,Connector.Our parts cover such applications as commercial,industrial, and automotives areas.

We are looking forward to setting up business relationship with you and hope to provide you with the best service and solution. Let us make a better world for our industry!



Contact us

Tel: +86-755-8981 8866 Fax: +86-755-8427 6832

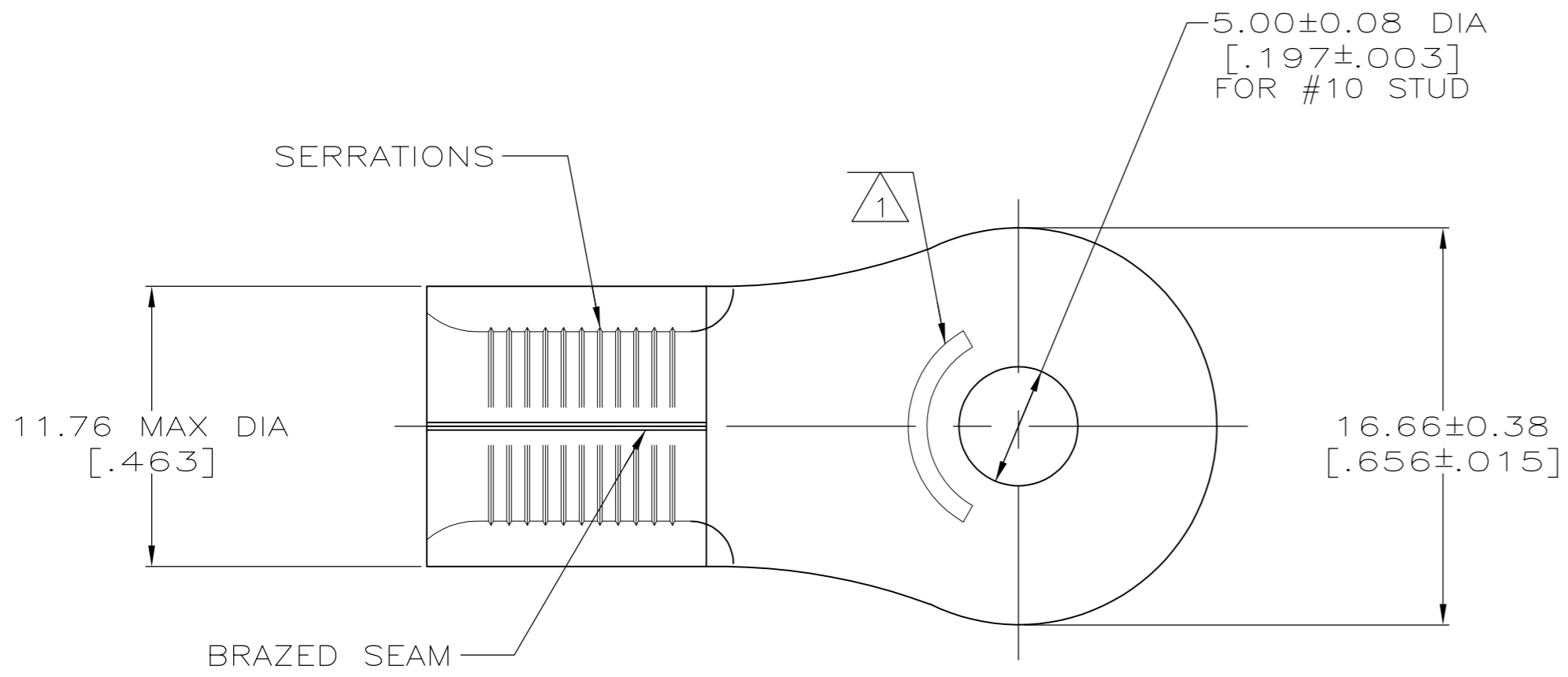
Email & Skype: info@chipsmall.com Web: www.chipsmall.com

Address: A1208, Overseas Decoration Building, #122 Zhenhua RD., Futian, Shenzhen, China



THIS DRAWING IS UNPUBLISHED. RELEASED FOR PUBLICATION
 © COPYRIGHT - By - ALL RIGHTS RESERVED.

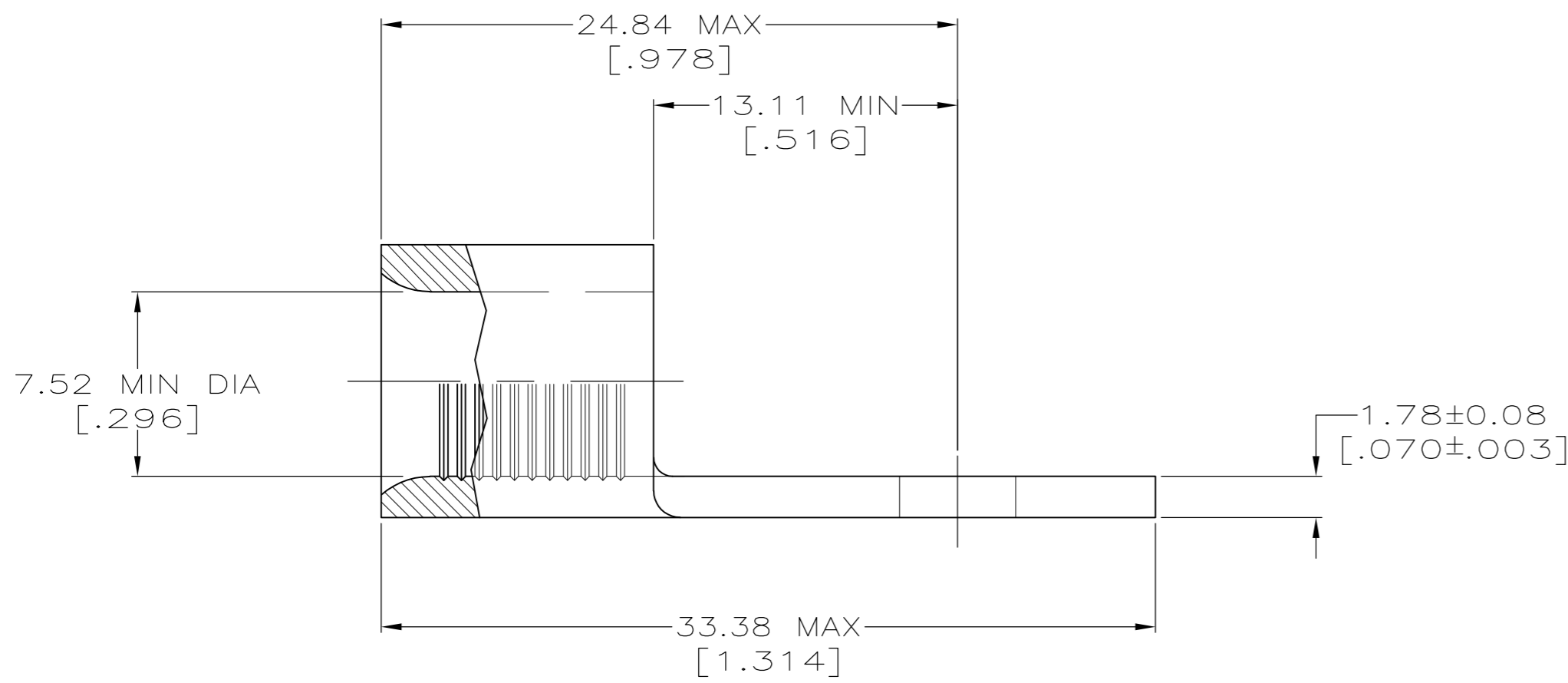
LOC	DIST	REVISIONS					
		P	LTR	DESCRIPTION	DATE	DWN	APVD
G	14		H2	REVISED PER ECO-11-004917	11MAR11	RK	HMR



AMP
WIRE RANGE

4 AWG
SOLID OR STRANDED

- 1 STAMP AMP 4* APPROX AS SHOWN
- 2 UL LISTED E13288, 4 AWG STRANDED
- 3 CSA CERTIFIED LR7189, 4 AWG SOLID OR STRANDED
- 4 TIN PLATE 0.00254 [.000100] MIN THK PER ASTM B545
- 5 TIN-LEAD (60-40) PLATE 0.00254 [.000100] MIN THK PER SAE-AMS-P-81728
- 7 PRELIMINARY - NOT FOR PRODUCTION



APPROVALS	FINISH	QTY	PACKAGE TYPE	PART NO.
2 3	4	25	LOOSE PIECE, BOX	8-33468-3
---	5	25	LOOSE PIECE	7 33468-1
2 3	4	100	LOOSE PIECE	33468

THIS DRAWING IS A CONTROLLED DOCUMENT.		DWN TA BRINKMAN 3-29-93	TE TE Connectivity	
DIMENSIONS: INCHES		CHK DA PATTERSON 3-29-93		
TOLERANCES UNLESS OTHERWISE SPECIFIED:		APVD JL MECKLEY 3-29-93	NAME TERMINAL, RING TONGUE, SOLISTRAND	
0 PLC ± -	1 PLC ± -	PRODUCT SPEC	SIZE A2	
2 PLC ± -	3 PLC ± -	APPLICATION SPEC	CAGE CODE 00779	DRAWING NO C-33468
4 PLC ± -	ANGLES ± -	FINISH	WEIGHT -	RESTRICTED TO -
MATERIAL ASTM B152	SEE TABLE	CUSTOMER DRAWING	SCALE 4:1	SHEET 1 of 1
			REV H2	