



Chipsmall Limited consists of a professional team with an average of over 10 year of expertise in the distribution of electronic components. Based in Hongkong, we have already established firm and mutual-benefit business relationships with customers from,Europe,America and south Asia,supplying obsolete and hard-to-find components to meet their specific needs.

With the principle of “Quality Parts,Customers Priority,Honest Operation,and Considerate Service”,our business mainly focus on the distribution of electronic components. Line cards we deal with include Microchip,ALPS,ROHM,Xilinx,Pulse,ON,Everlight and Freescale. Main products comprise IC,Modules,Potentiometer,IC Socket,Relay,Connector.Our parts cover such applications as commercial,industrial, and automotives areas.

We are looking forward to setting up business relationship with you and hope to provide you with the best service and solution. Let us make a better world for our industry!



## Contact us

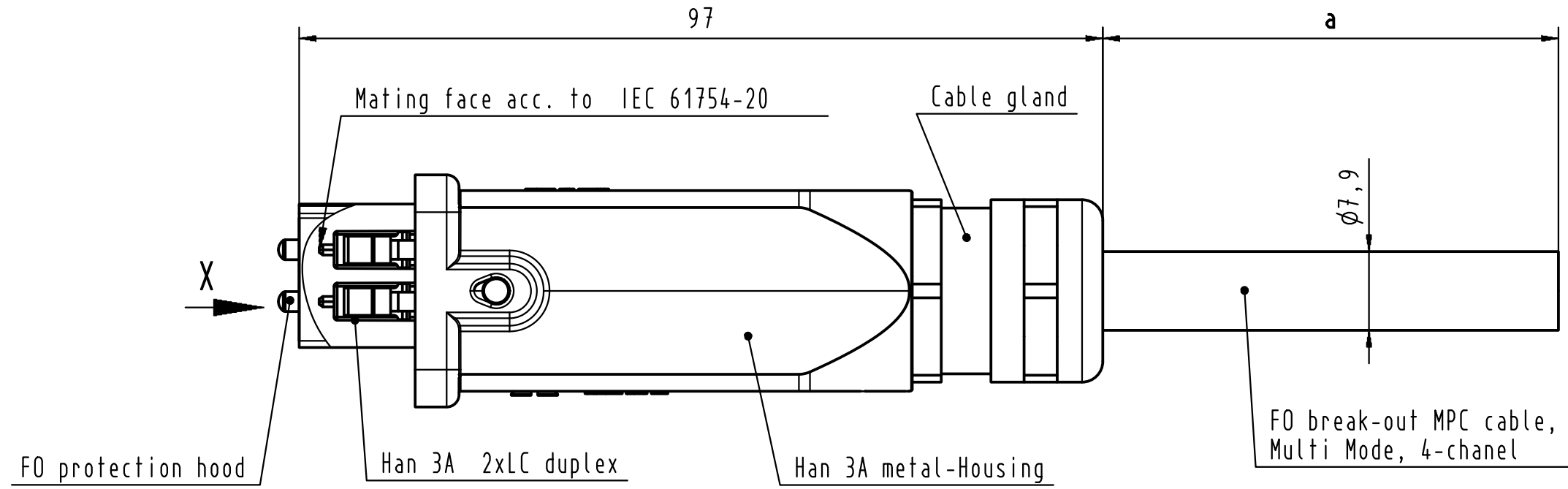
Tel: +86-755-8981 8866 Fax: +86-755-8427 6832

Email & Skype: info@chipsmall.com Web: www.chipsmall.com

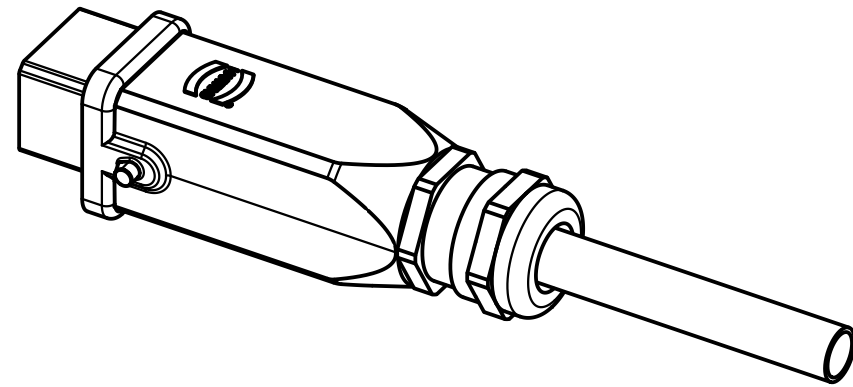
Address: A1208, Overseas Decoration Building, #122 Zhenhua RD., Futian, Shenzhen, China



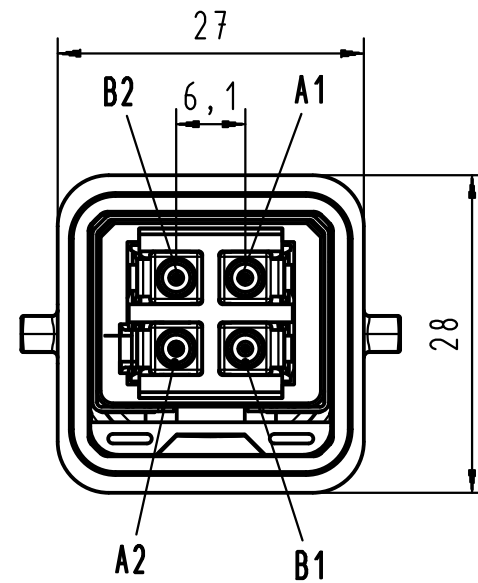
Alle Rechte vorbehalten/ All rights reserved



X  
(without protection hood)



**Loading-Plan**



- A1 gray 1 (interior-blue)
- B1 gray 2 (interior-orange)
- A2 gray 3 (interior-green)
- B2 gray 4 (interior-brown)

**For Information Only**  
won't be replaced when changed

-Protection level: IP67/65  
-Temperature range: -30°C ...+70°C

9	FO break-out MPC cable, MM, 4-chanel	33 54 111 300 0002	300 m
8	FO break-out MPC cable, MM, 4-chanel	33 54 111 100 0002	100 m
7	FO break-out MPC cable, MM, 4-chanel	33 54 111 060 0002	60 m
6	FO break-out MPC cable, MM, 4-chanel	33 54 111 050 0002	50 m
5	FO break-out MPC cable, MM, 4-chanel	33 54 111 040 0002	40 m
4	FO break-out MPC cable, MM, 4-chanel	33 54 111 020 0002	20 m
3	FO break-out MPC cable, MM, 4-chanel	33 54 111 010 0002	10 m
2	FO break-out MPC cable, MM, 4-chanel	33 54 111 005 0002	5 m
1	FO break-out MPC cable, MM, 4-chanel	33 54 111 001 0002	1 m

Cont No.	Type of cable	Part-No.	Dim. a
----------	---------------	----------	--------

All Dimensions in mm Original Size DIN A 3	Techn. Character.			Nicht tolerierte Maßel/Free size tolerances	
		Dat.	Name	Maßstab/Scale	
	Detail.	14.10.09	MS	<b>Fiber optic cable assembly</b> <b>1xHan 3A 2xLC DUPLEX, metal</b> <b>Multi Mode, 50 µm</b>	
	Insp.	14.10.09	RA		
	Stand.				
DRS557A	HARTING Electronics GmbH & Co. KG				<b>TB 33 54 111 xxx 0002</b>
Mod.	Dat.	Name	D-32339 ESPELKAMP		
					Blatt/ page