



Chipsmall Limited consists of a professional team with an average of over 10 year of expertise in the distribution of electronic components. Based in Hongkong, we have already established firm and mutual-benefit business relationships with customers from,Europe,America and south Asia,supplying obsolete and hard-to-find components to meet their specific needs.

With the principle of “Quality Parts,Customers Priority,Honest Operation,and Considerate Service”,our business mainly focus on the distribution of electronic components. Line cards we deal with include Microchip,ALPS,ROHM,Xilinx,Pulse,ON,Everlight and Freescale. Main products comprise IC,Modules,Potentiometer,IC Socket,Relay,Connector.Our parts cover such applications as commercial,industrial, and automotives areas.

We are looking forward to setting up business relationship with you and hope to provide you with the best service and solution. Let us make a better world for our industry!



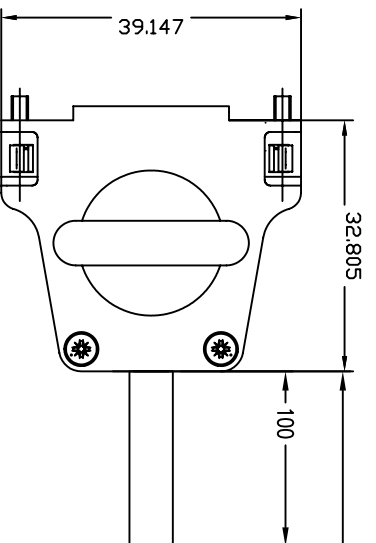
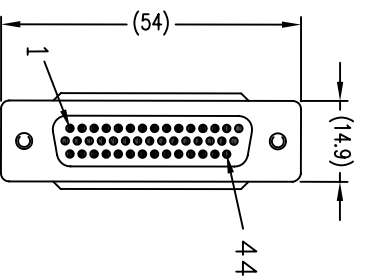
Contact us

Tel: +86-755-8981 8866 Fax: +86-755-8427 6832

Email & Skype: info@chipsmall.com Web: www.chipsmall.com

Address: A1208, Overseas Decoration Building, #122 Zhenhua RD., Futian, Shenzhen, China



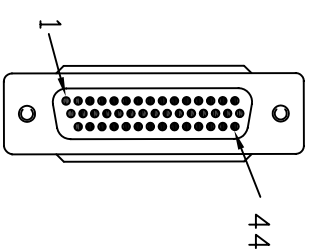
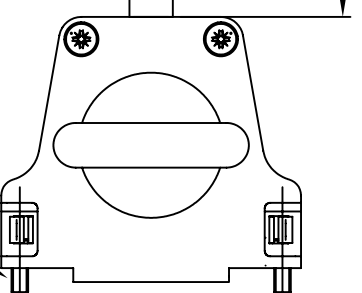


CWK/YR-XXXXX-X-XX
33 56 212 XXX 00XX

LABEL

WIRING TABLE

24P×26AWG double shield HF cable



HD D-sub 44P male connector

#4-40 UNC screw

HD D-sub 44P male connector

PAIR No.	C.1	C.2	PAIR No.	C.1	C.2
1	1	1	14	25	25
2	2	2	15	26	26
3	3	3	16	27	27
4	4	4	17	28	28
5	5	5	18	29	29
6	6	6	19	30	30
7	7	7	20	31	31
8	8	8	21	32	32
9	9	9	22	33	33
10	10	10	23	34	34
11	11	11	24	35	35
12	12	12	25	36	36
13	13	13	26	37	37
14	14	14	27	38	38
15	15	15	28	39	39
16	16	16	29	40	40
17	17	17	30	41	41
18	18	18	31	42	42
19	19	19	32	43	43
20	20	20	33	44	44
21	21	21	34	NC	NC
22	22	22	35	NC	NC
23	23	23	36	NC	NC
24	24	24	37	NC	NC
			38	NC	NC
			39	NC	NC
			40	NC	NC
			41	NC	NC
			42	NC	NC
			43	NC	NC
			44	NC	NC
				Shell/Shell	

- NOTES:
- 1.) CABLE MUST BE PERFORMED CONTINUITY TEST AND HI-POT TEST.
 - 2.) WHITE LABEL CONTENT:

DATE CODE & LOT INFORMATION
HARTING P/N

- 3.) THE CABLE SHOULD BE PACKED BY THE PLASTIC BAG AND STICK THE LABEL WITH P/N CONTENT ON IT, THEN PUT IT INTO THE CARTON (THE QTY ACCORDING TO ACTUAL CONDITION)
- 4.) EXPORT CARTON SHOULD BE STICKED THE LABEL WITH P/N AND QTY CONTENT.

33 56 212 200 0036	20 m
33 56 212 100 0035	10 m
33 56 212 050 0034	5 m
33 56 212 010 0033	1 m
33 56 212 005 0032	0.5 m

All Dimensions in mm Original Size DIN A 3		Techn. Character.		Free size tolerances	
		Part-No.		Dim.L	

Mod.	Da.t.	Name	Techn. Character.			Scale	Free size tolerances	
			Detail	Dat.	Name	/	Dim.L	
			Insp.					
			Stand.					
			ZHUHAI HARTING LIMITED				Sub	Page
							TB	33 56 0006.00