



Chipsmall Limited consists of a professional team with an average of over 10 year of expertise in the distribution of electronic components. Based in Hongkong, we have already established firm and mutual-benefit business relationships with customers from,Europe,America and south Asia,supplying obsolete and hard-to-find components to meet their specific needs.

With the principle of “Quality Parts,Customers Priority,Honest Operation,and Considerate Service”,our business mainly focus on the distribution of electronic components. Line cards we deal with include Microchip,ALPS,ROHM,Xilinx,Pulse,ON,Everlight and Freescale. Main products comprise IC,Modules,Potentiometer,IC Socket,Relay,Connector.Our parts cover such applications as commercial,industrial, and automotives areas.

We are looking forward to setting up business relationship with you and hope to provide you with the best service and solution. Let us make a better world for our industry!



Contact us

Tel: +86-755-8981 8866 Fax: +86-755-8427 6832

Email & Skype: info@chipsmall.com Web: www.chipsmall.com

Address: A1208, Overseas Decoration Building, #122 Zhenhua RD., Futian, Shenzhen, China



3M™ D Sub EMI Junction Shell

Metal



- Provides EMI/ESD protection similar to aluminium die cast
- Easy assembly reduces time and labor to ensure low applied cost
- Optional thumbscrew kit
- Provides option in grounding for discrete wire applications
- Light weight, compact design
- See the Regulatory Information Appendix (RIA) in the “RoHS compliance” section of www.3Mconnectors.com for compliance information

Date Modified: May 13, 2015

TS-0036-G
Sheet 1 of 2

Physical

Shell and Hardware:

Material: Steel

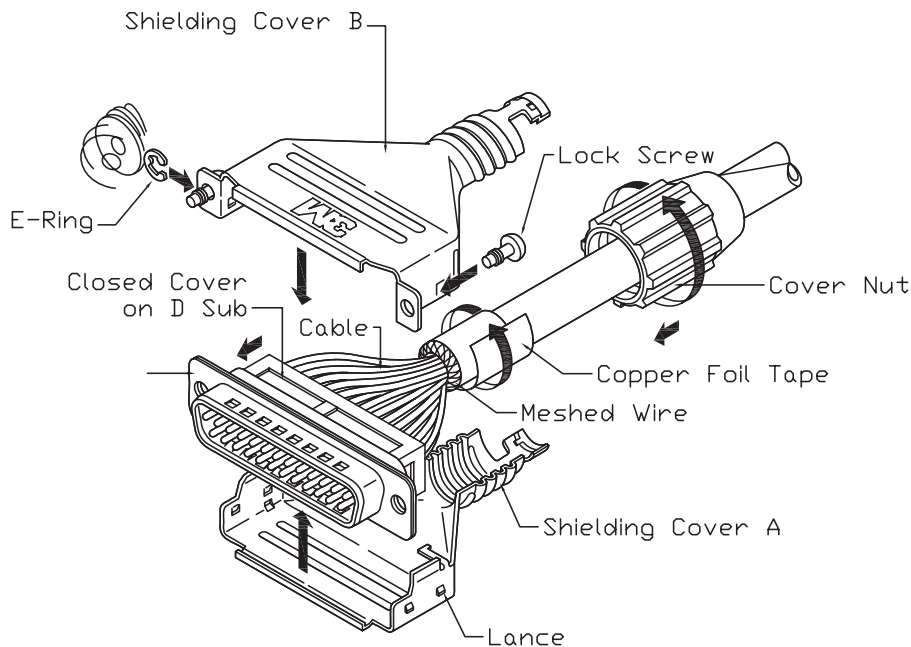
Plating: Nickel

Cover Nut:

Material: Unfilled Thermoplastic (ABS)

Flammability: UL 94V-0

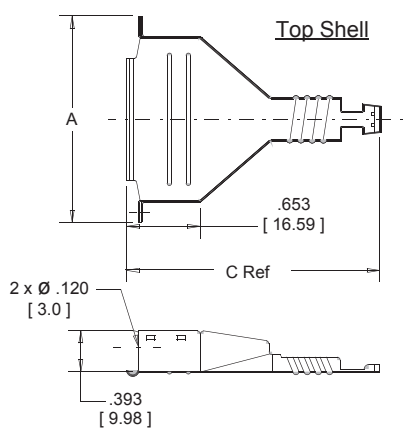
Color: Black



3M™ D Sub EMI Junction Shell

Metal

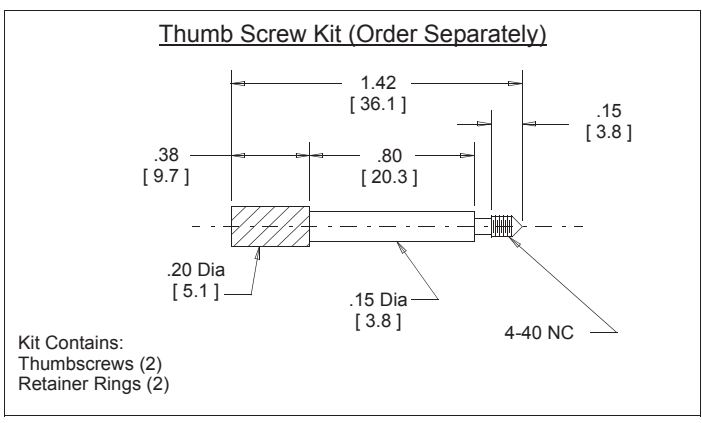
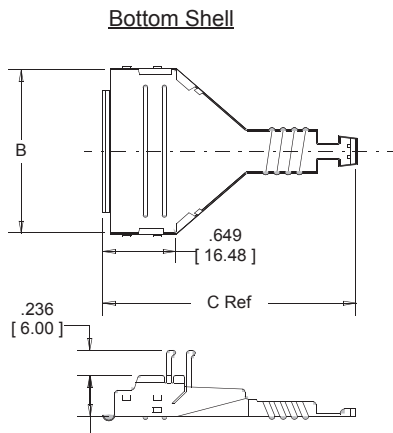
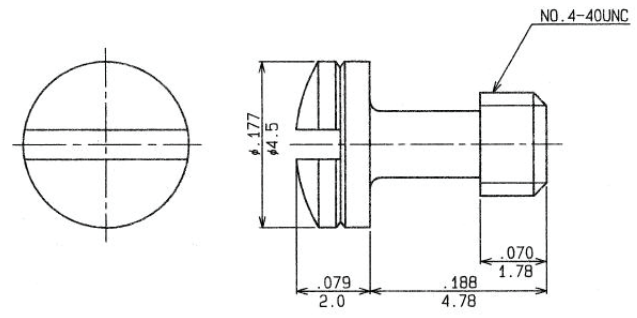
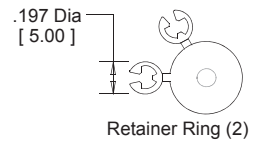
Connector Size	Dimensions						Recommended Cable size OD ±.01
	A	B	C Ref	D	E [± .03]	F	
09	1.18 [30.0]	0.76 [19.4]	1.65 [41.9]	0.54 [13.6]	0.29 [7.3]	0.75 [18.9]	0.28 [7.0]
15	1.50 [38.0]	1.09 [27.6]	1.85 [46.9]	0.54 [13.6]	0.34 [8.7]	0.75 [18.9]	0.33 [8.5]
25	2.05 [52.0]	1.63 [41.4]	2.24 [57.0]	0.65 [16.4]	0.43 [10.8]	0.98 [24.9]	0.42 [10.6]
37	2.68 [68.0]	2.28 [57.8]	2.78 [70.6]	0.74 [18.8]	0.48 [12.2]	1.10 [28.0]	0.47 [12.0]



Inch [mm]

Tolerance Unless Noted		
Inch	.0	.00
Inch	±.1	±.01
		±.005

[] Dimensions for Reference Only



Note: The 3M™ 3341-7 Thumb Screw contains lead in the base material, therefore RIA E5 & C3 apply when using this hardware.

Ordering Information

Junction Shell (RIA E1 & C1 Apply)
3357 - 92XX

Thumb Screw Kit (RIA E5 & C3 Apply)
3341-7
Retainer Ring (RIA E1 & C1 Apply)
3808-ER

Connector Size
09 = 9 Position
15 = 15 Position
25 = 25 Position
37 = 37 Position

TS-0036-G
Sheet 2 of 2

Important Notice

All statements, technical information, and recommendations related to 3M's products are based on information believed to be reliable, but the accuracy or completeness is not guaranteed. Before using this product, you must evaluate it and determine if it is suitable for your intended application. You assume all risks and liability associated with such use. Any statements related to the product which are not contained in 3M's current publications, or any contrary statements contained on your purchase order shall have no force or effect unless expressly agreed upon, in writing, by an authorized officer of 3M.

Warranty; Limited Remedy; Limited Liability.

This product will be free from defects in material and manufacture for a period of one (1) year from the time of purchase. **3M MAKES NO OTHER WARRANTIES INCLUDING, BUT NOT LIMITED TO, ANY IMPLIED WARRANTY OF MERCHANTABILITY OR FITNESS FOR A PARTICULAR PURPOSE.** If this product is defective within the warranty period stated above, your exclusive remedy shall be, at 3M's option, to replace or repair the 3M product or refund the purchase price of the 3M product. **Except where prohibited by law, 3M will not be liable for any direct, indirect, special, incidental or consequential loss or damage arising from this 3M product, regardless of the legal theory asserted.**

**Electronics Materials Solutions Division**

6801 River Place Blvd.
Austin, TX 78726-9000
U.S.A.
1-800-225-5373
www.3Mconnectors.com

Please recycle. Printed in USA.
© 3M 2015. All rights reserved.
RIA-2217B-E

3M is a trademark of 3M Company.