



Chipsmall Limited consists of a professional team with an average of over 10 year of expertise in the distribution of electronic components. Based in Hongkong, we have already established firm and mutual-benefit business relationships with customers from,Europe,America and south Asia,supplying obsolete and hard-to-find components to meet their specific needs.

With the principle of “Quality Parts,Customers Priority,Honest Operation,and Considerate Service”,our business mainly focus on the distribution of electronic components. Line cards we deal with include Microchip,ALPS,ROHM,Xilinx,Pulse,ON,Everlight and Freescale. Main products comprise IC,Modules,Potentiometer,IC Socket,Relay,Connector.Our parts cover such applications as commercial,industrial, and automotives areas.

We are looking forward to setting up business relationship with you and hope to provide you with the best service and solution. Let us make a better world for our industry!



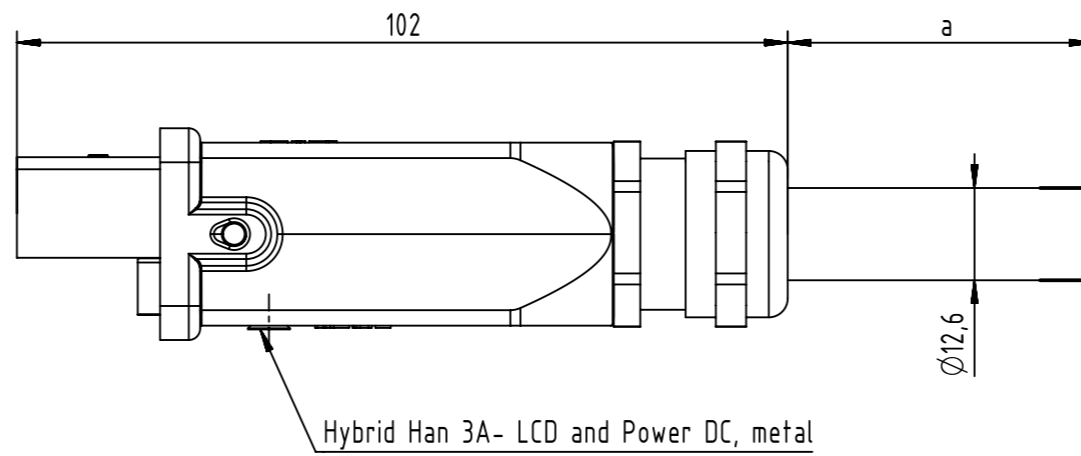
## Contact us

Tel: +86-755-8981 8866 Fax: +86-755-8427 6832

Email & Skype: info@chipsmall.com Web: www.chipsmall.com

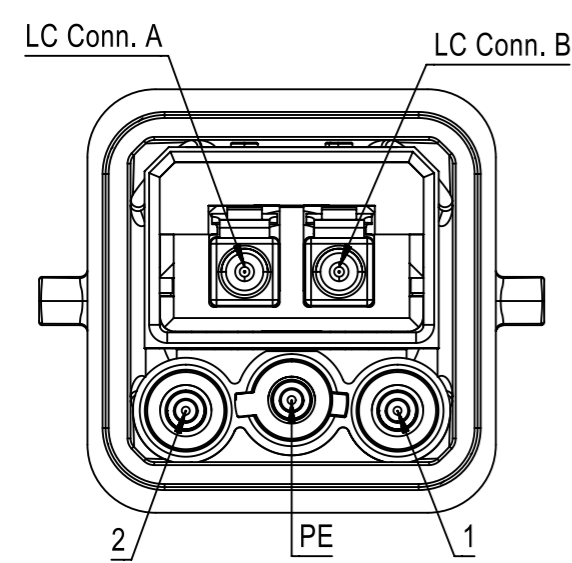
Address: A1208, Overseas Decoration Building, #122 Zhenhua RD., Futian, Shenzhen, China





X →

X (2:1)  
(without FO protection cap)

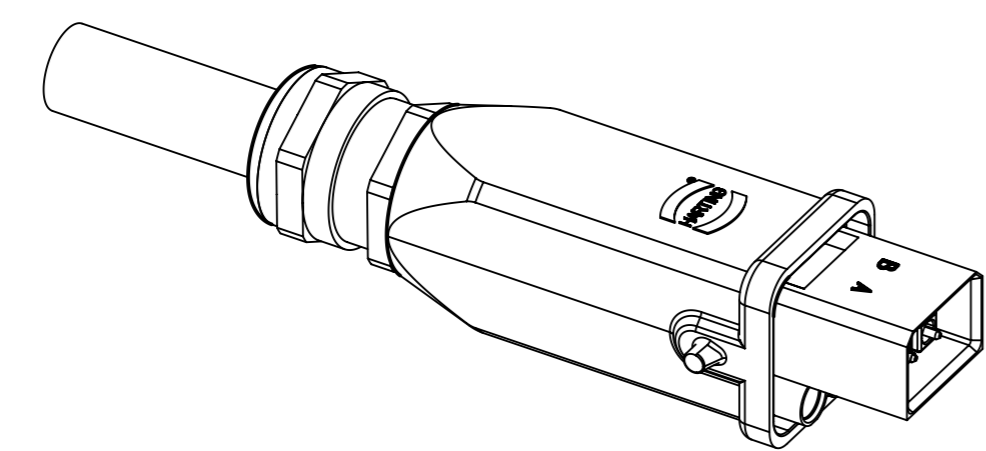


Loading-Plan

Shield (not connected)

|    |              |
|----|--------------|
| A  | Orange       |
| B  | Blue         |
| 1  | Black        |
| 2  | Blue         |
| PE | Green-Yellow |

-Insertion loss must be tested 100%  
-Return loss must be tested at least by random samples



| Cont No. | Part-No.       | Type of cable                 | Dim.a  |
|----------|----------------|-------------------------------|--------|
| 9        | 33571113005002 | Hybrid cable 2xFO - 3x2.5/3.5 | 300±3  |
| 8        | 33571111005002 |                               | 100±1  |
| 7        | 33571110605002 |                               | 60±0.6 |
| 6        | 33571110505002 |                               | 50±0.5 |
| 5        | 33571110405002 |                               | 40±0.4 |
| 4        | 33571110205002 |                               | 20±0.2 |
| 3        | 33571110105002 |                               | 10±0.1 |
| 2        | 33571110055002 |                               | 5±0.05 |
| 1        | 33571110015002 |                               | 1±0.01 |

|   |                       |  |                             |                       |                          |                 |   |          |
|---|-----------------------|--|-----------------------------|-----------------------|--------------------------|-----------------|---|----------|
|   | All rights reserved   |  | Scale 1:1                   |                       | Free size tol.           |                 | Ref.  |          |
|   | Department EC PD - RO |  | Created by OLESCHR          | Inspected by AVRAM    | Standardisation HOFFMANN | Date 2013-05-16 | State Final Release                                     |          |
| HARTING Electronics GmbH<br>D-32339 Espelkamp |                       |  | Title Hybrid cable assembly |                       |                          |                 | Doc-Key / ECM-Nr.<br>100183341/UGD/035/A<br>50000062109 |          |
|   |                       |  | Type TB                     | Number 3357111XXX5002 |                          |                 | Rev. A  | Page 1/1 |