



Chipsmall Limited consists of a professional team with an average of over 10 year of expertise in the distribution of electronic components. Based in Hongkong, we have already established firm and mutual-benefit business relationships with customers from,Europe,America and south Asia,supplying obsolete and hard-to-find components to meet their specific needs.

With the principle of “Quality Parts,Customers Priority,Honest Operation,and Considerate Service”,our business mainly focus on the distribution of electronic components. Line cards we deal with include Microchip,ALPS,ROHM,Xilinx,Pulse,ON,Everlight and Freescale. Main products comprise IC,Modules,Potentiometer,IC Socket,Relay,Connector.Our parts cover such applications as commercial,industrial, and automotives areas.

We are looking forward to setting up business relationship with you and hope to provide you with the best service and solution. Let us make a better world for our industry!



Contact us

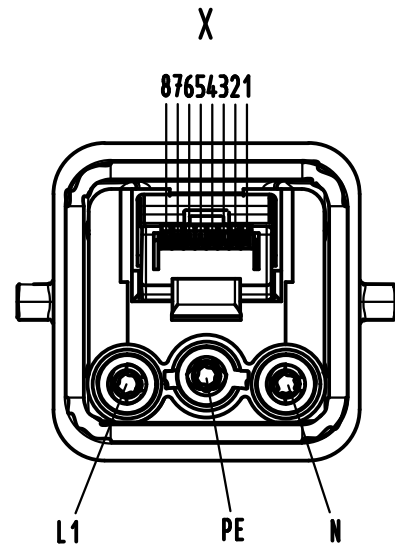
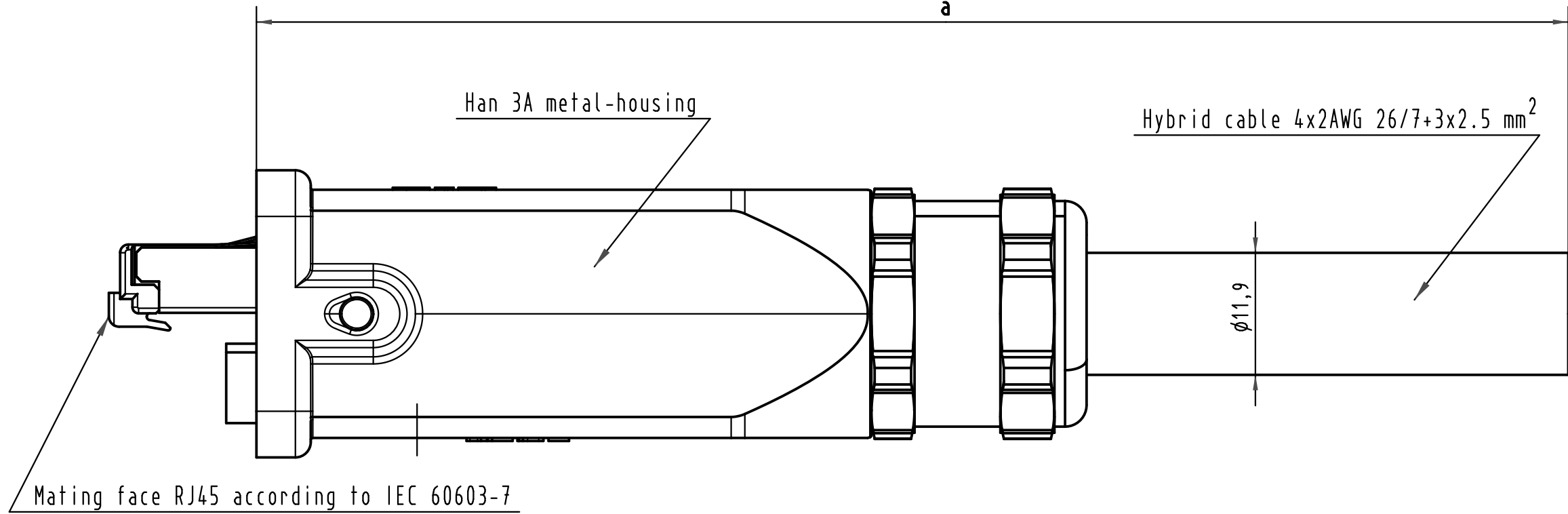
Tel: +86-755-8981 8866 Fax: +86-755-8427 6832

Email & Skype: info@chipsmall.com Web: www.chipsmall.com

Address: A1208, Overseas Decoration Building, #122 Zhenhua RD., Futian, Shenzhen, China



Alle Rechte vorbehalten/ All rights reserved



Loading-Plan (Data)

Shield
1 White/green
2 Green
3 White/orange
4 Blue
5 White/blue
6 Orange
7 White/brown
8 Brown

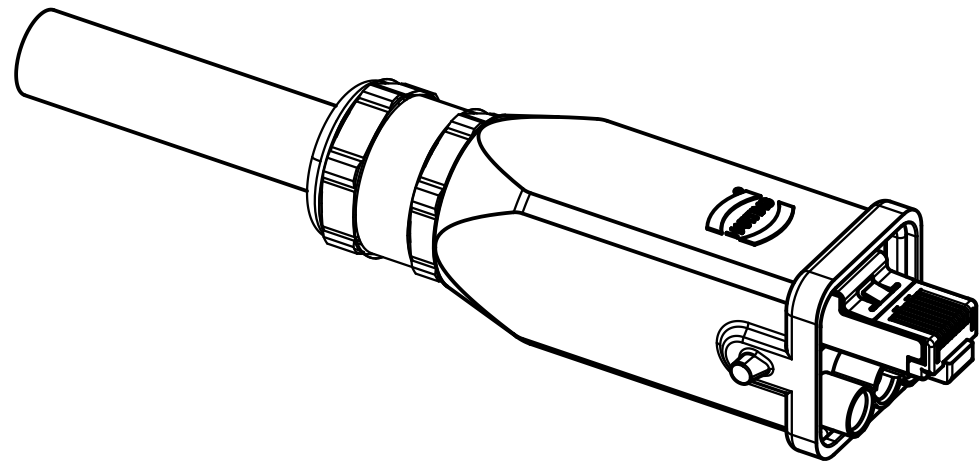
Loading-Plan (Power)

L1	black
N	blue
PE	green/yellow

-Protection level: IP67
 -Temperature range: -20°C ...+70°C

-Data transmission properties in accordance with ISO/IEC 11801:2002 ? ? ? ? ? ? ? ? ? ?

4	Hybrid cable 4x2AWG26/7+3x2.5 mm ² AC	33 57 111 020 0002	20 m
3	Hybrid cable 4x2AWG26/7+3x2.5 mm ² AC	33 57 111 010 0002	10 m
2	Hybrid cable 4x2AWG26/7+3x2.5 mm ² AC	33 57 111 005 0002	5 m
1	Hybrid cable 4x2AWG26/7+3x2.5 mm ² AC	33 57 111 001 0002	1 m
Cont No.	Type of cable	Part-No.	Dim. a



All Dimensions in mm Original Size DIN A 3			Techn. Character.			Nicht tolerierte Maß/Free size tolerances	
			Dat.	Name	Maßstab/Scale 2:1	Hybrid cable assembly, 4x2AWG26/7+3x2.5 mm ² HAN3A, AC	
			Detail.	07.07.08 RA			
			Insp.				
			Stand.				
35035	10.11.08	MS	HARTING Electronics GmbH & Co. KG			TB 33 57 111 xxx 0002	
34567			D-32339 ESPELKAMP				
Mod.	Dat.	Name					
						Sub.	Blatt/ page