



Chipsmall Limited consists of a professional team with an average of over 10 year of expertise in the distribution of electronic components. Based in Hongkong, we have already established firm and mutual-benefit business relationships with customers from,Europe,America and south Asia,supplying obsolete and hard-to-find components to meet their specific needs.

With the principle of “Quality Parts,Customers Priority,Honest Operation,and Considerate Service”,our business mainly focus on the distribution of electronic components. Line cards we deal with include Microchip,ALPS,ROHM,Xilinx,Pulse,ON,Everlight and Freescale. Main products comprise IC,Modules,Potentiometer,IC Socket,Relay,Connector.Our parts cover such applications as commercial,industrial, and automotives areas.

We are looking forward to setting up business relationship with you and hope to provide you with the best service and solution. Let us make a better world for our industry!



Contact us

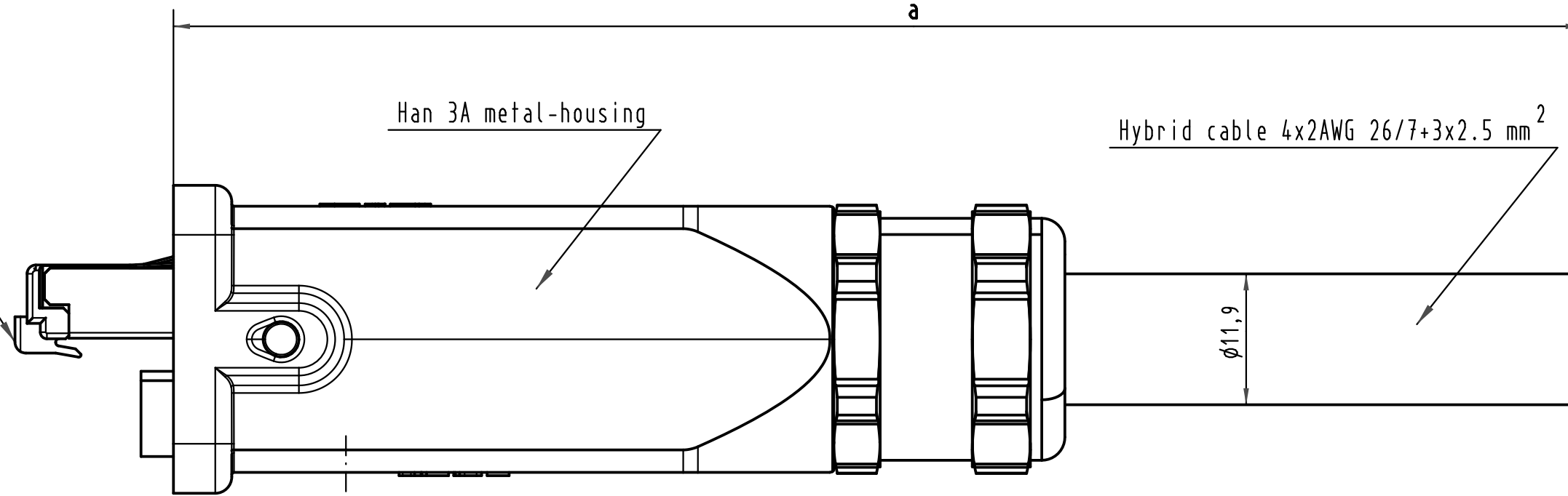
Tel: +86-755-8981 8866 Fax: +86-755-8427 6832

Email & Skype: info@chipsmall.com Web: www.chipsmall.com

Address: A1208, Overseas Decoration Building, #122 Zhenhua RD., Futian, Shenzhen, China



Mating face RJ45 according to IEC 60603-7

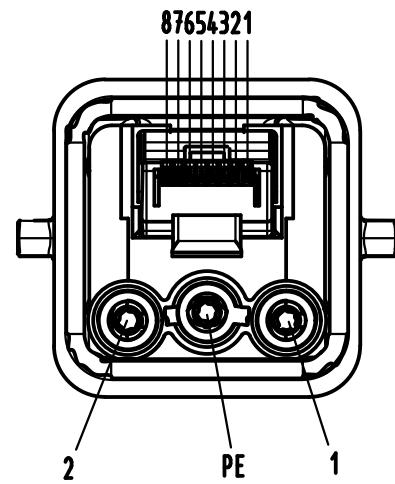


Han 3A metal-housing

Hybrid cable 4x2AWG 26/7+3x2.5 mm²

Ø11,9

X



Loading-Plan (Data)

- Shield
- 1 White/green
- 2 Green
- 3 White/orange
- 4 Blue
- 5 White/blue
- 6 Orange
- 7 White/brown
- 8 Brown

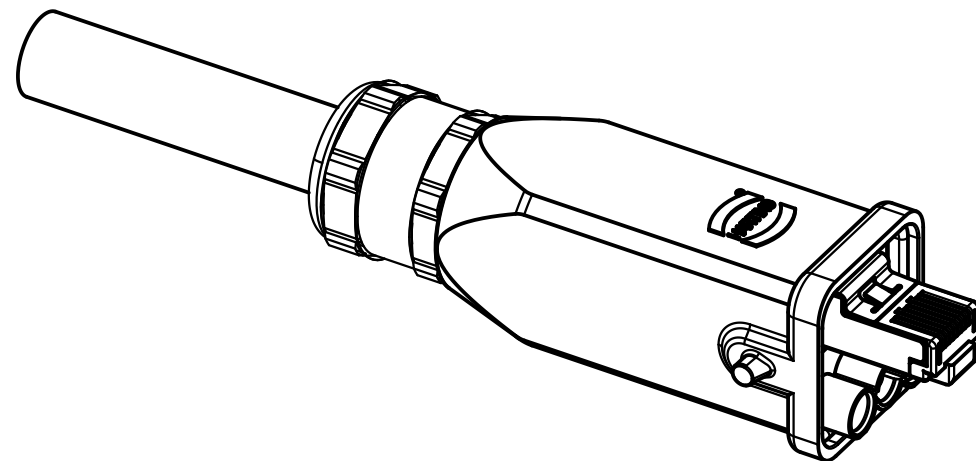
Loading-Plan DC version

- 1 black
- 2 blue
- PE green/yellow
- PE

-Protection level: IP67
-Temperature range: -20°C ...+70°C

Data Part
-Transmission properties in accordance with ISO/IEC 11801:2002: Class D.

???????R??



7	Hybrid cable 4x2AWG26/7+3x2,5 mm ²	DC	33 57 111 080 0001	80 m
6	Hybrid cable 4x2AWG26/7+3x2,5 mm ²	DC	33 57 111 060 0002	60 m
5	Hybrid cable 4x2AWG26/7+3x2,5 mm ²	DC	33 57 111 040 0001	40 m
4	Hybrid cable 4x2AWG26/7+3x2,5 mm ²	DC	33 57 111 020 0001	20 m
3	Hybrid cable 4x2AWG26/7+3x2,5 mm ²	DC	33 57 111 010 0001	10 m
2	Hybrid cable 4x2AWG26/7+3x2,5 mm ²	DC	33 57 111 005 0001	5 m
1	Hybrid cable 4x2AWG26/7+3x2,5 mm ²	DC	33 57 111 001 0001	1 m

Cont No.	Type of cable	Part-No.	Dim. a
----------	---------------	----------	--------

All Dimensions in mm Original Size DIN A 3			Nicht tol. Maße/ Free size tol.			Ref. MB	
			Oberflgüte/ Surface qual.			Mat.	
			Oberflschutz/ Coating				
			V= cm ³		A= mm ²		
			Dat.		Name		
			Moßstab/ Scale				
			Detail.		20.05.08 MS		
			Insp.		20.05.08 RA		
			Stand.				
DRS648A 03.12.09 MS					Hybrid cable assembly, 4x2AWG26/7+3x2,5 mm ² HAN3A, DC		
35035 10.11.08 MS							
34553							
Mod. Dat. Name			HARTING Electronics GmbH & Co. KG			TB 33 57 111 xxx 0001	
			D-32339 Espelkamp				
						Sub.	

Alle Rechte vorbehalten/ All rights reserved