



Chipsmall Limited consists of a professional team with an average of over 10 year of expertise in the distribution of electronic components. Based in Hongkong, we have already established firm and mutual-benefit business relationships with customers from,Europe,America and south Asia,supplying obsolete and hard-to-find components to meet their specific needs.

With the principle of "Quality Parts,Customers Priority,Honest Operation,and Considerate Service",our business mainly focus on the distribution of electronic components. Line cards we deal with include Microchip,ALPS,ROHM,Xilinx,Pulse,ON,Everlight and Freescale. Main products comprise IC,Modules,Potentiometer,IC Socket,Relay,Connector.Our parts cover such applications as commercial,industrial, and automotives areas.

We are looking forward to setting up business relationship with you and hope to provide you with the best service and solution. Let us make a better world for our industry!



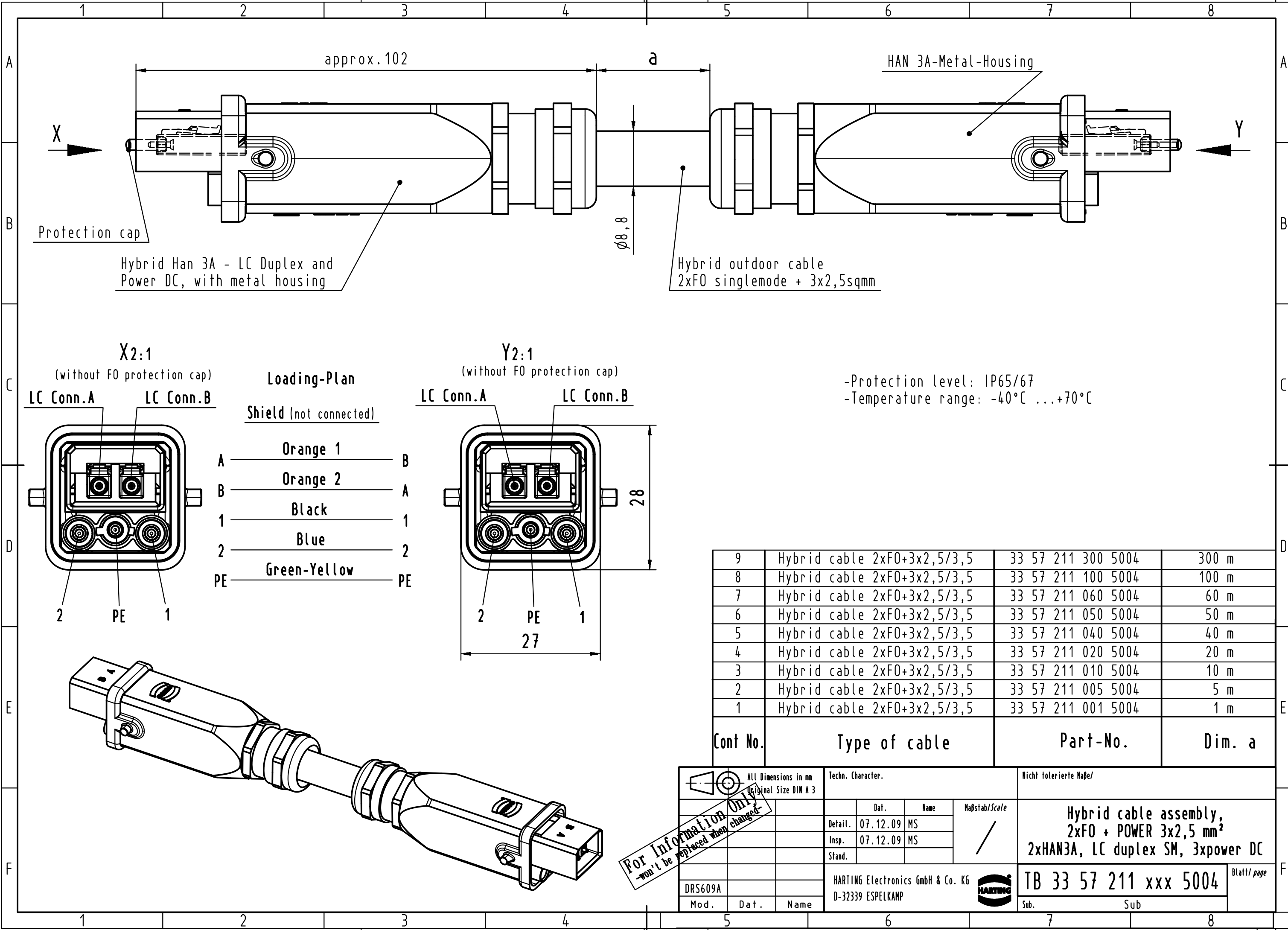
Contact us

Tel: +86-755-8981 8866 Fax: +86-755-8427 6832

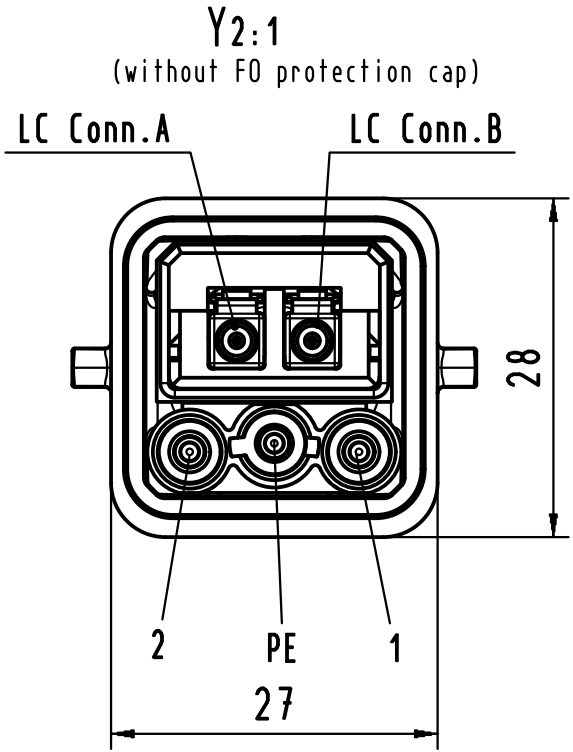
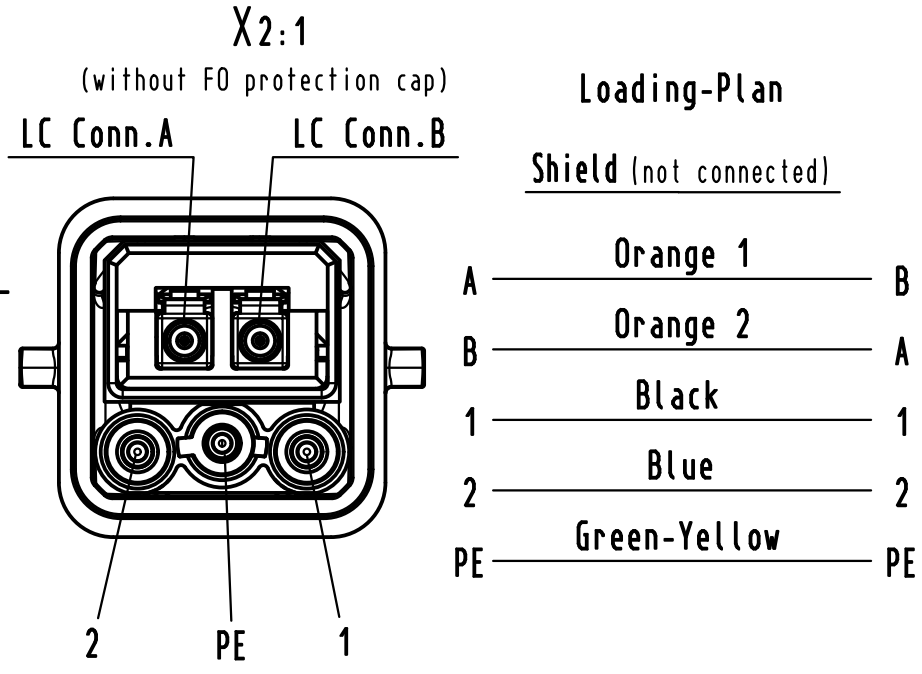
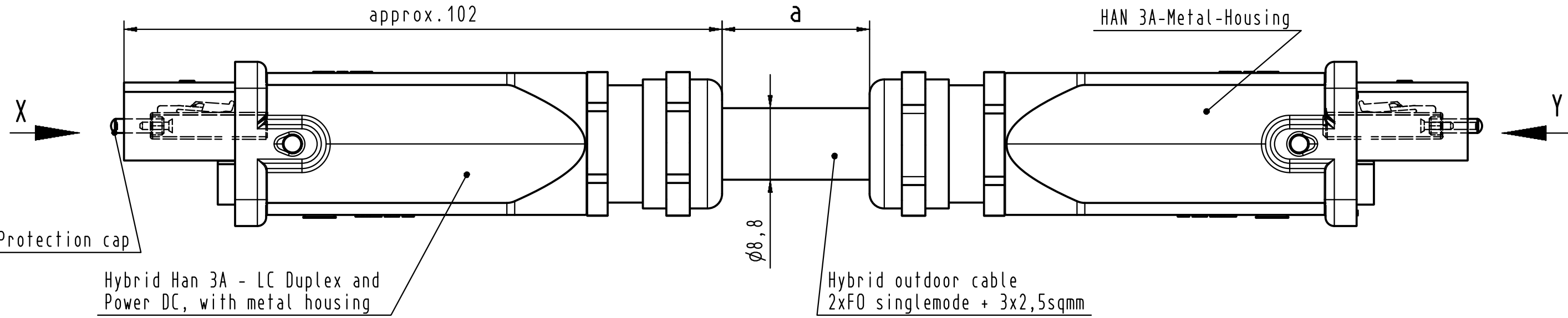
Email & Skype: info@chipsmall.com Web: www.chipsmall.com

Address: A1208, Overseas Decoration Building, #122 Zhenhua RD., Futian, Shenzhen, China



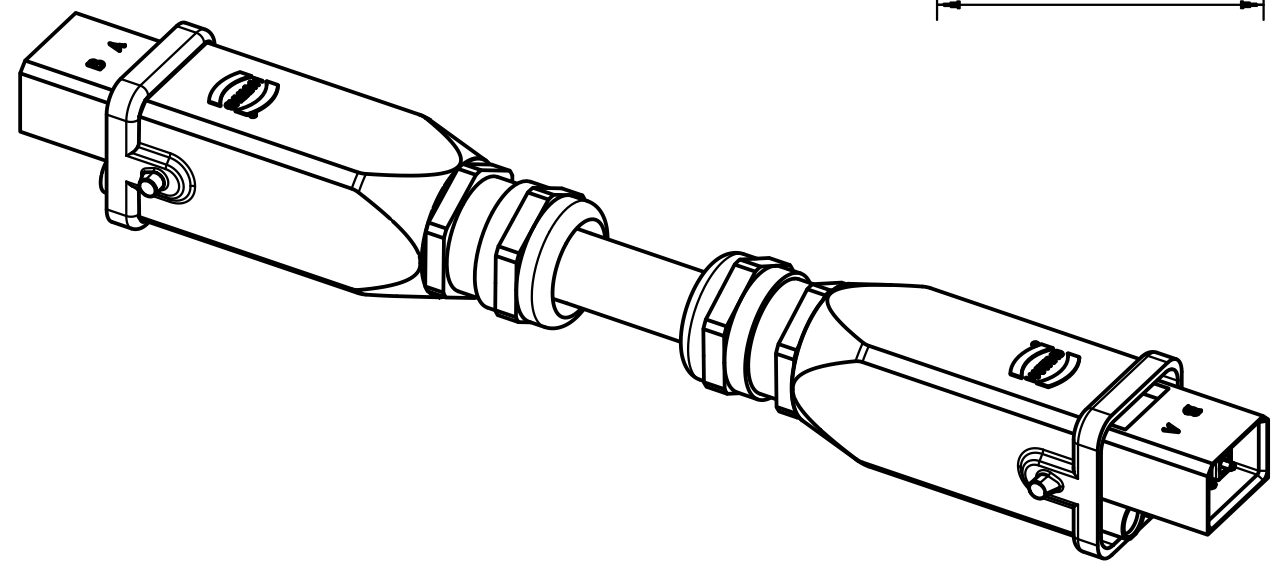


Alle Rechte vorbehalten/ All rights reserved



-Protection level: IP65/67
-Temperature range: -40°C ... +70°C

9	Hybrid cable 2xFO+3x2,5/3,5	33 57 211 300 5004	300 m
8	Hybrid cable 2xFO+3x2,5/3,5	33 57 211 100 5004	100 m
7	Hybrid cable 2xFO+3x2,5/3,5	33 57 211 060 5004	60 m
6	Hybrid cable 2xFO+3x2,5/3,5	33 57 211 050 5004	50 m
5	Hybrid cable 2xFO+3x2,5/3,5	33 57 211 040 5004	40 m
4	Hybrid cable 2xFO+3x2,5/3,5	33 57 211 020 5004	20 m
3	Hybrid cable 2xFO+3x2,5/3,5	33 57 211 010 5004	10 m
2	Hybrid cable 2xFO+3x2,5/3,5	33 57 211 005 5004	5 m
1	Hybrid cable 2xFO+3x2,5/3,5	33 57 211 001 5004	1 m
Cont No.	Type of cable	Part-No.	Dim. a



 For Information Only won't be replaced when changed	All Dimensions in mm Original Size DIN A 3			Techn. Character.		Nicht tolerierte Maße/	
		Dat.	Name	Maßstab/Scale		Hybrid cable assembly, 2xFO + POWER 3x2,5 mm ² 2xHAN3A, LC duplex SM, 3xpower DC	
		Detail.	07.12.09 MS	/			
		Insp.	07.12.09 MS				
	Stand.						
DRS609A			HARTING Electronics GmbH & Co. KG D-32339 ESPELKAMP				TB 33 57 211 xxx 5004 Blatt/ page
Mod.	Dat.	Name			Sub.	Sub	