



Chipsmall Limited consists of a professional team with an average of over 10 year of expertise in the distribution of electronic components. Based in Hongkong, we have already established firm and mutual-benefit business relationships with customers from,Europe,America and south Asia,supplying obsolete and hard-to-find components to meet their specific needs.

With the principle of “Quality Parts,Customers Priority,Honest Operation,and Considerate Service”,our business mainly focus on the distribution of electronic components. Line cards we deal with include Microchip,ALPS,ROHM,Xilinx,Pulse,ON,Everlight and Freescale. Main products comprise IC,Modules,Potentiometer,IC Socket,Relay,Connector.Our parts cover such applications as commercial,industrial, and automotives areas.

We are looking forward to setting up business relationship with you and hope to provide you with the best service and solution. Let us make a better world for our industry!



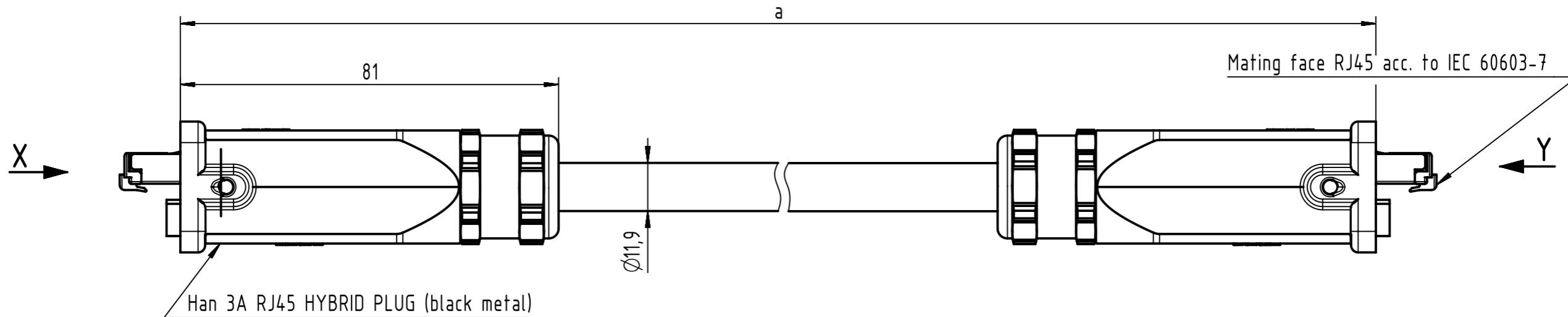
Contact us

Tel: +86-755-8981 8866 Fax: +86-755-8427 6832

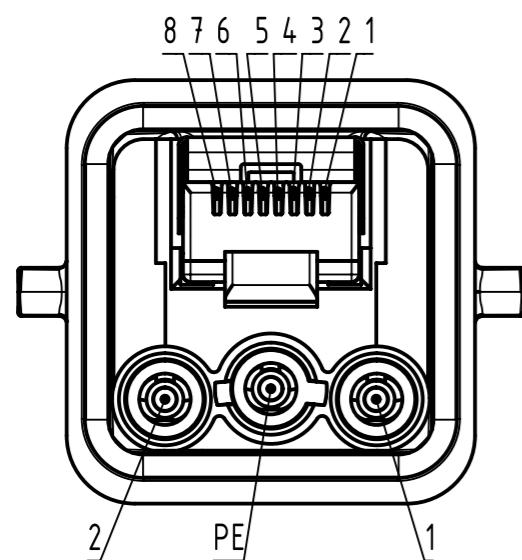
Email & Skype: info@chipsmall.com Web: www.chipsmall.com

Address: A1208, Overseas Decoration Building, #122 Zhenhua RD., Futian, Shenzhen, China

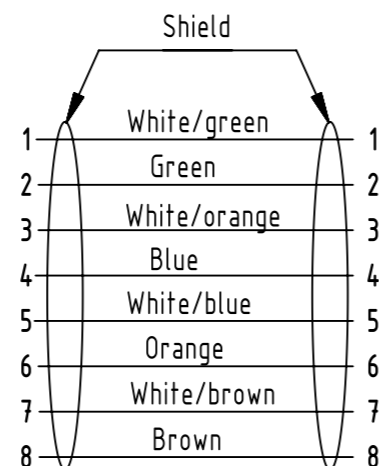




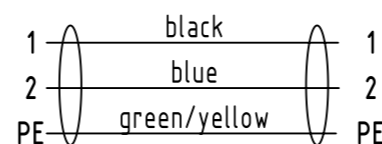
X (2:1)



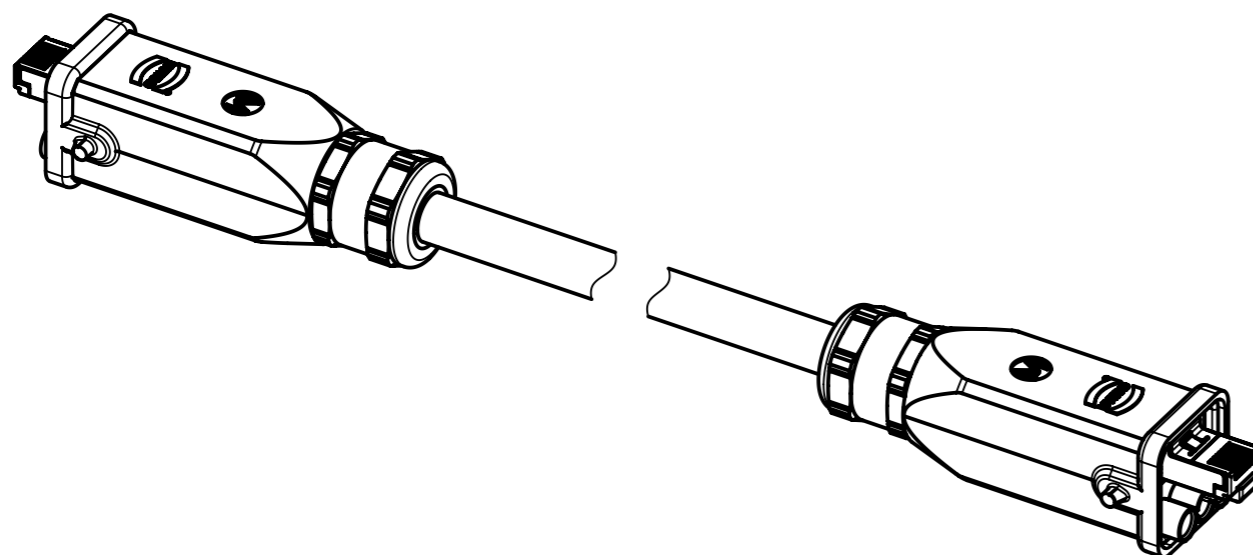
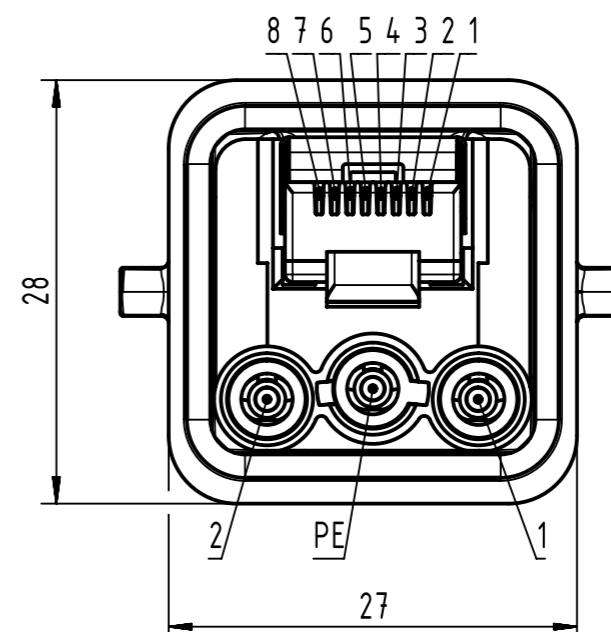
Loading-Plan (Data)



Loading-Plan (Power-DC version)




Y (2:1)



	All rights reserved Department EC PD - RO	All Dimensions in mm Original Size DIN A3		Scale 1:1	Free size tol.	Ref.
		HARTING Electronics GmbH D-32339 Espelkamp	Created by POPESCU	Inspected by AVRAM	Standardisation HOFFMANN	Date 2015-12-18
Title Han 3A RJ45 Hybrid Cable Assembly						Doc-Key / ECM-Nr. 100154019/UGD/013/C 50000098235
Type TB		Number 33572110XX000X			Rev. C	Page 1/2

	1	2	3	4	5	6	7	8	
A									A
B									B
C									C
D									D
E									E
F									F
	1	2	3	4	5	6	7	8	

7	3357211020002	Hybrid cable 4x2AWG26/7+3x2.5 sqmm, 2xHan 3A, DC	20
6	3357211010002		10
5	3357211006002		6
4	3357211005002		5
3	3357211003002		3
2	3357211002002		2
1	3357211001002		1
Cont. no.	Part-no.	Type of cable	Dim. a[m]

	All rights reserved	Created by POPESCU	Inspected by AVRAM	Standardisation HOFFMANN	Date 2015-12-18	State Final Release	
	Department EC PD - RO	Title Han 3A RJ45 Hybrid Cable Assembly				Doc-Key / ECM-Nr. 100154019/UGD/013/C 50000098235	
HARTING Electronics GmbH D-32339 Espelkamp		Type TB	Number 33572110XX000X			Rev. C	Page 2/2