



Chipsmall Limited consists of a professional team with an average of over 10 year of expertise in the distribution of electronic components. Based in Hongkong, we have already established firm and mutual-benefit business relationships with customers from,Europe,America and south Asia,supplying obsolete and hard-to-find components to meet their specific needs.

With the principle of “Quality Parts,Customers Priority,Honest Operation,and Considerate Service”,our business mainly focus on the distribution of electronic components. Line cards we deal with include Microchip,ALPS,ROHM,Xilinx,Pulse,ON,Everlight and Freescale. Main products comprise IC,Modules,Potentiometer,IC Socket,Relay,Connector.Our parts cover such applications as commercial,industrial, and automotives areas.

We are looking forward to setting up business relationship with you and hope to provide you with the best service and solution. Let us make a better world for our industry!



## Contact us

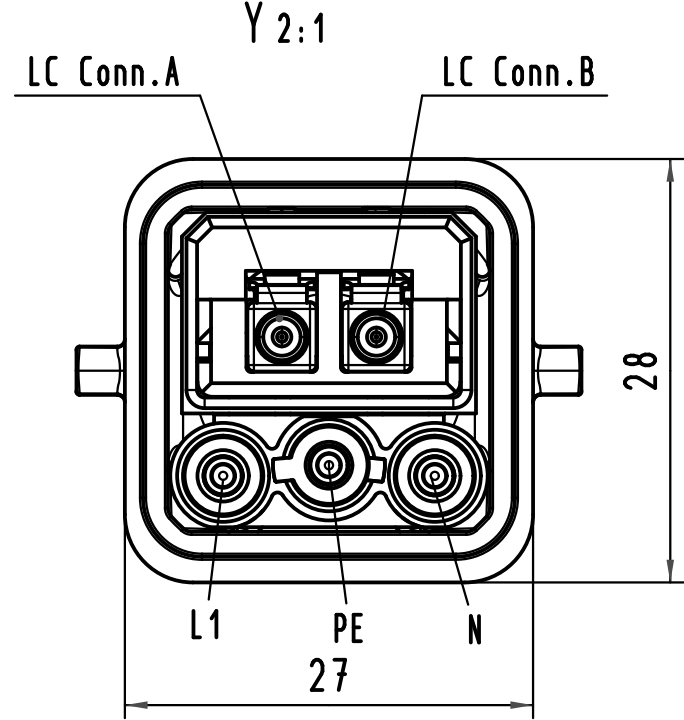
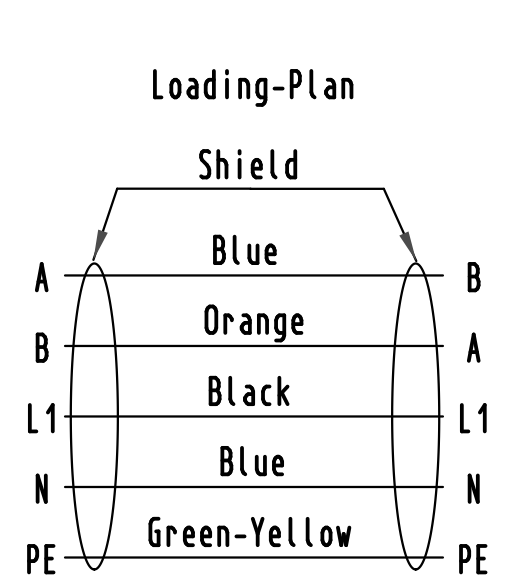
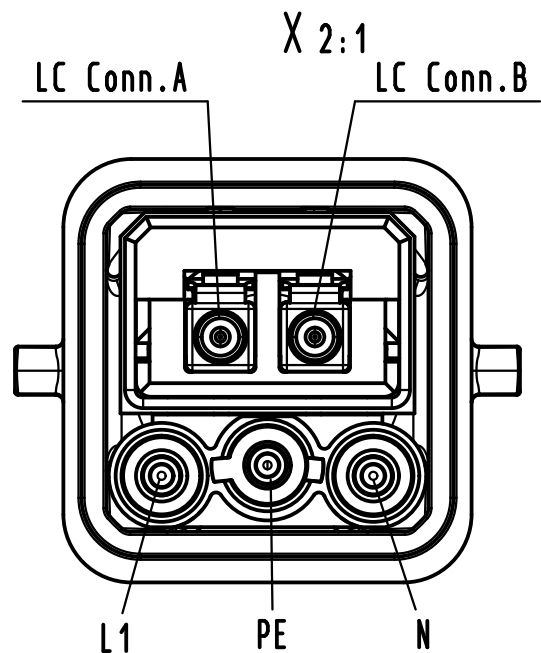
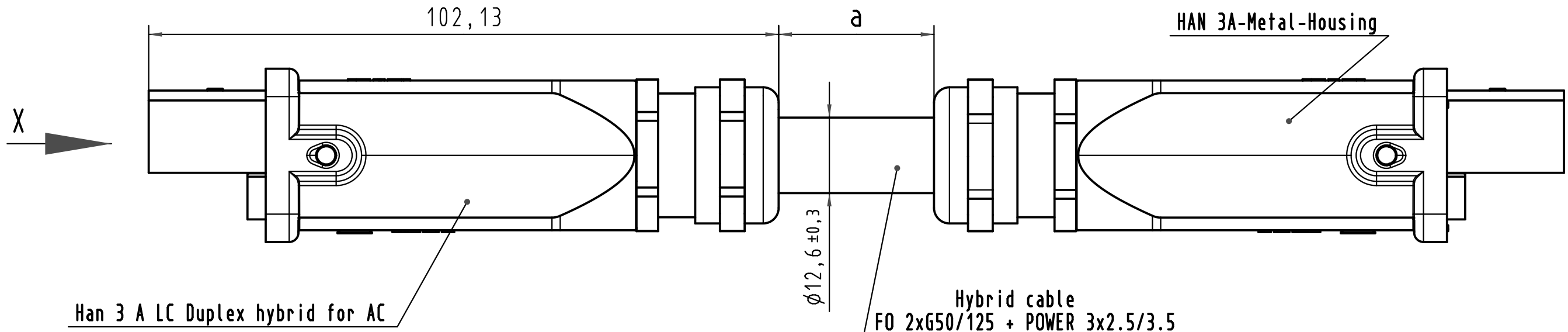
Tel: +86-755-8981 8866 Fax: +86-755-8427 6832

Email & Skype: info@chipsmall.com Web: www.chipsmall.com

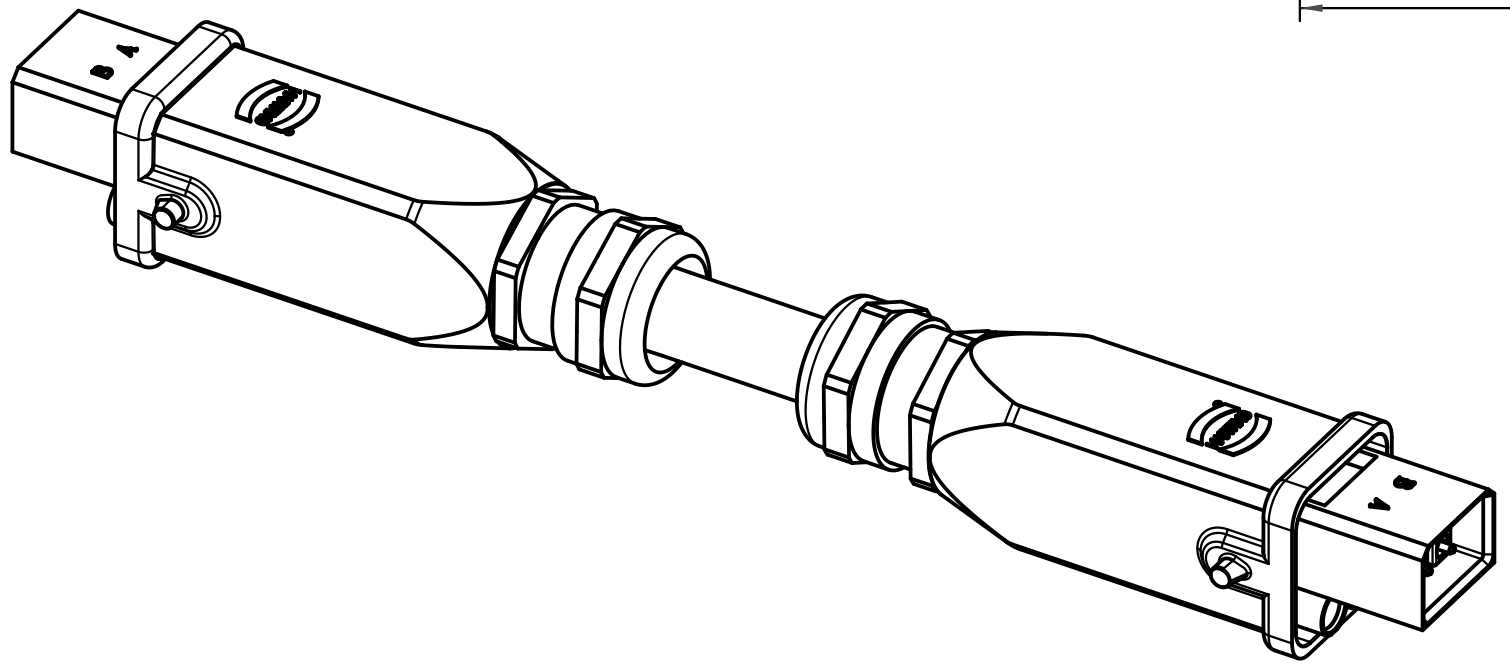
Address: A1208, Overseas Decoration Building, #122 Zhenhua RD., Futian, Shenzhen, China



Alle Rechte vorbehalten/ All rights reserved



-Insertion loss must be tested 100%  
-Return loss must be tested at least by random samples



4	Hybrid cable 2xFO+3x2.5/3.5	33 57 211 020 5001	20 (±0.20)m
3	Hybrid cable 2xFO+3x2.5/3.5	33 57 211 010 5001	10 (±0.10)m
2	Hybrid cable 2xFO+3x2.5/3.5	33 57 211 005 5001	5 (±0.05)m
1	Hybrid cable 2xFO+3x2.5/3.5	33 57 211 001 5001	1 (±0.01)m

Cont No.	Type of cable	Part-No.	Dim. a
----------	---------------	----------	--------

S468A Mod.	Dat.	Name	Techn. Character.		Nicht tolerierte Maße/  Hybrid cable assembly, FO 2xG50/125 + POWER 3x2.5/3.5, 2xHAN3A, LC duplex MM, 3xpower AC	
			Dat.	Name		Maßstab/Scale /
			Detail.	06.02.09 MR		
			Insp.			
			Stand.			
HARTING Electronics GmbH & Co. KG D-32339 ESPELKAMP					TB 33 57 211 xxx 5001 Sub. Sub	

Blatt/ page