



Chipsmall Limited consists of a professional team with an average of over 10 year of expertise in the distribution of electronic components. Based in Hongkong, we have already established firm and mutual-benefit business relationships with customers from,Europe,America and south Asia,supplying obsolete and hard-to-find components to meet their specific needs.

With the principle of “Quality Parts,Customers Priority,Honest Operation,and Considerate Service”,our business mainly focus on the distribution of electronic components. Line cards we deal with include Microchip,ALPS,ROHM,Xilinx,Pulse,ON,Everlight and Freescale. Main products comprise IC,Modules,Potentiometer,IC Socket,Relay,Connector.Our parts cover such applications as commercial,industrial, and automotives areas.

We are looking forward to setting up business relationship with you and hope to provide you with the best service and solution. Let us make a better world for our industry!



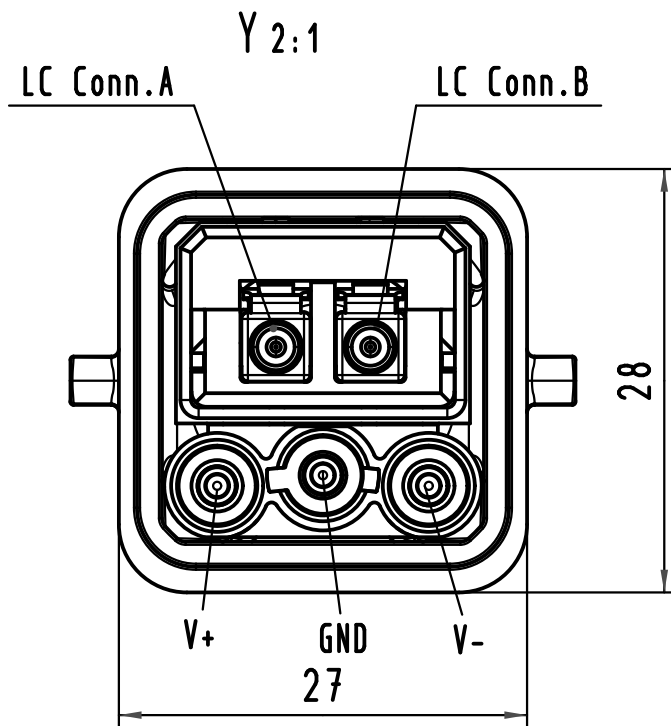
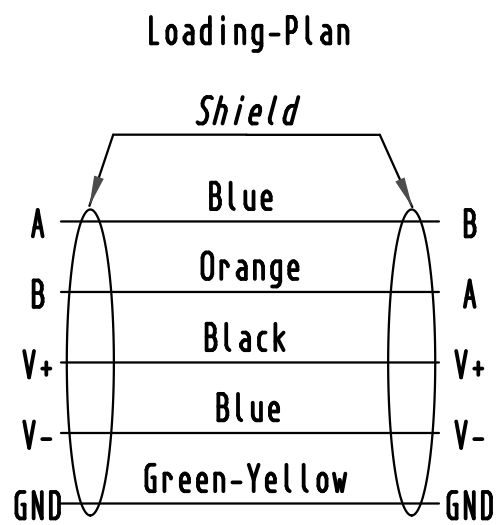
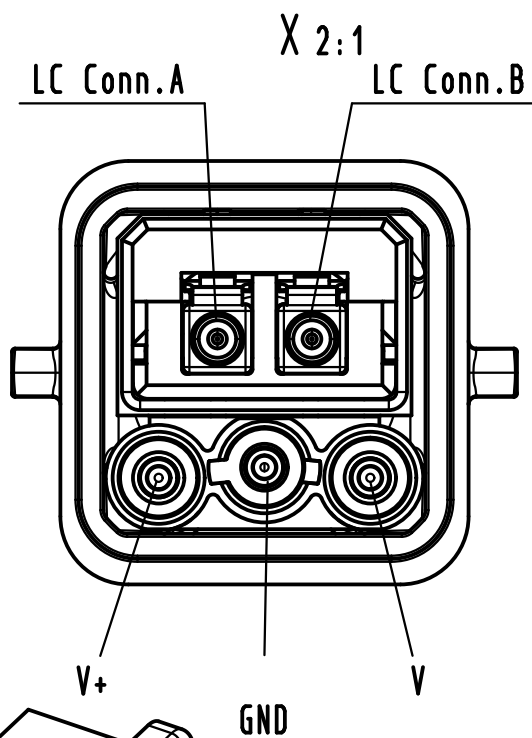
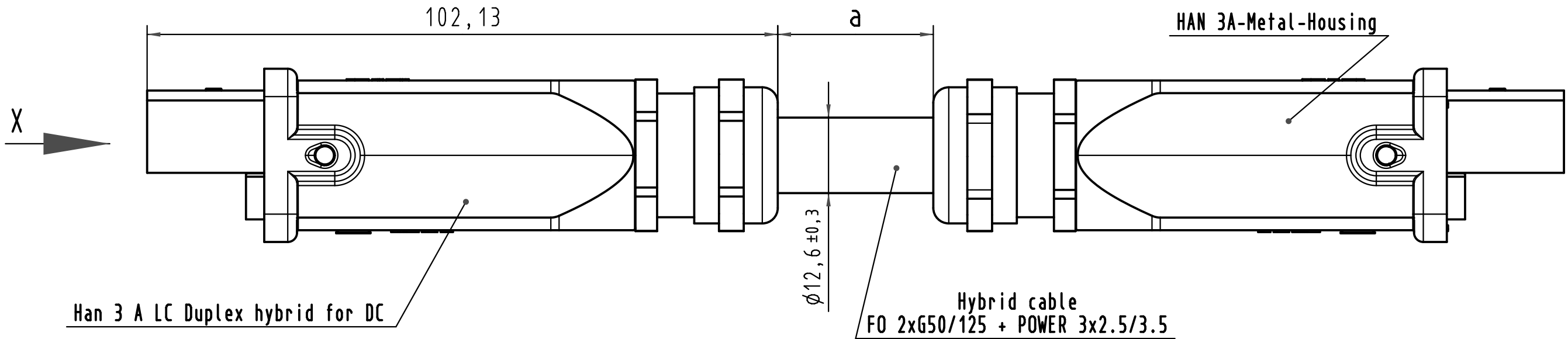
Contact us

Tel: +86-755-8981 8866 Fax: +86-755-8427 6832

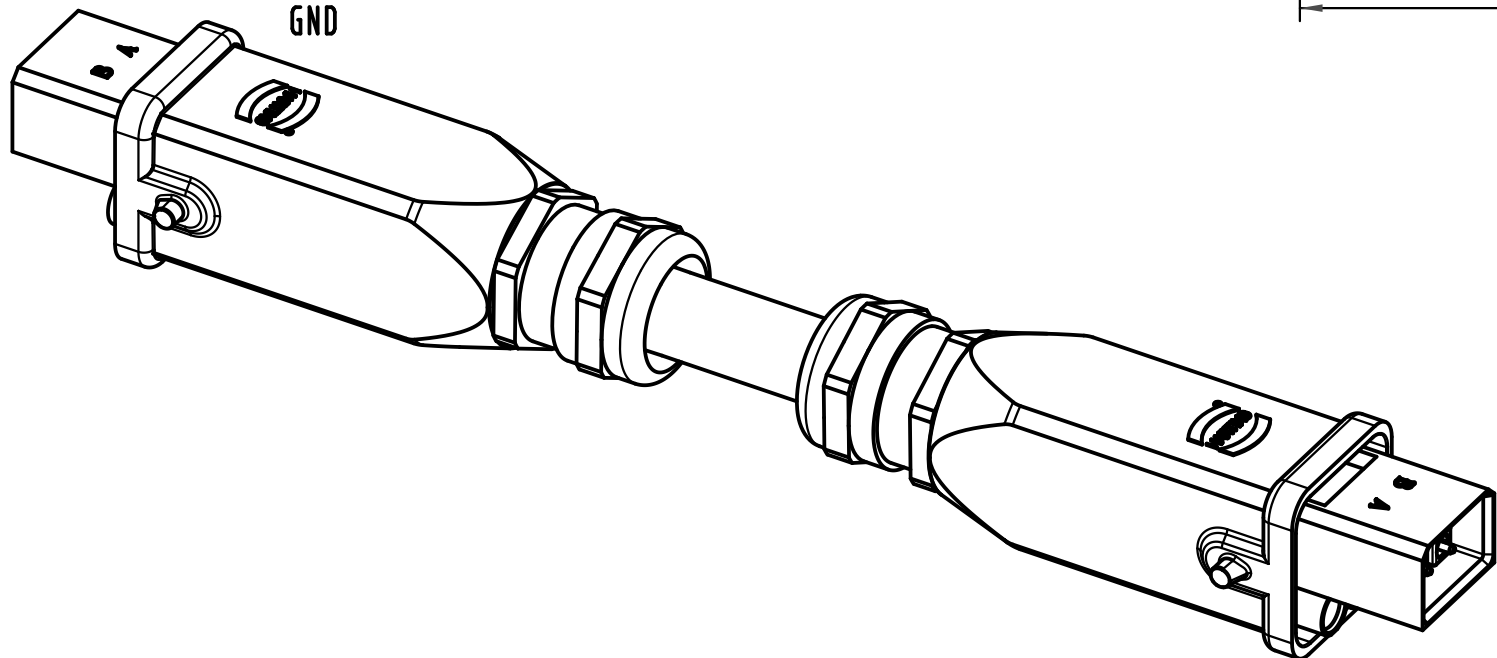
Email & Skype: info@chipsmall.com Web: www.chipsmall.com

Address: A1208, Overseas Decoration Building, #122 Zhenhua RD., Futian, Shenzhen, China





-Insertion loss must be tested 100%
 -Return loss must be tested at least
 by random samples



4	Hybrid cable 2xFO+3x2.5/3.5	33 57 211 020 5002	20 (±0.20)m
3	Hybrid cable 2xFO+3x2.5/3.5	33 57 211 010 5002	10 (±0.10)m
2	Hybrid cable 2xFO+3x2.5/3.5	33 57 211 005 5002	5 (±0.05)m
1	Hybrid cable 2xFO+3x2.5/3.5	33 57 211 001 5002	1 (±0.01)m

Cont No.	Type of cable	Part-No.	Dim. a
----------	---------------	----------	--------

All Dimensions in mm Original Size DIN A 3		Techn. Character.		Nicht tolerierte Maße/	
		Dat.	Name	Hybrid cable assembly, FO 2xG50/125 + POWER 3x2.5/3.5, 2xHAN3A, LC duplex MM, 3xpower DC	
		Detail.	06.02.09 MR		
		Insp.			
		Stand.			
S468A Mod.		HARTING Electronics GmbH & Co. KG D-32339 ESPELKAMP		TB 33 57 211 xxx 5002 Sub.	
Dat. Name				Blatt/ page	

Alle Rechte vorbehalten/ All rights reserved