



Chipsmall Limited consists of a professional team with an average of over 10 year of expertise in the distribution of electronic components. Based in Hongkong, we have already established firm and mutual-benefit business relationships with customers from,Europe,America and south Asia,supplying obsolete and hard-to-find components to meet their specific needs.

With the principle of “Quality Parts,Customers Priority,Honest Operation,and Considerate Service”,our business mainly focus on the distribution of electronic components. Line cards we deal with include Microchip,ALPS,ROHM,Xilinx,Pulse,ON,Everlight and Freescale. Main products comprise IC,Modules,Potentiometer,IC Socket,Relay,Connector.Our parts cover such applications as commercial,industrial, and automotives areas.

We are looking forward to setting up business relationship with you and hope to provide you with the best service and solution. Let us make a better world for our industry!



Contact us

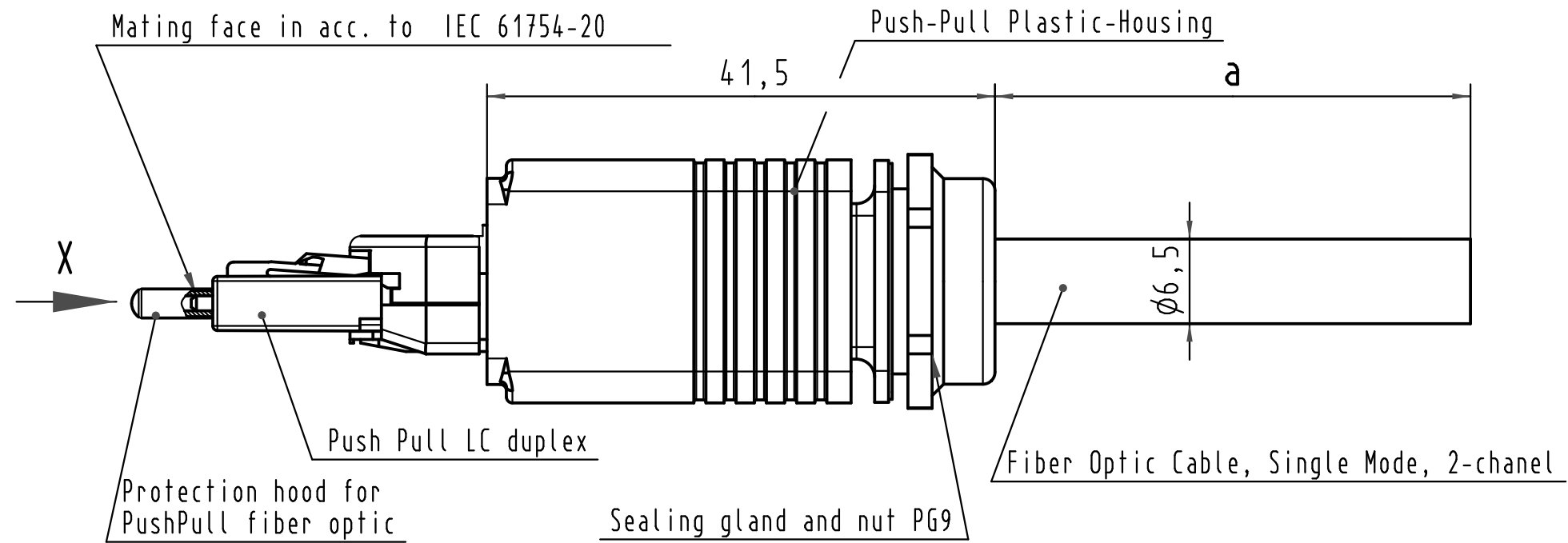
Tel: +86-755-8981 8866 Fax: +86-755-8427 6832

Email & Skype: info@chipsmall.com Web: www.chipsmall.com

Address: A1208, Overseas Decoration Building, #122 Zhenhua RD., Futian, Shenzhen, China

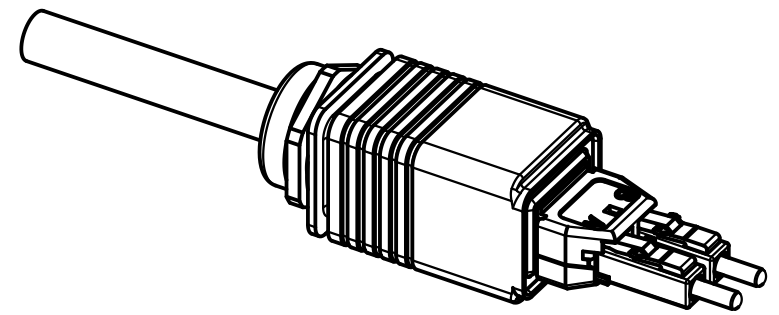
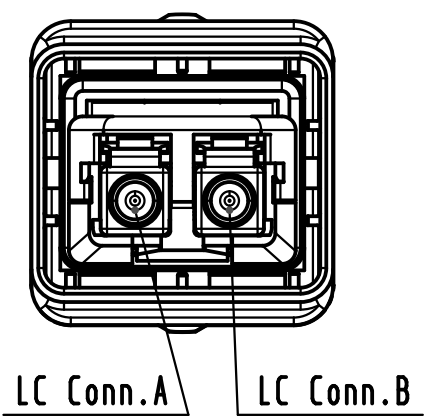


Alle Rechte vorbehalten/ All rights reserved



X
(without protection hood)

Loading-Plan



-Protection level: IP67/65
-Temperature range: -40°C ...+70°C

9	High strength fiber optic breakout cable Single Mode	33 58 111 300 0002	300 m
8	High strength fiber optic breakout cable Single Mode	33 58 111 100 0002	100 m
7	High strength fiber optic breakout cable Single Mode	33 58 111 060 0002	60 m
6	High strength fiber optic breakout cable Single Mode	33 58 111 050 0002	50 m
5	High strength fiber optic breakout cable Single Mode	33 58 111 040 0002	40 m
4	High strength fiber optic breakout cable Single Mode	33 58 111 020 0002	20 m
3	High strength fiber optic breakout cable Single Mode	33 58 111 010 0002	10 m
2	High strength fiber optic breakout cable Single Mode	33 58 111 005 0002	5 m
1	High strength fiber optic breakout cable Single Mode	33 58 111 001 0002	1 m
Cont No.	Type of cable	Part-No.	Dim. a

	All Dimensions in mm Original Size DIN A 3			Techn. Character.			Nicht tolerierte Maß/Free size tolerances		
							2:1	Push Pull fiber optic assembly 1xPush Pull LC DUPLEX, plastic Single Mode	
			Detail.	20.08.08	MR				
DRS 506A	21.05.09	MS	Insp.	20.08.08	RA				
EC00166	17.02.09	MR	Stand.						
35590	13.01.09	MR	HARTING Electronics GmbH & Co. KG D-32339 ESPELKAMP					TB 33 58 111 xxx 0002	Blatt/ page Sub. Sub
35014			Mod.	Dat.	Name				