



Chipsmall Limited consists of a professional team with an average of over 10 year of expertise in the distribution of electronic components. Based in Hongkong, we have already established firm and mutual-benefit business relationships with customers from,Europe,America and south Asia,supplying obsolete and hard-to-find components to meet their specific needs.

With the principle of “Quality Parts,Customers Priority,Honest Operation,and Considerate Service”,our business mainly focus on the distribution of electronic components. Line cards we deal with include Microchip,ALPS,ROHM,Xilinx,Pulse,ON,Everlight and Freescale. Main products comprise IC,Modules,Potentiometer,IC Socket,Relay,Connector.Our parts cover such applications as commercial,industrial, and automotives areas.

We are looking forward to setting up business relationship with you and hope to provide you with the best service and solution. Let us make a better world for our industry!



Contact us

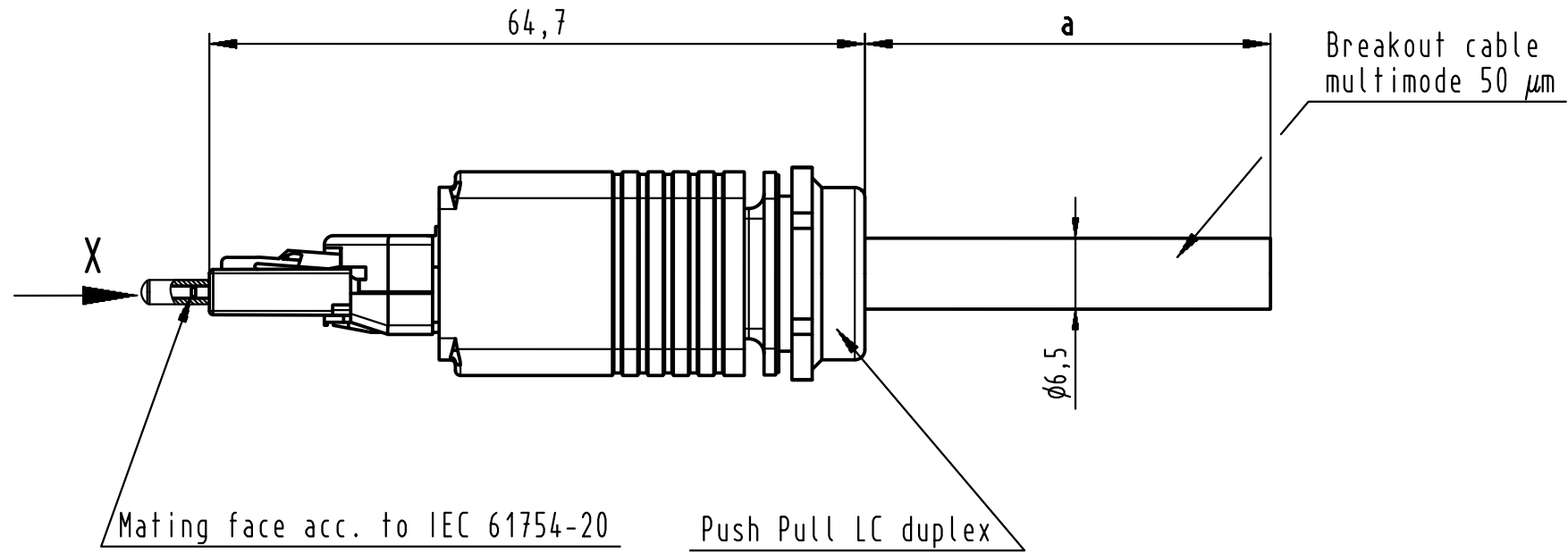
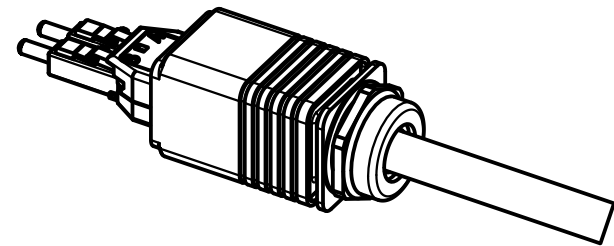
Tel: +86-755-8981 8866 Fax: +86-755-8427 6832

Email & Skype: info@chipsmall.com Web: www.chipsmall.com

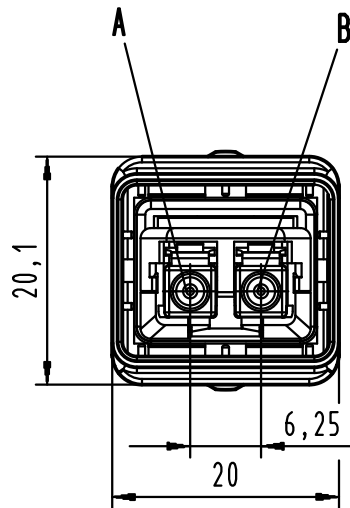
Address: A1208, Overseas Decoration Building, #122 Zhenhua RD., Futian, Shenzhen, China



Alle Rechte vorbehalten/ All rights reserved



X
(without protection cap)



Loading-Plan

A blue
B orange

For Information Only
won't be replaced when changed

-Protection level: IP67/65
-Temperature range: -40°C ...+70°C

| | | | | |
|----|---------------------------------------|--------------------|-----------|---|
| 12 | Fiber optic cable breakout Multi Mode | 33 58 111 300 0004 | 300 ± 3 | m |
| 11 | Fiber optic cable breakout Multi Mode | 33 58 111 150 0004 | 150 ± 1,5 | m |
| 10 | Fiber optic cable breakout Multi Mode | 33 58 111 100 0004 | 100 ± 1 | m |
| 9 | Fiber optic cable breakout Multi Mode | 33 58 111 080 0004 | 80 ± 0,8 | m |
| 8 | Fiber optic cable breakout Multi Mode | 33 58 111 060 0004 | 60 ± 0,6 | m |
| 7 | Fiber optic cable breakout Multi Mode | 33 58 111 050 0004 | 50 ± 0,5 | m |
| 6 | Fiber optic cable breakout Multi Mode | 33 58 111 040 0004 | 40 ± 0,4 | m |
| 5 | Fiber optic cable breakout Multi Mode | 33 58 111 030 0004 | 30 ± 0,3 | m |
| 4 | Fiber optic cable breakout Multi Mode | 33 58 111 020 0004 | 20 ± 0,2 | m |
| 3 | Fiber optic cable breakout Multi Mode | 33 58 111 010 0004 | 10 ± 0,1 | m |
| 2 | Fiber optic cable breakout Multi Mode | 33 58 111 005 0004 | 5 ± 0,05 | m |
| 1 | Fiber optic cable breakout Multi Mode | 33 58 111 001 0004 | 1 ± 0,015 | m |

| Cont No. | Type of cable | Part-No. | Dim. a |
|----------|---------------|----------|--------|
|----------|---------------|----------|--------|

| | | | | | |
|---|----------|-------------------|--|---|--|
| All Dimensions in mm Original Size DIN A 3 | | Techn. Character. | | Nicht tolerierte Maß/Free size tolerances | |
| | | Dat. | Name | Maßstab/Scale | FO cable assembly 1xPush Pull LC duplex Multimode 50 μm |
| | | Detail. | 16.11.09 MR | | |
| | | Insp. | 16.11.09 RA | | |
| DRS946A | 16.05.11 | RO | | | |
| DRS761A | 07.07.10 | MS | | | |
| DRS539B | | | | | |
| Mod. | Dat. | Name | HARTING Electronics GmbH & Co. KG D-32339 ESPELKAMP | | TB 33 58 111 xxx 0004 Sub. |

Blatt/ page