



Chipsmall Limited consists of a professional team with an average of over 10 year of expertise in the distribution of electronic components. Based in Hongkong, we have already established firm and mutual-benefit business relationships with customers from,Europe,America and south Asia,supplying obsolete and hard-to-find components to meet their specific needs.

With the principle of "Quality Parts,Customers Priority,Honest Operation,and Considerate Service",our business mainly focus on the distribution of electronic components. Line cards we deal with include Microchip,ALPS,ROHM,Xilinx,Pulse,ON,Everlight and Freescale. Main products comprise IC,Modules,Potentiometer,IC Socket,Relay,Connector.Our parts cover such applications as commercial,industrial, and automotives areas.

We are looking forward to setting up business relationship with you and hope to provide you with the best service and solution. Let us make a better world for our industry!



Contact us

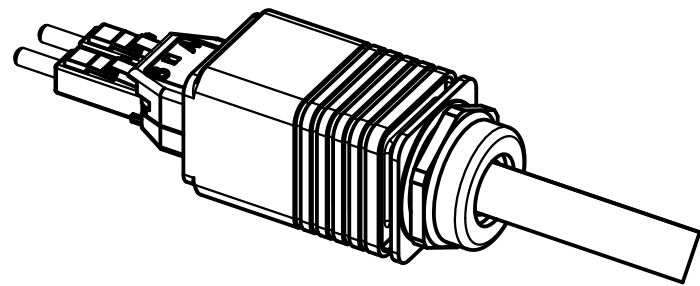
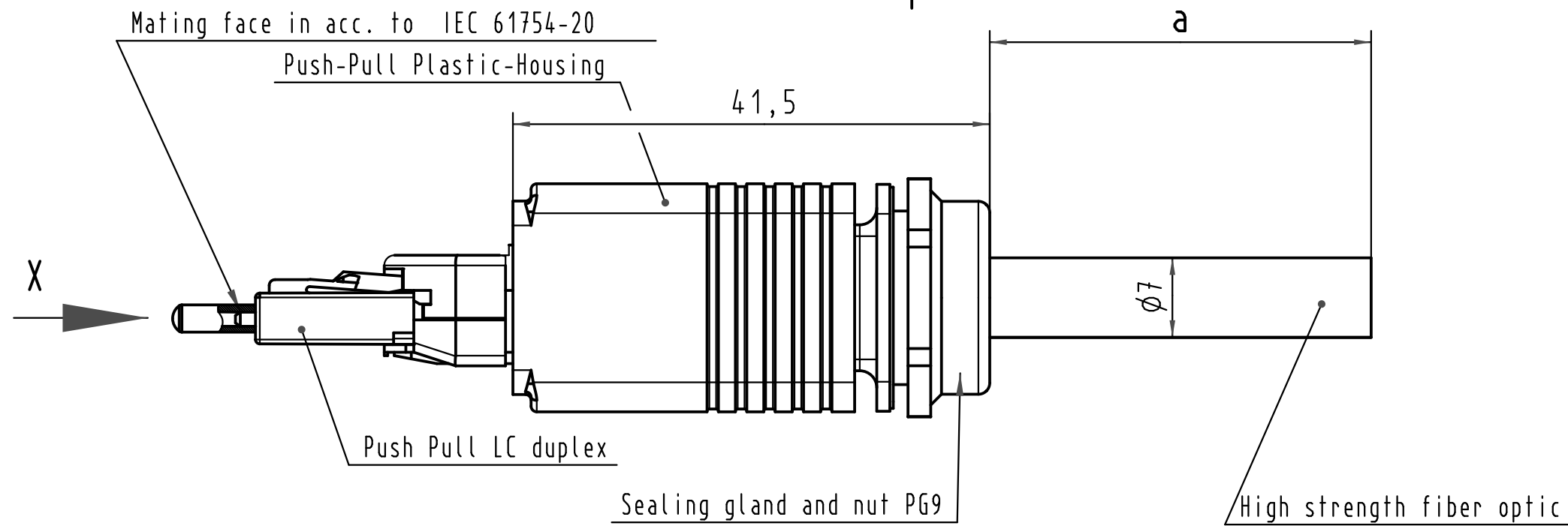
Tel: +86-755-8981 8866 Fax: +86-755-8427 6832

Email & Skype: info@chipsmall.com Web: www.chipsmall.com

Address: A1208, Overseas Decoration Building, #122 Zhenhua RD., Futian, Shenzhen, China



Alle Rechte vorbehalten/ All rights reserved



Loading-Plan

- A — blue
- B — orange

-Protection level: IP67/65
 -Temperature range: -40°C ...+70°C

9	High strength fiber optic breakout cable multimode	33 58 111 300 0001	300 m
8	High strength fiber optic breakout cable multimode	33 58 111 100 0001	100 m
7	High strength fiber optic breakout cable multimode	33 58 111 060 0001	60 m
6	High strength fiber optic breakout cable multimode	33 58 111 050 0001	50 m
5	High strength fiber optic breakout cable multimode	33 58 111 040 0001	40 m
4	High strength fiber optic breakout cable multimode	33 58 111 020 0001	20 m
3	High strength fiber optic breakout cable multimode	33 58 111 010 0001	10 m
2	High strength fiber optic breakout cable multimode	33 58 111 005 0001	5 m
1	High strength fiber optic breakout cable multimode	33 58 111 001 0001	1 m

Cont No.	Type of cable	Part-No.	Dim. a
----------	---------------	----------	--------

All Dimensions in mm Original Size DIN A 3			Techn. Character.			Nicht tolerierte Maß/Free size tolerances		
				Dat.	Name	Maßstab/Scale 2:1	Push Pull fiber optic assembly 1xPush Pull LC DUPLEX, plastic multimode, 62.5 µm	
				05.08.08	MS			
EC00166	17.02.09	MR					TB 33 58 111 xxx 0001	
35025	10.11.08	MS						
35008								
Mod.	Dat.	Name	HARTING Electronics GmbH & Co. KG D-32339 ESPELKAMP					Blatt/ page
						Sub.		