



Chipsmall Limited consists of a professional team with an average of over 10 year of expertise in the distribution of electronic components. Based in Hongkong, we have already established firm and mutual-benefit business relationships with customers from,Europe,America and south Asia,supplying obsolete and hard-to-find components to meet their specific needs.

With the principle of "Quality Parts,Customers Priority,Honest Operation,and Considerate Service",our business mainly focus on the distribution of electronic components. Line cards we deal with include Microchip,ALPS,ROHM,Xilinx,Pulse,ON,Everlight and Freescale. Main products comprise IC,Modules,Potentiometer,IC Socket,Relay,Connector.Our parts cover such applications as commercial,industrial, and automotives areas.

We are looking forward to setting up business relationship with you and hope to provide you with the best service and solution. Let us make a better world for our industry!



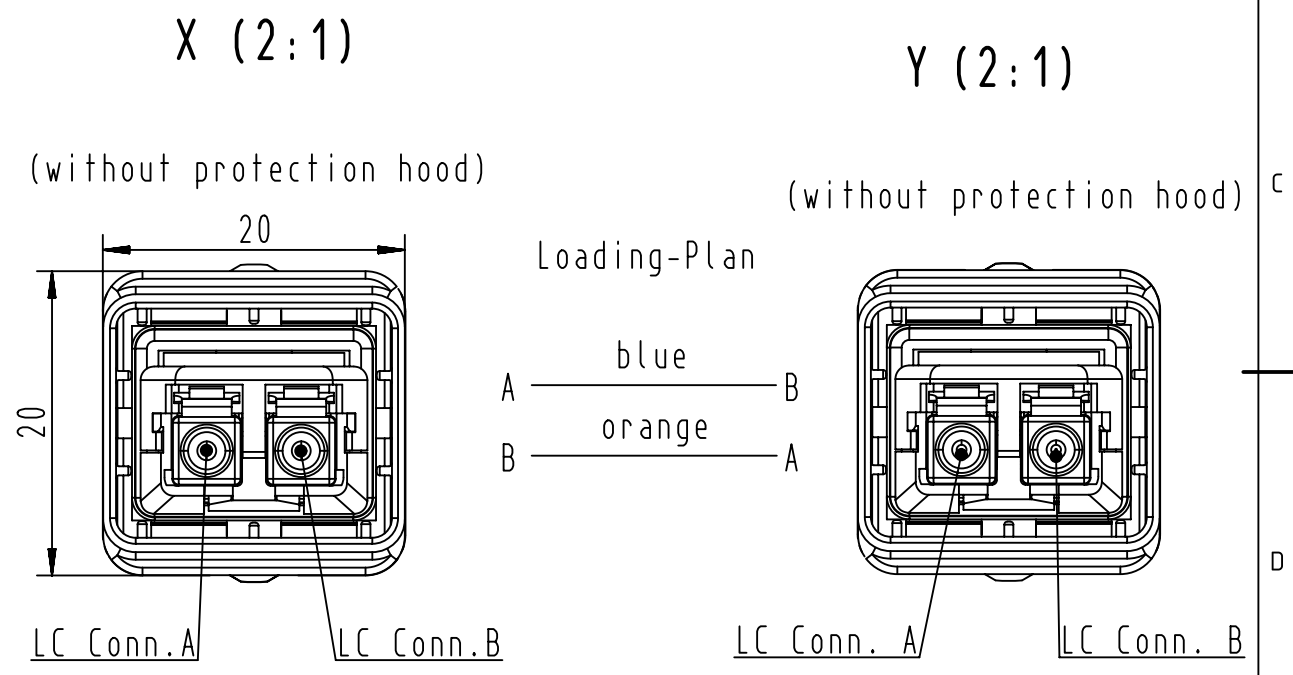
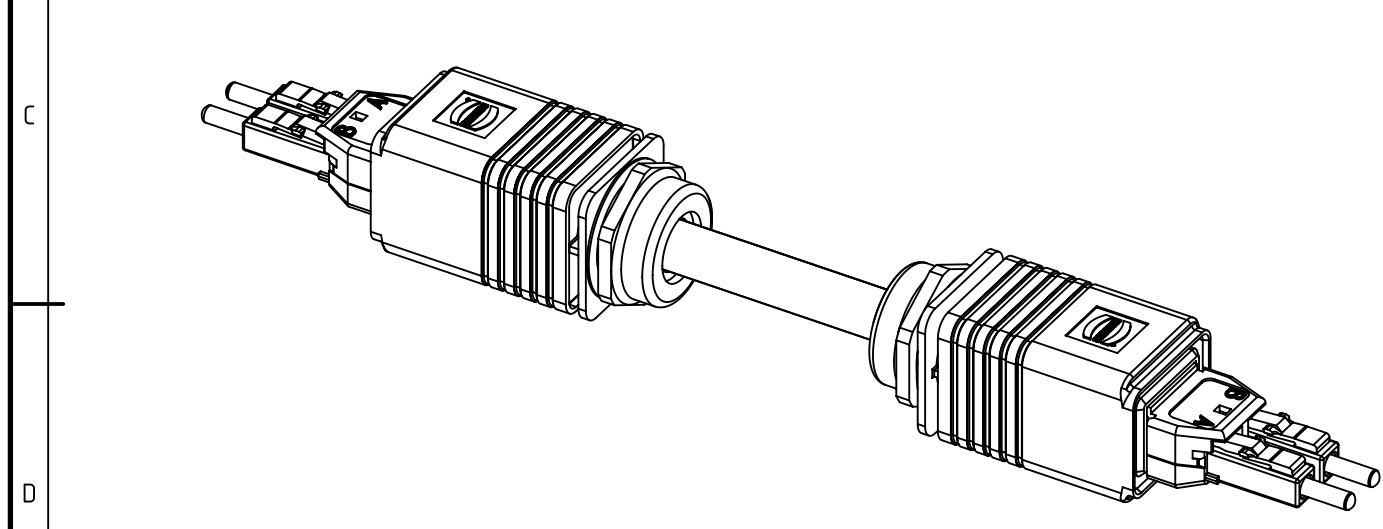
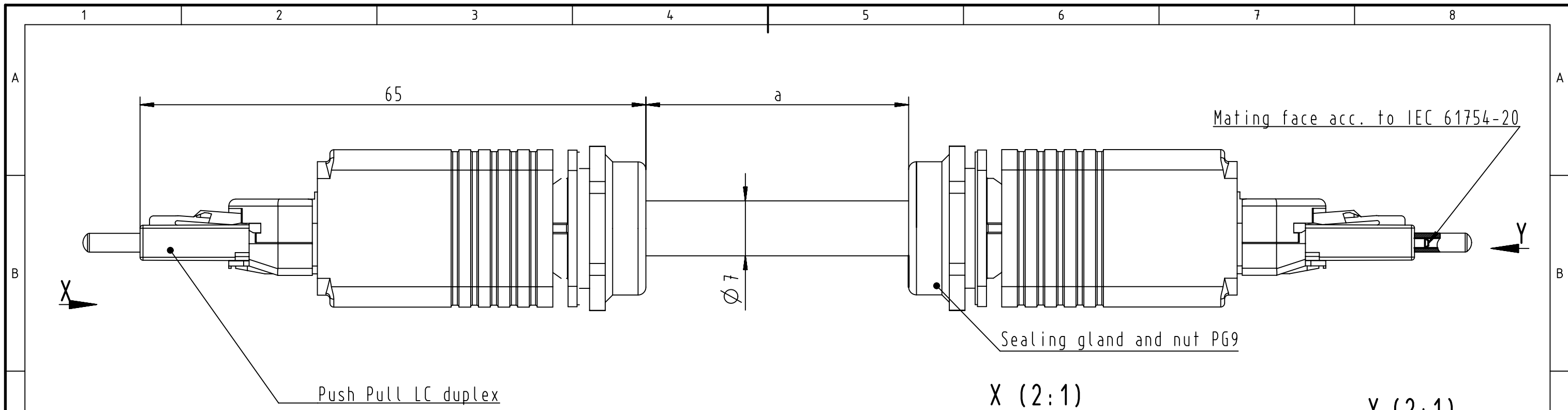
Contact us

Tel: +86-755-8981 8866 Fax: +86-755-8427 6832

Email & Skype: info@chipsmall.com Web: www.chipsmall.com

Address: A1208, Overseas Decoration Building, #122 Zhenhua RD., Futian, Shenzhen, China





-Protection level: IP67/65
 - Temperature range: -40°C ...+70°C

10	33582113000001	Fiber optic breakout cable MM 62.5/125	300
9	33582111000001		100
8	33582110600001		60
7	33582110500001		50
6	33582110400001		40
5	33582110200001		20
4	33582110100001		10
3	33582110050001		5
2	33582110030001		3
1	33582110010001		1
Cont. No.	Part-no.	Type of cable	Dim.a [m]

	All rights reserved Department EC PD - RO	All Dimensions in mm Original Size DIN A3	Scale 2:1	Free size tol.	Ref. Sub.
		Created by OLESCHR	Inspected by AVRAM	Standardisation HOFFMANN	Date 2013-05-31
Title Fiber optic cable assembly					State Final Release
HARTING Electronics GmbH D-32339 Espelkamp		Type TB		Number 3358211XXX0001	Doc-Key / ECM-Nr. 100173352/UGD/009/A 50000062574 Rev. A Page 1/1