



Chipsmall Limited consists of a professional team with an average of over 10 year of expertise in the distribution of electronic components. Based in Hongkong, we have already established firm and mutual-benefit business relationships with customers from,Europe,America and south Asia,supplying obsolete and hard-to-find components to meet their specific needs.

With the principle of “Quality Parts,Customers Priority,Honest Operation,and Considerate Service”,our business mainly focus on the distribution of electronic components. Line cards we deal with include Microchip,ALPS,ROHM,Xilinx,Pulse,ON,Everlight and Freescale. Main products comprise IC,Modules,Potentiometer,IC Socket,Relay,Connector.Our parts cover such applications as commercial,industrial, and automotives areas.

We are looking forward to setting up business relationship with you and hope to provide you with the best service and solution. Let us make a better world for our industry!



## Contact us

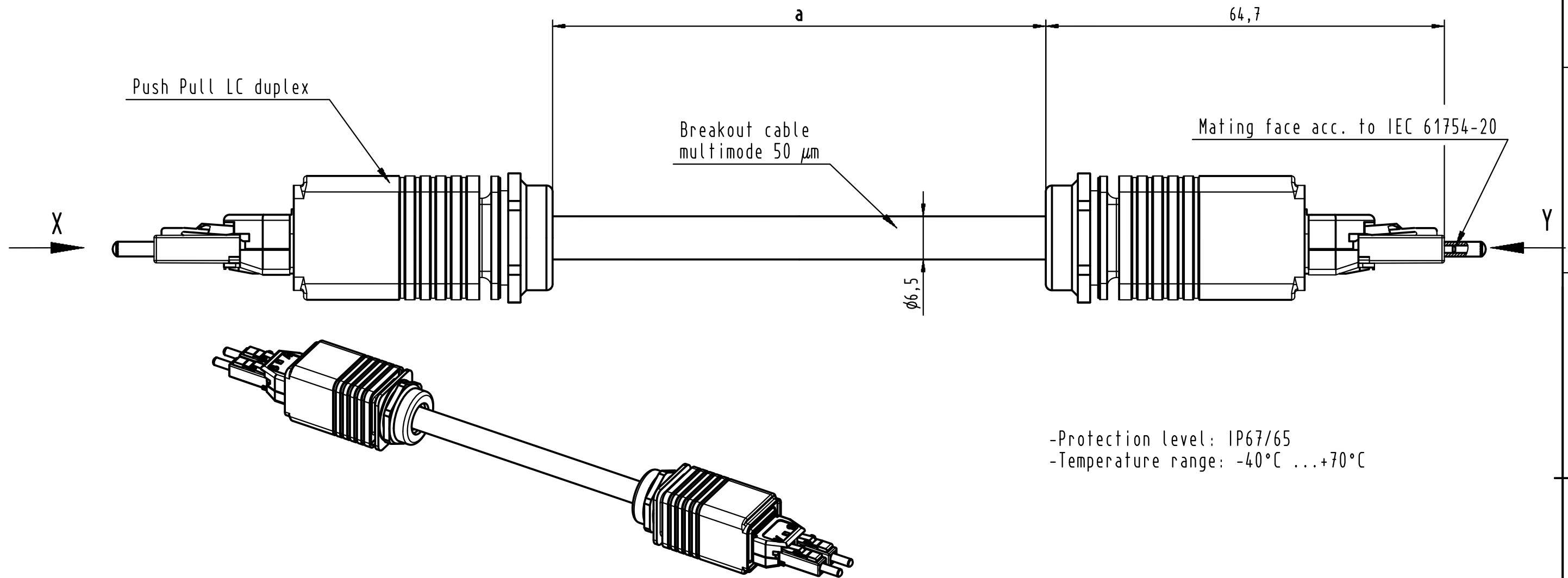
Tel: +86-755-8981 8866 Fax: +86-755-8427 6832

Email & Skype: info@chipsmall.com Web: www.chipsmall.com

Address: A1208, Overseas Decoration Building, #122 Zhenhua RD., Futian, Shenzhen, China

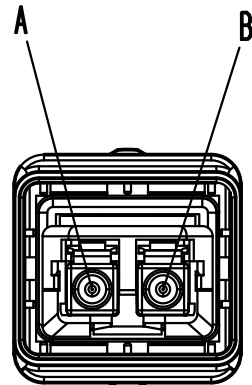


Alle Rechte vorbehalten/ All rights reserved



-Protection level: IP67/65  
-Temperature range: -40°C ...+70°C

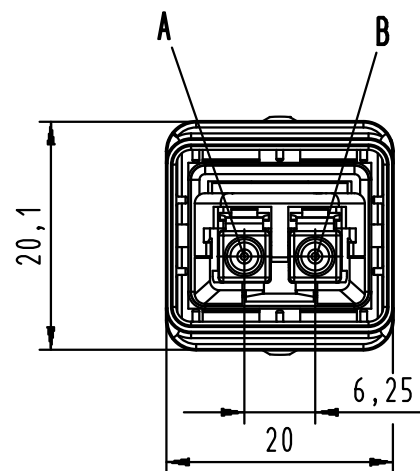
X  
without protection cap



Loading-Plan

A — blue — B  
B — orange — A

Y  
without protection cap



9	Fiber optic cable breakout Multi Mode	33 58 211 300 0004	300 ± 3 m
8	Fiber optic cable breakout Multi Mode	33 58 211 100 0004	100 ± 1 m
7	Fiber optic cable breakout Multi Mode	33 58 211 060 0004	60 ± 0,6 m
6	Fiber optic cable breakout Multi Mode	33 58 211 050 0004	50 ± 0,5 m
5	Fiber optic cable breakout Multi Mode	33 58 211 040 0004	40 ± 0,4 m
4	Fiber optic cable breakout Multi Mode	33 58 211 020 0004	20 ± 0,2 m
3	Fiber optic cable breakout Multi Mode	33 58 211 010 0004	10 ± 0,1 m
2	Fiber optic cable breakout Multi Mode	33 58 211 005 0004	5 ± 0,05 m
1	Fiber optic cable breakout Multi Mode	33 58 211 001 0004	1 ± 0,015 m

Cont No.	Type of cable	Part-No.	Dim. a
----------	---------------	----------	--------

All Dimensions in mm Original Size DIN A 3		Techn. Character.		Nicht tolerierte Maß/Free size tolerances																
		<table border="1"> <tr> <td></td> <td>Dat.</td> <td>Name</td> <td>Maßstab/Scale</td> </tr> <tr> <td>Detail.</td> <td>16.11.09</td> <td>MS</td> <td rowspan="3">/</td> </tr> <tr> <td>Insp.</td> <td>16.11.09</td> <td>RA</td> </tr> <tr> <td>Stand.</td> <td></td> <td></td> </tr> </table>			Dat.	Name	Maßstab/Scale	Detail.	16.11.09	MS	/	Insp.	16.11.09	RA	Stand.			<b>FO cable assembly</b> <b>2xPush Pull LC duplex</b> <b>Multimode 50 µm</b>		
	Dat.	Name	Maßstab/Scale																	
Detail.	16.11.09	MS	/																	
Insp.	16.11.09	RA																		
Stand.																				
<table border="1"> <tr> <td>DRS761A</td> <td>07.07.10</td> <td>MS</td> </tr> <tr> <td>DRS539B</td> <td></td> <td></td> </tr> <tr> <td>Mod.</td> <td>Dat.</td> <td>Name</td> </tr> </table>		DRS761A	07.07.10	MS	DRS539B			Mod.	Dat.	Name	<table border="1"> <tr> <td colspan="2">HARTING Electronics GmbH &amp; Co. KG</td> <td rowspan="2"> </td> <td rowspan="2"> <b>TB 33 58 211 xxx 0004</b> </td> <td rowspan="2">Blatt/ page</td> </tr> <tr> <td colspan="2">D-32339 ESPELKAMP</td> <td>Sub.</td> </tr> </table>		HARTING Electronics GmbH & Co. KG			<b>TB 33 58 211 xxx 0004</b>	Blatt/ page	D-32339 ESPELKAMP		Sub.
DRS761A	07.07.10	MS																		
DRS539B																				
Mod.	Dat.	Name																		
HARTING Electronics GmbH & Co. KG			<b>TB 33 58 211 xxx 0004</b>	Blatt/ page																
D-32339 ESPELKAMP					Sub.															

For Information Only  
won't be replaced when changed