



Chipsmall Limited consists of a professional team with an average of over 10 year of expertise in the distribution of electronic components. Based in Hongkong, we have already established firm and mutual-benefit business relationships with customers from,Europe,America and south Asia,supplying obsolete and hard-to-find components to meet their specific needs.

With the principle of “Quality Parts,Customers Priority,Honest Operation,and Considerate Service”,our business mainly focus on the distribution of electronic components. Line cards we deal with include Microchip,ALPS,ROHM,Xilinx,Pulse,ON,Everlight and Freescale. Main products comprise IC,Modules,Potentiometer,IC Socket,Relay,Connector.Our parts cover such applications as commercial,industrial, and automotives areas.

We are looking forward to setting up business relationship with you and hope to provide you with the best service and solution. Let us make a better world for our industry!



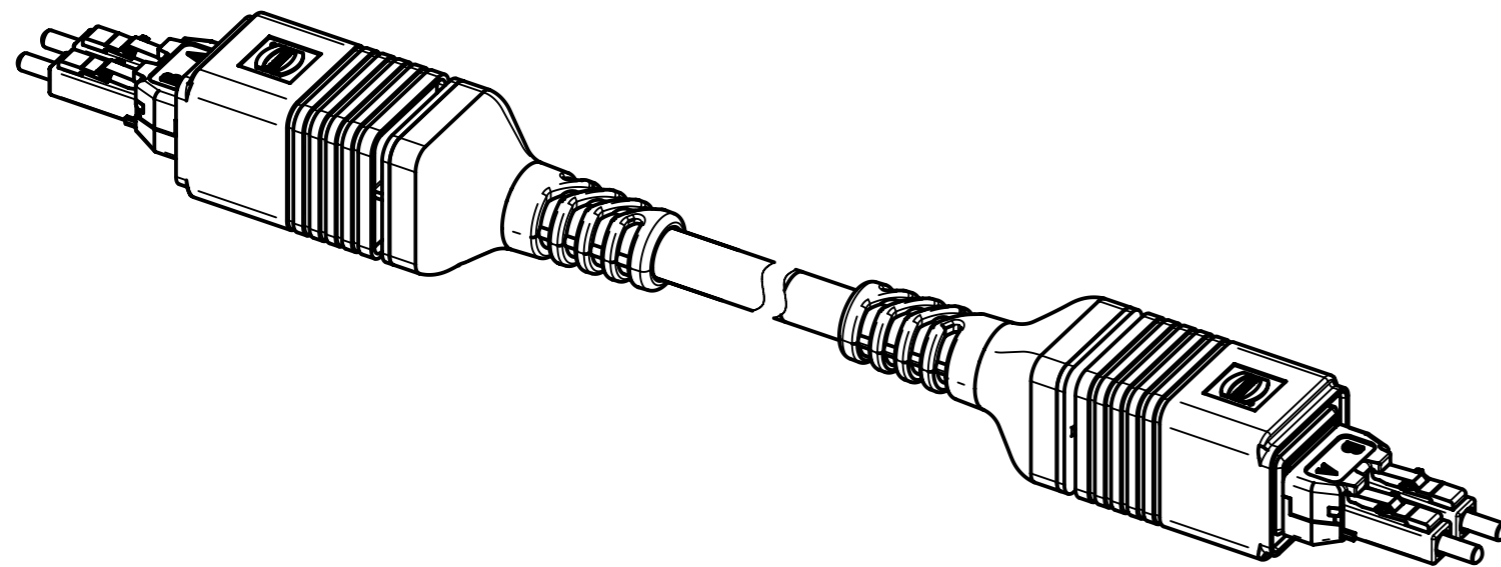
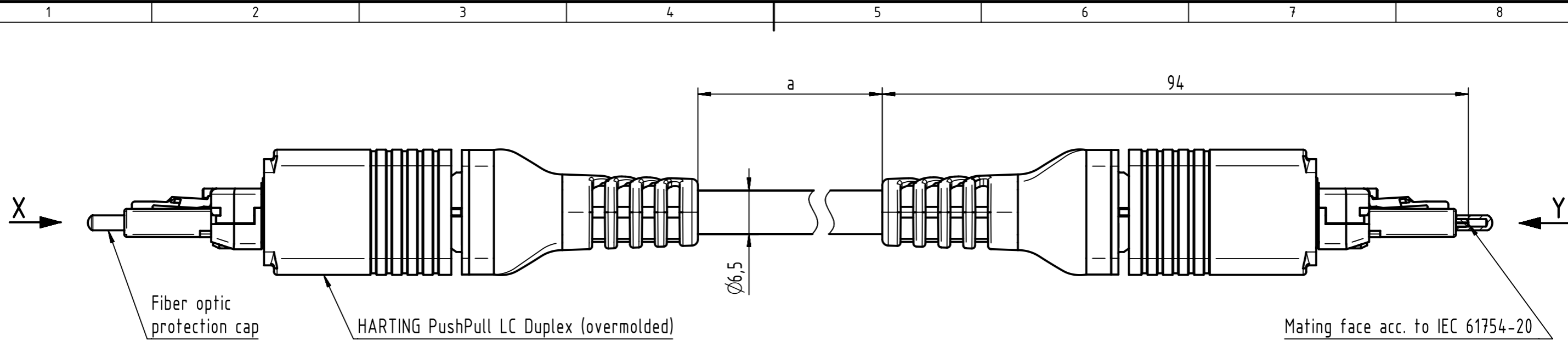
Contact us

Tel: +86-755-8981 8866 Fax: +86-755-8427 6832

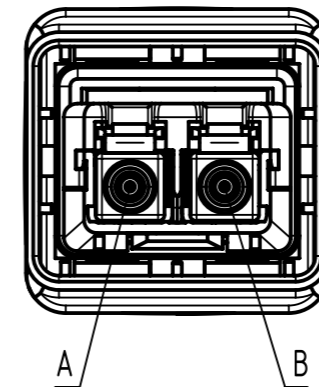
Email & Skype: info@chipsmall.com Web: www.chipsmall.com

Address: A1208, Overseas Decoration Building, #122 Zhenhua RD., Futian, Shenzhen, China





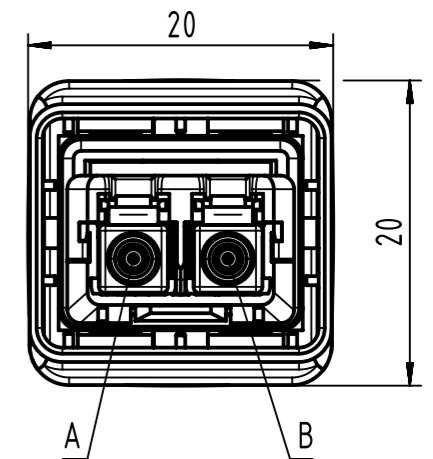
X (2:1)
(without FO protection cap)



Loading-Plan

blue — A — B
orange — B — A

Y (2:1)
(without FO protection cap)



-Protection level: IP67/65
-Temperature range: -40°C ... +70°C

Cont. No.	Part - no.	Type of cable	Dim. a[m]
12	33582313000017	F.O. breakout cable MM 50/125µm	300
11	33582311500017		150
10	33582311000017		100
9	33582310600017		60
8	33582310500017		50
7	33582310400017		40
6	33582310250017		25
5	33582310200017		20
4	33582310100017		10
3	33582310050017		5
2	33582310030017		3
1	33582310010017		1

All rights reserved Department EC PD - RO		All Dimensions in mm Original Size DIN A3	Scale 1.5:1	Free size tol.	Ref. Sub.
HARTING Electronics GmbH D-32339 Espelkamp		Created by POPESCU	Inspected by TAMAS	Standardisation HOFFMANN	Date 2015-10-30
Title HARTING PushPull LC Cable Assembly		Type TB		Number 3358231XXX0017	State Final Release
Doc-Key / ECM-Nr. 100506253/UGD/003/C 50000096306					Rev. C
					Page 1/1