



Chipsmall Limited consists of a professional team with an average of over 10 year of expertise in the distribution of electronic components. Based in Hongkong, we have already established firm and mutual-benefit business relationships with customers from,Europe,America and south Asia,supplying obsolete and hard-to-find components to meet their specific needs.

With the principle of “Quality Parts,Customers Priority,Honest Operation,and Considerate Service”,our business mainly focus on the distribution of electronic components. Line cards we deal with include Microchip,ALPS,ROHM,Xilinx,Pulse,ON,Everlight and Freescale. Main products comprise IC,Modules,Potentiometer,IC Socket,Relay,Connector.Our parts cover such applications as commercial,industrial, and automotives areas.

We are looking forward to setting up business relationship with you and hope to provide you with the best service and solution. Let us make a better world for our industry!



## Contact us

Tel: +86-755-8981 8866 Fax: +86-755-8427 6832

Email & Skype: info@chipsmall.com Web: www.chipsmall.com

Address: A1208, Overseas Decoration Building, #122 Zhenhua RD., Futian, Shenzhen, China



# SURFBOARDS<sup>®</sup>

THE BREADBOARDING MEDIUM FOR **SURFACE MOUNT**™



## 33000 SERIES APPLICATION SPECIFIC ADAPTERS

IDS33608  
REV A-10-2011

MODEL **33608**

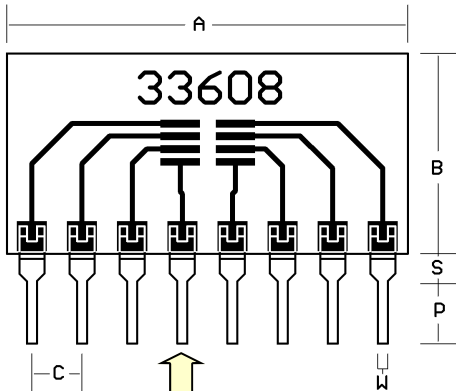
8 LEAD .65 mm PITCH DEVICES

**DEVICE LEAD WIDTHS**  
1.9, 2.0, 2.8, To Max 3.8 MM

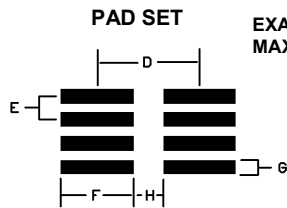
ACCEPTS  
PARTIAL LISTING

**SOT-23-8, SOT-28, TSOT-23-8**

- ALPHA OMEGA      **DFN 3x2A-8L-NEP-P**
- ANALOG            **RJ-8, UJ-8**
- PANASONIC        **WMini8-F1**
- RENESAS          **VSOF (1629) 8 PIN, VSOF (2429) 8 PIN**
- ROHM              **TSMT-8, TSST-8**
- TEXAS INST.      **DCN (R-PDSO-G8) SSOP**
- TOSHIBA          **PS-8, VS-8**
- VISHAY            **1206-8**

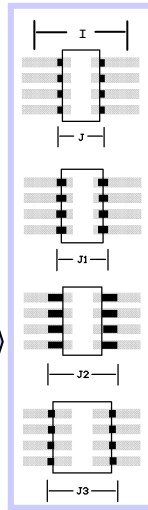


**SINGLE-IN-LINE (SIP) PINS**  
ON .100 in. CENTERS



EXAMPLE DEVICES (J)  
MAX DEVICE WIDTH (I)

DRAWINGS  
NOT TO  
SCALE



ALWAYS CONSULT DEVICE DATA SHEET TO INSURE PROPER FIT

FIG.	MM	IN.	NOTE:
A	20.32	.800	BOARD WIDTH +/- .5mm .020in.
B	10.16	.400	BOARD HEIGHT +/- .5mm .020in.
C	2.54	.100	SIP PIN SPACE +/- .20mm .008in.
D	2.8	.110	PAD CENTERLINE
E	.65	.025	DEVICE LEAD PITCH
F	2.0	.079	PAD LENGTH
G	.4	.016	PAD WIDTH
H	.8	.031	GAP
I	3.4	.134	MAX LEAD WIDTH
J	1.9	.075	TYPICAL LEAD WIDTH
J1	2.0	.079	ALTERNATE LEAD WIDTH
J2	2.8	.110	ALTERNATE LEAD WIDTH
J3	2.8	.110	ALTERNATE PACKAGE
P	3.3	.130	LENGTH FROM SHOULDER +/- .5mm .020in.
S	1.57	.062	PIN SHOULDER HEIGHT
W	.5	.020	PIN WIDTH

MOUNTING PADS ARE OVERSIZED IN LENGTH TO ACCEPT A WIDER RANGE OF DEVICE WIDTHS AND TOLERANCES AND TO PERMIT HAND SOLDERING.  
**SEE WEBSITE FOR SOLDERING SUGGESTIONS**

### BOARD SPECIFICATIONS

**BOARD MATERIAL:** .8mm, +/- .13mm .031in +/- .005 in. Thick G-10 FR-4 Glass Epoxy or equivalent.  
**CIRCUITS:** 1 oz. Copper with RoHS compliant Lead Free solder coating. Patten Position on board +/- .5mm .020in.



TOLERANCES: If not noted are +/- 20%. Nominal values are given. Controlling unit is Millimeters. Values rounded to nearest decimal. Slight Variations due to manufacturing process can occur.

Copyright 2011 by Capital Advanced Technologies, Inc. All rights reserved. Surfboards is a registered trademark of Capital Advanced Technologies, Inc. The Breadboarding medium for surface mount, Just add parts and plug-in, and the Leaf Circuit Logo are trademarks of Capital Advanced Technologies, Inc. All other trademarks are the property of their respective owners. Specifications, availability, and price is subject to change without notice. All information given is believed to be accurate but is not guaranteed. The user of information given or products represented by such information is responsible for determining the suitability of said information or products for a given purpose. No inducement is intended or permission granted for infringement of any patent or unauthorized use of any intellectual property of Capital Advanced Technologies or others.

**CAPITAL ADVANCED TECHNOLOGIES, INC.**  
CAROL STREAM, ILLINOIS, USA    PHONE 630-690-1696    FAX 630-690-2498  
**WWW.CapitalAdanced.Com**

MADE  
IN  
USA