



Chipsmall Limited consists of a professional team with an average of over 10 year of expertise in the distribution of electronic components. Based in Hongkong, we have already established firm and mutual-benefit business relationships with customers from,Europe,America and south Asia,supplying obsolete and hard-to-find components to meet their specific needs.

With the principle of “Quality Parts,Customers Priority,Honest Operation,and Considerate Service”,our business mainly focus on the distribution of electronic components. Line cards we deal with include Microchip,ALPS,ROHM,Xilinx,Pulse,ON,Everlight and Freescale. Main products comprise IC,Modules,Potentiometer,IC Socket,Relay,Connector.Our parts cover such applications as commercial,industrial, and automotives areas.

We are looking forward to setting up business relationship with you and hope to provide you with the best service and solution. Let us make a better world for our industry!



## Contact us

Tel: +86-755-8981 8866 Fax: +86-755-8427 6832

Email & Skype: info@chipsmall.com Web: www.chipsmall.com

Address: A1208, Overseas Decoration Building, #122 Zhenhua RD., Futian, Shenzhen, China



NOTES:

1. MATERIALS AND FINISHES:

SMA STR BHD JACK - BRASS, GOLD PLATING  
 CABLE - 1.37 MM TO AMC R/A PLUG

2. ELECTRICAL:

A. IMPEDANCE: 50 OHM, NOMINAL

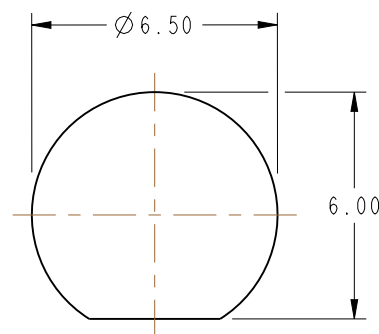
3. PACKAGING:

A. QUANTITY: SINGLE PACK  
 B. BAG TO BE MARKED: AMPHENOL RF, 336313-14-XXXX, AND DATE CODE

THIRD ANGLE PROJ.

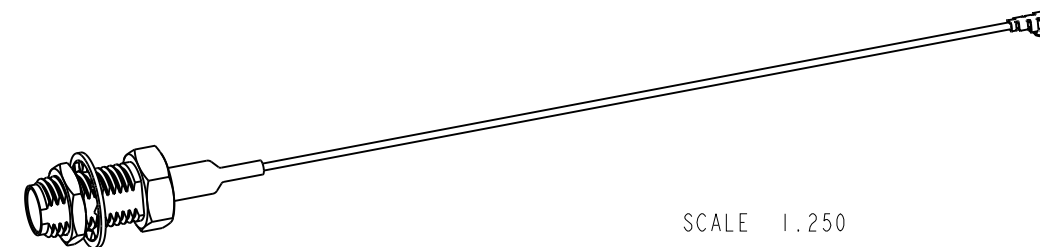
REVISIONS

| REV | DESCRIPTION                       | DATE      | ECO   | APPR |
|-----|-----------------------------------|-----------|-------|------|
| A   | RELEASE TO MFG                    | --        | --    | --   |
| B   | DRAWING UPDATED & COD SHEET ADDED | 28-Jul-15 | 50567 | NR   |
| C   | NO CHANGE TO THIS SHEET           | 30-Apr-18 | 7963  | BMG  |

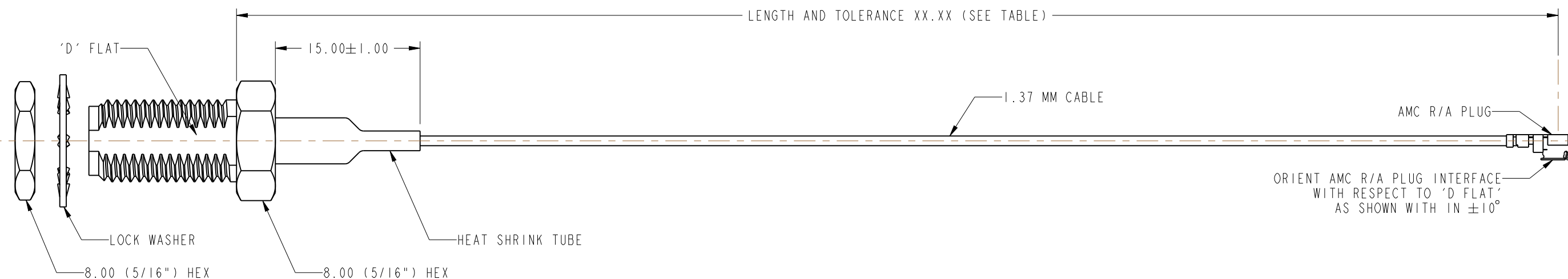


**RECOMMENDED MOUNTING HOLE DIMENSIONS**

(MAX. PANEL THICKNESS = 3.20 MM)



SCALE 1.250



| PART NUMBER    | LENGTH AND TOLERANCE XX.XX IN MM |
|----------------|----------------------------------|
| 336313-14-0050 | 50.00±5.00                       |
| 336313-14-0100 | 100.00±5.00                      |
| 336313-14-0150 | 150.00±5.00                      |
| 336313-14-0200 | 200.00±5.00                      |
| 336313-14-0250 | 250.00±5.00                      |
| 336313-14-0300 | 300.00±5.00                      |

DESIGN REQUIREMENTS:

- |   |   |
|---|---|
| <input checked="" type="checkbox"/> FREQUENCY : DC TO 6 GHz | <input checked="" type="checkbox"/> CONTINUITY        |
| <input type="checkbox"/> VSWR : ---- MAX                    | <input checked="" type="checkbox"/> HI-POT : 200 VRMS |
| <input type="checkbox"/> INS. LOSS : ---- dBMAX             | <input type="checkbox"/> OTHER                        |

**CUSTOMER OUTLINE DRAWING**  
 ALL OTHER SHEETS ARE FOR INTERNAL USE ONLY

UNLESS OTHERWISE SPECIFIED, DIMENSIONS ARE IN METRIC AND TOLERANCES ARE:  
 <0.5mm ±0.05mm    0.5 - 6mm ±0.1mm    6 - 30mm ±0.2mm    30 - 120mm ±0.3mm    ANGLES ±1°

NOTICE - These drawings, specifications, or other data (1) are, and remain the property of Amphenol corp. (2) must be returned upon request; and (3) are confidential and not to be disclosed to any person other than those to whom they are given by Amphenol Corp. the furnishing of these drawings, specifications, or other data by Amphenol Corp., or to any other person to anyone for any purpose is not to be regarded by implication or otherwise in any manner licensing, granting rights to permitting such holder or any other person to manufacture, use or sell any product, process or design, patented or otherwise, that may in any way be related to or disclosed by said drawings, specifications, or other data.

|                              |  |   |              |                                   |  |
|------------------------------|--|---|--------------|-----------------------------------|--|
| MATERIAL<br>SEE NOTES        | DRAWN<br>RAJAGOPAL N<br>DATE<br>19-May-15    | TITLE<br>SMA STR BHD JACK<br>TO AMC R/A PLUG<br>USING 1.37 MM CABLE<br>VARIOUS LENGTH |              | Amphenol RF<br>www.amphenolrf.com |  |
| REFERENCE<br>EAR # 6751      | ENGINEER<br>RAJAGOPAL N<br>DATE<br>19-May-15 | APPROVED<br>K.CAPOZZI<br>DATE<br>30-Apr-18  |              | DRAWING NO. 336313-14-XXXX        |  |
| CONFIGURATION LEVEL: In Work | CAD FILE                                     | SCALE: 3.0:1.0  | SHEET 2 OF 2 | ITEM NO. 336313-14-XXXX           |  |
| FINISH                       |  | DWG SIZE<br>B   | REV<br>C     | PART NO. 336313-14-XXXX           |  |