



Chipsmall Limited consists of a professional team with an average of over 10 year of expertise in the distribution of electronic components. Based in Hongkong, we have already established firm and mutual-benefit business relationships with customers from,Europe,America and south Asia,supplying obsolete and hard-to-find components to meet their specific needs.

With the principle of “Quality Parts,Customers Priority,Honest Operation,and Considerate Service”,our business mainly focus on the distribution of electronic components. Line cards we deal with include Microchip,ALPS,ROHM,Xilinx,Pulse,ON,Everlight and Freescale. Main products comprise IC,Modules,Potentiometer,IC Socket,Relay,Connector.Our parts cover such applications as commercial,industrial, and automotives areas.

We are looking forward to setting up business relationship with you and hope to provide you with the best service and solution. Let us make a better world for our industry!



Contact us

Tel: +86-755-8981 8866 Fax: +86-755-8427 6832

Email & Skype: info@chipsmall.com Web: www.chipsmall.com

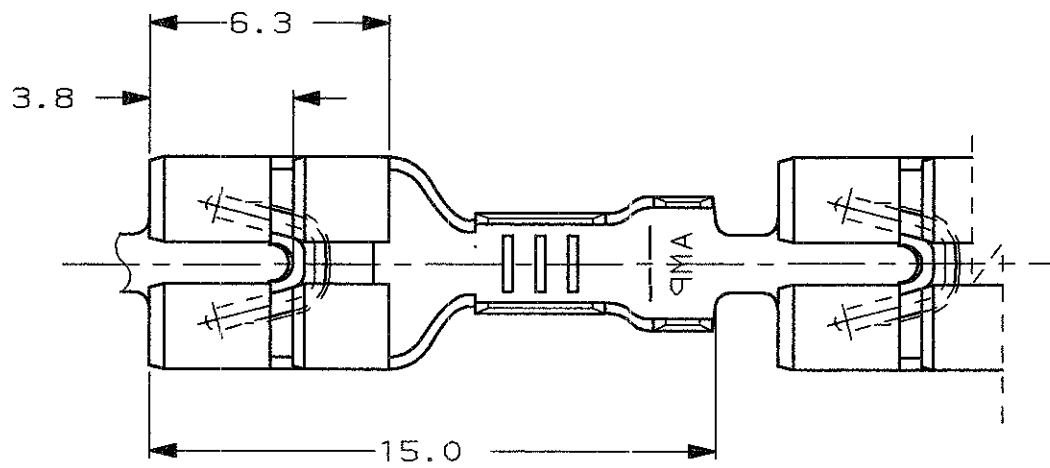
Address: A1208, Overseas Decoration Building, #122 Zhenhua RD., Futian, Shenzhen, China



SCALA NON IMPEGNATIVA
(DO NOT SCALE)
DIMENSIONI IN mm
(DIMENSIONS IN mm)

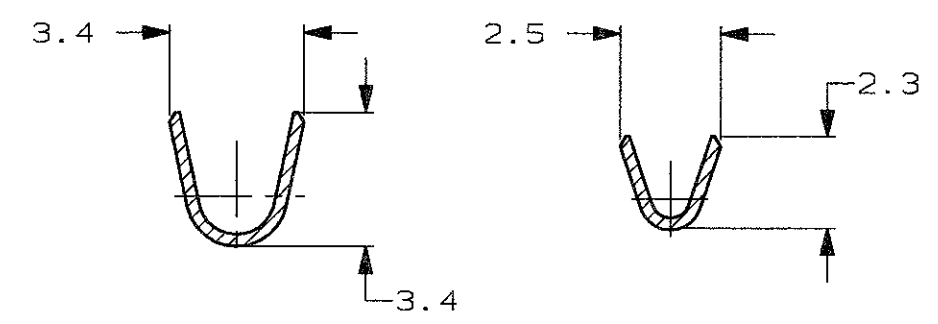
METRIC

PROIEZIONE EUROPEA
(EUROPEAN PROJECTION)

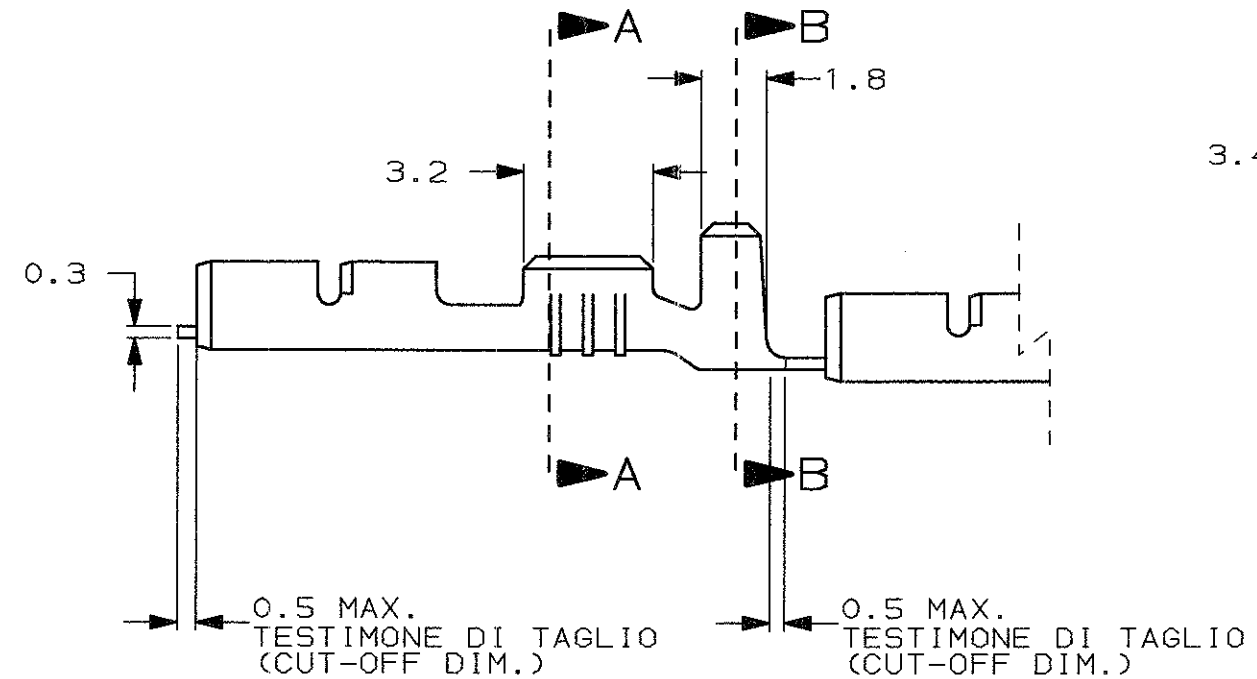
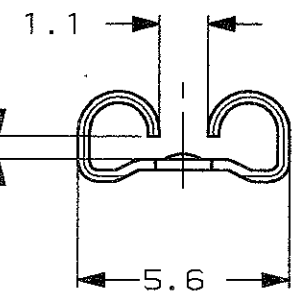


SEZIONE B-B
(SECTION B-B)

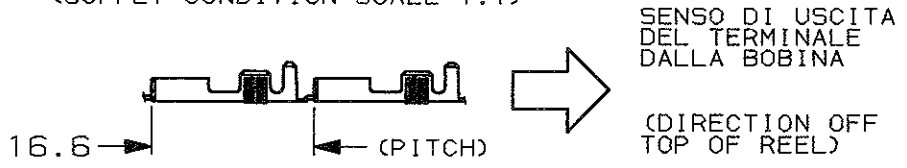
SEZIONE A-A
(SECTION A-A)



ADATTO PER
TAB 0.8 mm.
(FOR 0.8 mm
TAB THK.)



1) STATO DI FORNITURA SCALA 1:1
(SUPPLY CONDITION SCALE 1:1)



- 2) SPECIFICA DI PRODOTTO 108-19077
(PRODUCT SPEC. 108-19077)
- 3) SPECIFICA DI AGGRAFFATURA 114-19025
(APPLICATION SPEC. 114-19025)

NUDO (UNPLATED)	OTTONE (BRASS)	0-338011-1	D
FINITURA / COLORE (FINISH / COLOUR)	MATERIALE (MATERIAL)	NUMERO (PART NUMBER)	REV

CUSTOMER DWG. FOR REFERENCE ONLY DISEGNO PER CLIENTE SOLO PER RIFERIMENTO

THIS DRAWING IS UNPUBLISHED RELEASE FOR PUBLICATION 19

© COPYRIGHT 19 BY AMP INCORPORATED, HARRISBURG, PA. ALL INTERNATIONAL RIGHTS RESERVED. AMP PRODUCTS MAY BE COVERED BY U.S. AND FOREIGN PATENT AND/OR PATENT PENDING

TOLLERANZE; SE NON DIVERSAMENTE SPECIFICATO (TOLERANCES, UNLESS OTHERWISE SPECIFIED)	DIA. ISOLANTE (INS. DIA. RANGE) mm	DIA. (WIRE RANGE) mm	RANGO FILO (WIRE RANGE) mm ²	SCALA (SCALE)
± 0.3	1.4-2.4	0.3-0.75		5:1

ANGOLI (ANGLES) ± 2°

DIS. (DR.) H. YAALI 03 APR 2000

DESCRIZIONE (DESCRIPTION) FASTON Connector, .187" sr. L.I.F. REC. CONTACT.

REV. (REV.)	DIS. (DR.)	DATA (DATE)	DESCRIZIONE (DESCRIPTION)
D	H.Y.	25 JUN 2001	CONT. C. TARTARI 03 APR 2000
C	H.Y.	08 MAR 2000	

LOC. (LOC.)	SIZE (SIZE)	NUMERO (DWG NO)	REV.	FOGLIO (SHEET)
I	A3	C-338011	D	1 DI 1

DISTRIBUZIONE (PRINT DIST.)