



Chipsmall Limited consists of a professional team with an average of over 10 year of expertise in the distribution of electronic components. Based in Hongkong, we have already established firm and mutual-benefit business relationships with customers from,Europe,America and south Asia,supplying obsolete and hard-to-find components to meet their specific needs.

With the principle of “Quality Parts,Customers Priority,Honest Operation,and Considerate Service”,our business mainly focus on the distribution of electronic components. Line cards we deal with include Microchip,ALPS,ROHM,Xilinx,Pulse,ON,Everlight and Freescale. Main products comprise IC,Modules,Potentiometer,IC Socket,Relay,Connector.Our parts cover such applications as commercial,industrial, and automotives areas.

We are looking forward to setting up business relationship with you and hope to provide you with the best service and solution. Let us make a better world for our industry!



Contact us

Tel: +86-755-8981 8866 Fax: +86-755-8427 6832

Email & Skype: info@chipsmall.com Web: www.chipsmall.com

Address: A1208, Overseas Decoration Building, #122 Zhenhua RD., Futian, Shenzhen, China

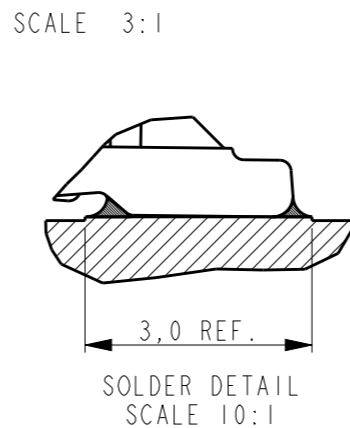
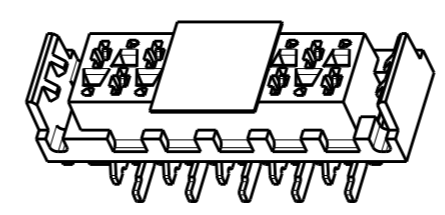
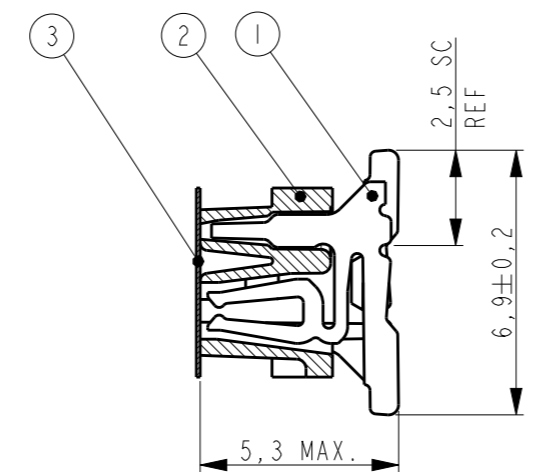
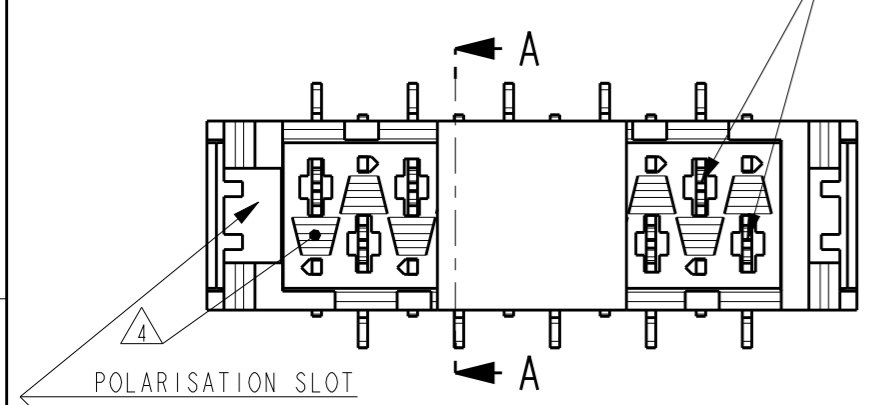


THIS DRAWING IS UNPUBLISHED. RELEASED FOR PUBLICATION. ALL RIGHTS RESERVED.

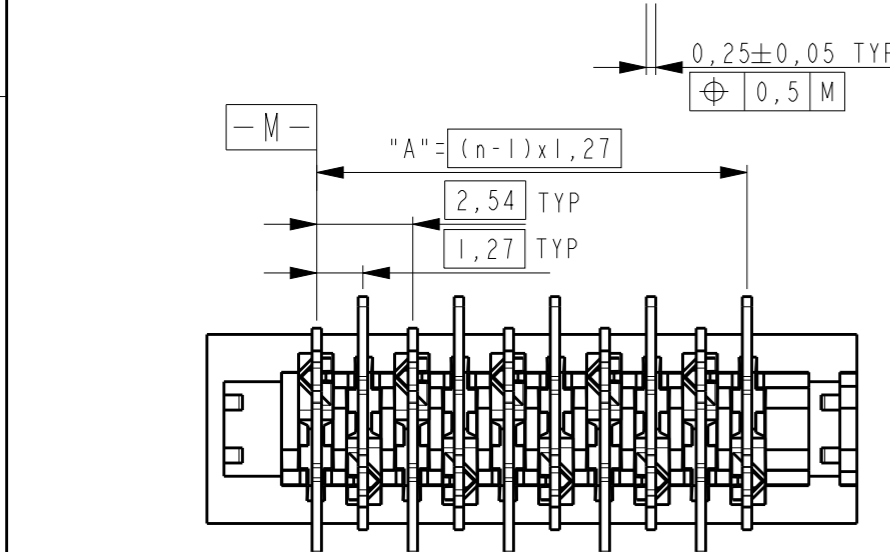
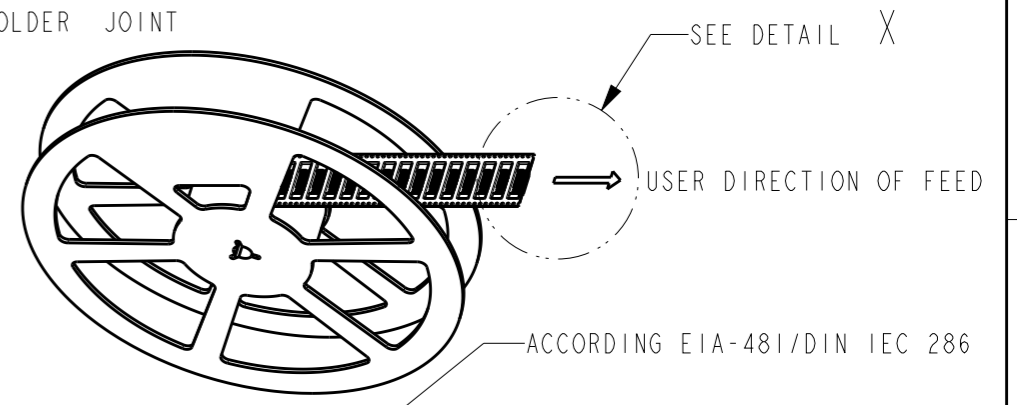
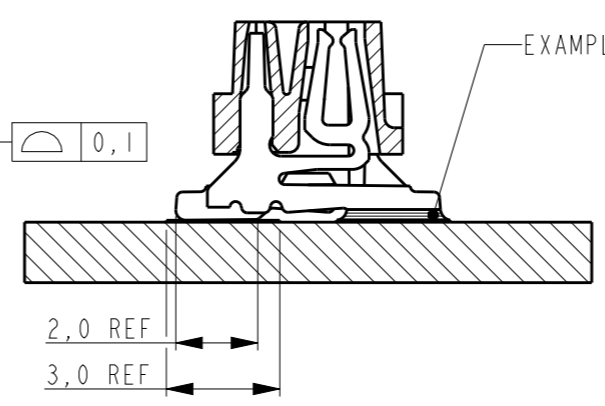
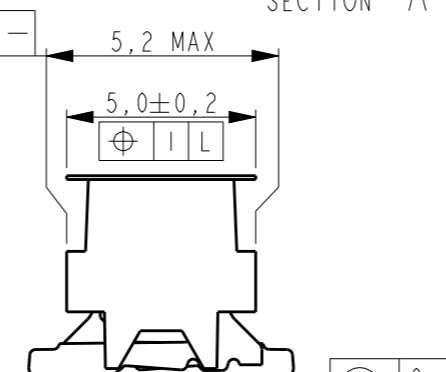
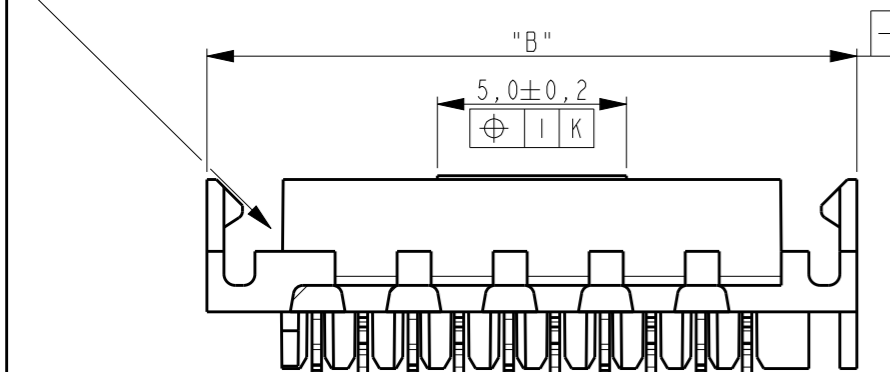
LOC H DIST -

REVISIONS					
P	LTR	DESCRIPTION	DATE	DWN	APVD
	H2	ADDED NOTE INDICATING POLARISATION SLOT	29OCT2012	SP	RP

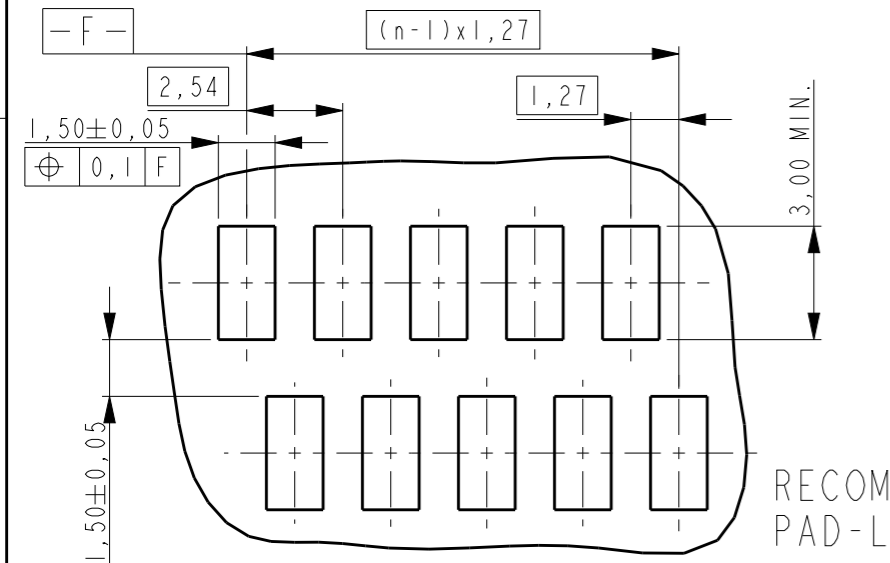
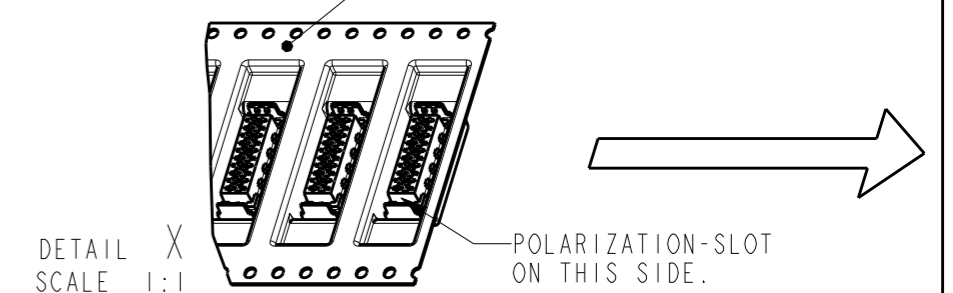
REFERENCE MATING INTERFACE PATTERN:
1,27 STAGGERED PITCH x 1,5 ROW-DISTANCE.



△1 PARTNUMBER VAC. TAPE.	△3 PARTNUMBER	NR. OF POS. "n"	"A"	"B" MAX.
7-338069-4	0-338069-4	4	3,81	9,7
7-338069-6	0-338069-6	6	6,35	12,2
7-338069-8	0-338069-8	8	8,89	14,7
8-338069-0	1-338069-0	10	11,43	17,3
8-338069-2	1-338069-2	12	13,97	19,8
8-338069-4	1-338069-4	14	16,51	22,4
8-338069-6	1-338069-6	16	19,05	24,9
8-338069-8	1-338069-8	18	21,59	27,4
9-338069-0	2-338069-0	20	24,13	30,0
9-338069-4	2-338069-4	24	29,21	35,0



- NOTES:
- △1 TAPE FOR VACUUM P&P ONLY FOR DASHNUMBERS 7- /8- /9-
 - 2 FOR PACKAGING SEE SHEET 2 AND 3
 - △3 WITHOUT VACUUM TAPE.
 - △4 CORING-OUTS FOR MANUFACTURING PURPOSE ONLY. SHAPE MAY VARY, BUT IS NOT FUNCTIONAL FOR THE APPLICATION.
 - 5 SHOWN IS A 10 POSITION CONNECTOR.



Item no.	Description	Material	Finish
3	PICK & PLACE TAPE	KAPTON	AMBER TRANSPARENT
2	FEMALE HOUSING	G.F.POLYAMIDE	RED
1	FEMALE CONTACT	PHOSPHOR BRONZE	TIN OVER NICKEL

THIS DRAWING IS A CONTROLLED DOCUMENT.	
DIMENSIONS: mm	TOLERANCES UNLESS OTHERWISE SPECIFIED:
0 PLC	±-
1 PLC	±-
2 PLC	±-
3 PLC	±-
4 PLC	±-
ANGLES	±-
MATERIAL	FINISH

DWN I DECO1
M. Gosselink

CHK -

APVD -

PRODUCT SPEC 108-19052

APPLICATION SPEC -

WEIGHT -

CUSTOMER DRAWING

STE TE Connectivity

CONNECTOR, FEMALE-ON-BOARD TOP-ENTRY, SMD, WITH LATCHES, Micro-MaTch

SIZE A3 CAGE CODE 00779 DRAWING NO C-338069 RESTRICTED TO -

SCALE 5:1 SHEET 1 OF 3 REV H2

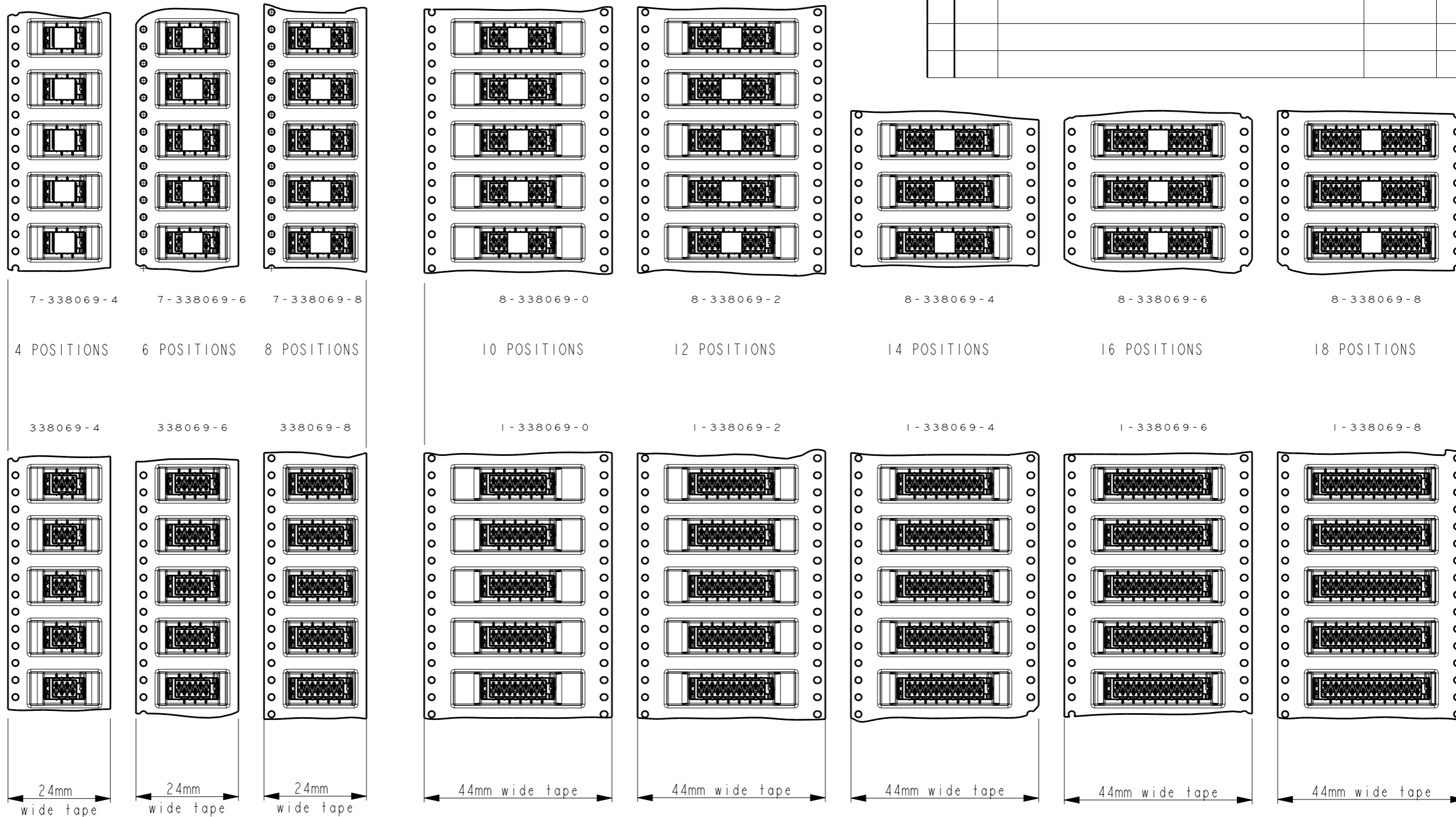
THIS DRAWING IS UNPUBLISHED.

RELEASED FOR PUBLICATION

© COPYRIGHT -

ALL RIGHTS RESERVED.

LOC	DIST	REVISIONS					
H	-	P	LTR	DESCRIPTION	DATE	DWN	APVD
				SEE SHEET 1			



THIS DRAWING IS A CONTROLLED DOCUMENT.		DWN M. Gosselink	I IDECO1	
DIMENSIONS: mm		CHK -	TE Connectivity	
TOLERANCES UNLESS OTHERWISE SPECIFIED:		APVD -	NAME CONNECTOR, FEMALE-ON-BOARD TOP-ENTRY, SMD, WITH LATCHES, Micro-MaTch	
0 PLC ±-		PRODUCT SPEC 108-19052	SIZE A3	CAGE CODE 00779
1 PLC ±-		APPLICATION SPEC -	DRAWING NO C-338069	RESTRICTED TO -
2 PLC ±-		WEIGHT -		
3 PLC ±-		CUSTOMER DRAWING		
4 PLC ±-		SCALE 5:1		
ANGLES ±-		SHEET 2 OF 3		
FINISH -		REV H2		

THIS DRAWING IS UNPUBLISHED.

RELEASED FOR PUBLICATION

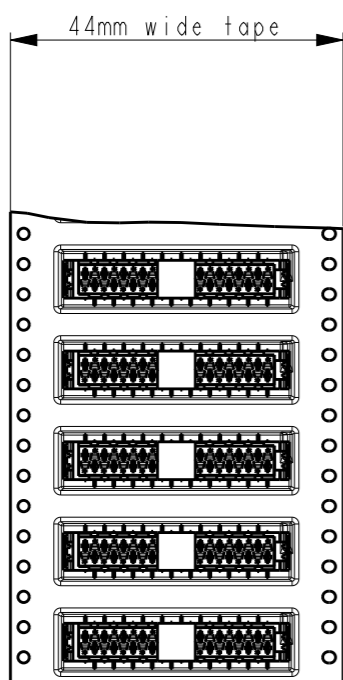
© COPYRIGHT -

ALL RIGHTS RESERVED.

LOC H DIST -

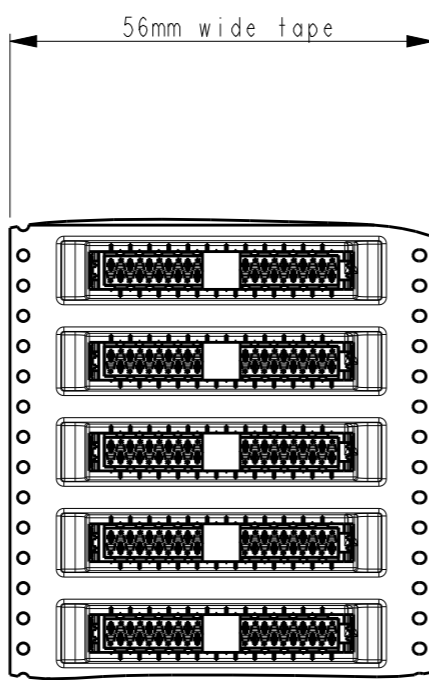
REVISIONS

P	LTR	DESCRIPTION	DATE	DWN	APVD
-	-	SEE SHEET 1	-	-	-



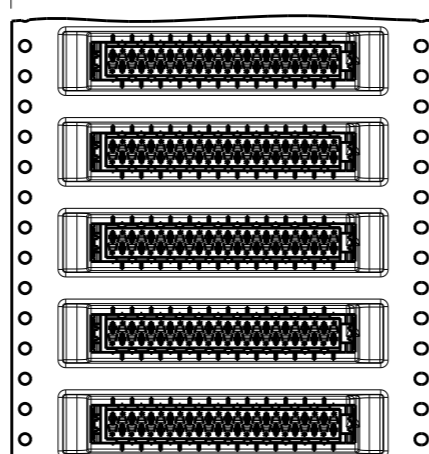
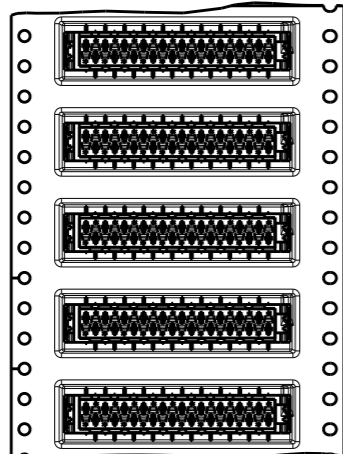
44mm wide tape

9-338069-0
20 POSITIONS
2-338069-0



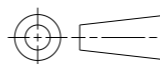
56mm wide tape

9-338069-4
24 POSITIONS
2-338069-4



THIS DRAWING IS A CONTROLLED DOCUMENT.

DIMENSIONS:
mm



TOLERANCES UNLESS OTHERWISE SPECIFIED:

- 0 PLC ±-
- 1 PLC ±-
- 2 PLC ±-
- 3 PLC ±-
- 4 PLC ±-
- ANGLES ±-

MATERIAL -

FINISH -

DWN M. Gosselink IDECO1

CHK -

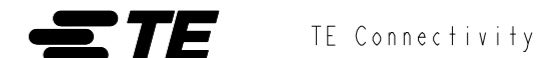
APVD -

PRODUCT SPEC 108-19052

APPLICATION SPEC -

WEIGHT -

CUSTOMER DRAWING



NAME
CONNECTOR,
FEMALE-ON-BOARD TOP-ENTRY,
SMD, WITH LATCHES, Micro-MaTch

SIZE A3 CAGE CODE 00779 DRAWING NO. C-338069 RESTRICTED TO -

SCALE 5:1 SHEET 3 OF 3 REV H2