



Chipsmall Limited consists of a professional team with an average of over 10 year of expertise in the distribution of electronic components. Based in Hongkong, we have already established firm and mutual-benefit business relationships with customers from,Europe,America and south Asia,supplying obsolete and hard-to-find components to meet their specific needs.

With the principle of “Quality Parts,Customers Priority,Honest Operation,and Considerate Service”,our business mainly focus on the distribution of electronic components. Line cards we deal with include Microchip,ALPS,ROHM,Xilinx,Pulse,ON,Everlight and Freescale. Main products comprise IC,Modules,Potentiometer,IC Socket,Relay,Connector.Our parts cover such applications as commercial,industrial, and automotives areas.

We are looking forward to setting up business relationship with you and hope to provide you with the best service and solution. Let us make a better world for our industry!



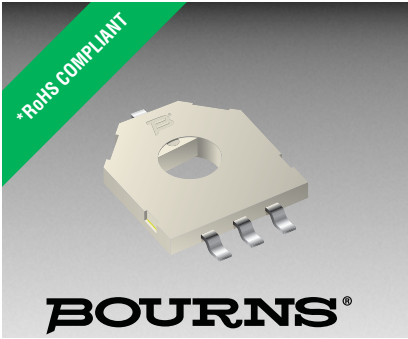
Contact us

Tel: +86-755-8981 8866 Fax: +86-755-8427 6832

Email & Skype: info@chipsmall.com Web: www.chipsmall.com

Address: A1208, Overseas Decoration Building, #122 Zhenhua RD., Futian, Shenzhen, China





Features

- Surface mount and through-hole versions
- 12 mm Square / Dustproof
- One million rotational cycles
- Thin profile
- RoHS compliant*

Applications

- Volume control on audio equipment
- Motion controllers
- Dishwasher control systems
- Automotive temperature range

3382 - 12 mm Rotary Position Sensor

Electrical Characteristics

Standard Resistance Range 2.5K to 100K ohms
Resistance Tolerance $\pm 30\%$ std.
Linearity $\pm 2\%$
Resolution Essentially infinite
Insulation Resistance @ 500 VDC 100 megohms min.
Dielectric Strength	
Sea Level 500 VAC
70,000 Feet 350 VAC
Adjustment Angle 330° nom.

Environmental Characteristics

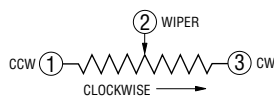
Power Rating (16 volts max.)	
50 °C 0.05 watt
120 °C 0 watt
Operating Temperature Range -40 °C to +120 °C
Temperature Coefficient ± 500 ppm/°C
Humidity TRS $\pm 20\%$
Shock 20 G TRS $\pm 10\%$; VRS $\pm 10\%$
Load Life @ 50 °C Rated Power TRS $\pm 10\%$ -20 %
Rotational Life 1,000,000 cycles TRS $\pm 20\%$
Thermal Shock 5 cycles TRS $\pm 20\%$; VRS $\pm 10\%$

Physical Characteristics

Mechanical Angle Continuous rotation
Torque 30 gf-cm max.
Weight Approximately 0.0321 g
Marking Resistance code and date code
Standard Packaging	
G Style 1000 pcs./13" reel
H Style 50 pcs./tube
IP Rating IP40

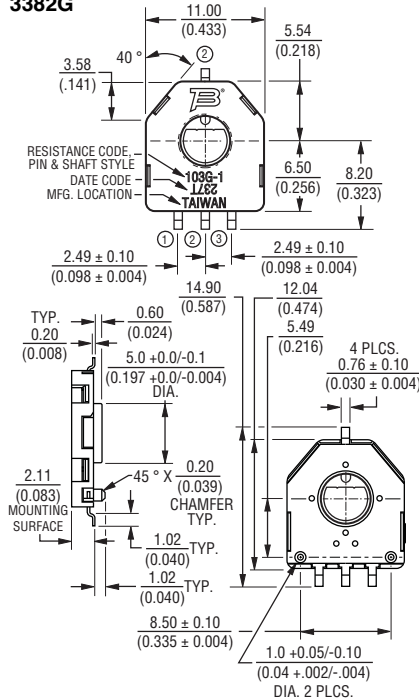
Standard Resistance Table

Resistance (Ohms)	Resistance Code
2,500	252
5,000	502
10,000	103
25,000	253
50,000	503
100,000	104



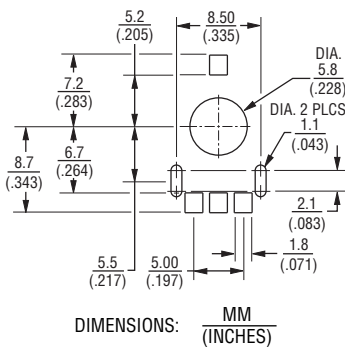
Product Dimensions

3382G



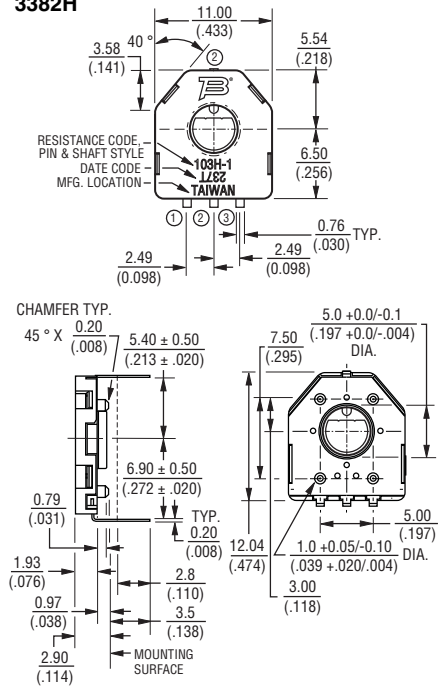
NOTE: ALL TERMINATIONS TO BE COPLANAR WITHIN $\frac{0.1}{(0.001)}$

Recommended Land Pattern

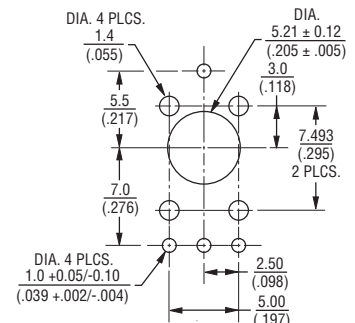
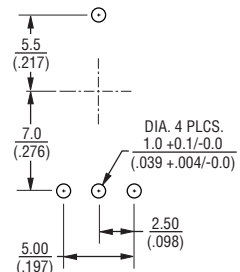


DIMENSIONS: MM (INCHES)

3382H



Recommended Land Patterns



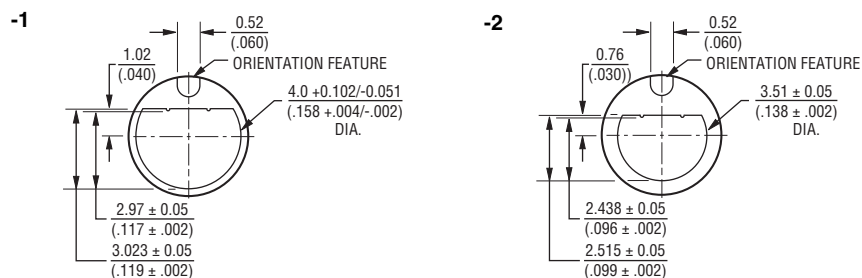
TOLERANCES: ± 0.30 UNLESS OTHERWISE NOTED
 $\pm (.012)$

*RoHS Directive 2002/95/EC Jan. 27, 2003 including annex and RoHS Recast 2011/65/EU June 8, 2011. Specifications are subject to change without notice. The device characteristics and parameters in this data sheet can and do vary in different applications and actual device performance may vary over time. Users should verify actual device performance in their specific applications.

3382 - 12 mm Rotary Position Sensor

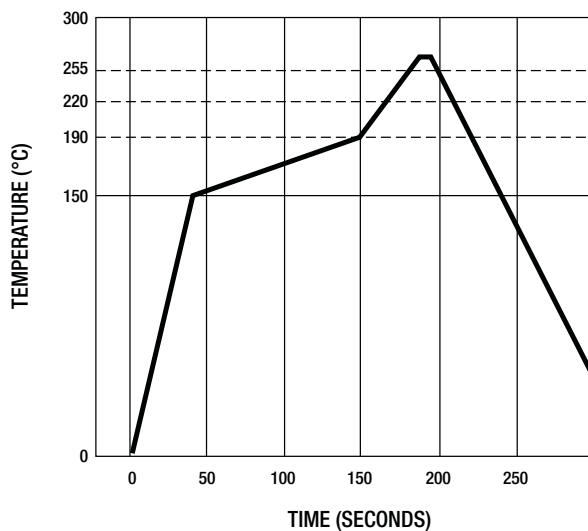
BOURNS®

Rotor Dimensions



Processing Information

Process Description	Materials	Temperature	Time Interval
1. Apply solder paste to test board (8 - 10 mil thick)	<ul style="list-style-type: none"> Sn/Ag/Cu Alloy water soluble or no clean solder paste Single sided epoxy glass (G10) (UL approved) PC board approx. 4x4x.06 in. 	Room temperature	
2. Place test units onto board	6 units/board		
3. Ramp up	Convection oven		2.5 °C ±0.5 °/second
4. Preheat		150 °C to 190 °C	90 ±30 seconds
5. Time above liquidus		220 °C	60-90 seconds
6. Peak temperature			260 °C +0 °/-5 ° 10-20 sec. within 5 °C of peak
7. Ramp down		Room temperature	3 °C ±0.5 °C/second

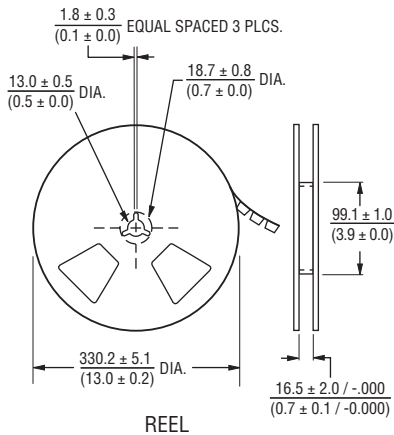
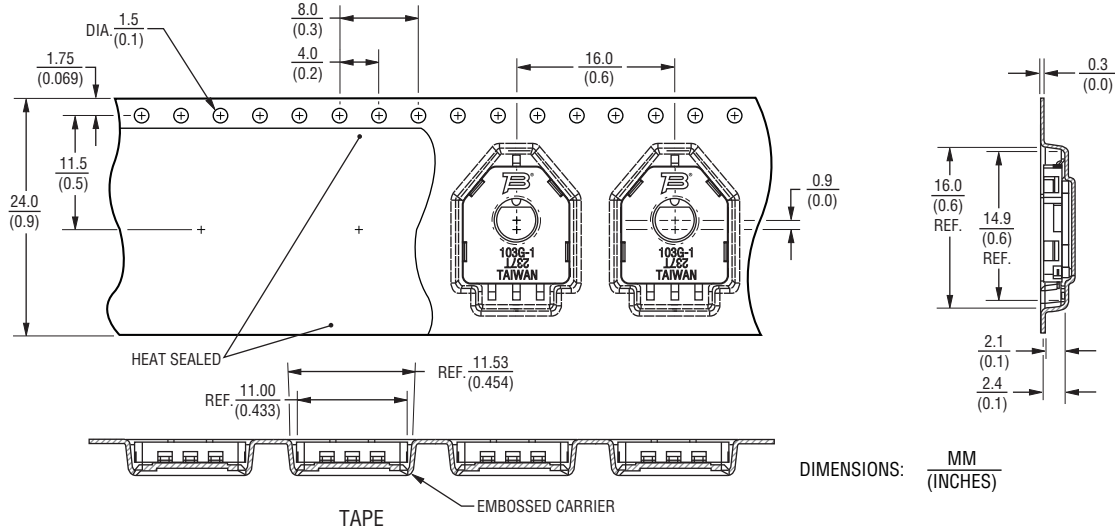


Specifications are subject to change without notice.
The device characteristics and parameters in this data sheet can and do vary in different applications and actual device performance may vary over time.
Users should verify actual device performance in their specific applications.

3382 - 12 mm Rotary Position Sensor

BOURNS®

Packaging Specifications



How To Order

3382 G - 1 - 103 G

Model _____

Style _____
 G = SMD with 8.5 mm Locator Pin Spacing
 H = Through-hole with 5 mm x 7.5 mm Locator Pin Spacing

Standard Product Indicator _____
 -1 = 4 mm Shaft Diameter
 -2 = 3.5 mm Shaft Diameter

Resistance Code _____

Packaging Designator _____
 G = 1000 pcs./13" Reel (G Style)
 Blank = 50 pcs./Tube (H Style)

BOURNS®

Asia-Pacific: Tel: +886-2 2562-4117 • Fax: +886-2 2562-4116

EMEA: Tel: +36 88 520 390 • Fax: +36 88 520 211

The Americas: Tel: +1-951 781-5500 • Fax: +1-951 781-5700

www.bourns.com

REV. 12/14

Specifications are subject to change without notice. The device characteristics and parameters in this data sheet can and do vary in different applications and actual device performance may vary over time. Users should verify actual device performance in their specific applications.