



Chipsmall Limited consists of a professional team with an average of over 10 year of expertise in the distribution of electronic components. Based in Hongkong, we have already established firm and mutual-benefit business relationships with customers from,Europe,America and south Asia,supplying obsolete and hard-to-find components to meet their specific needs.

With the principle of "Quality Parts,Customers Priority,Honest Operation,and Considerate Service",our business mainly focus on the distribution of electronic components. Line cards we deal with include Microchip,ALPS,ROHM,Xilinx,Pulse,ON,Everlight and Freescale. Main products comprise IC,Modules,Potentiometer,IC Socket,Relay,Connector.Our parts cover such applications as commercial,industrial, and automotives areas.

We are looking forward to setting up business relationship with you and hope to provide you with the best service and solution. Let us make a better world for our industry!



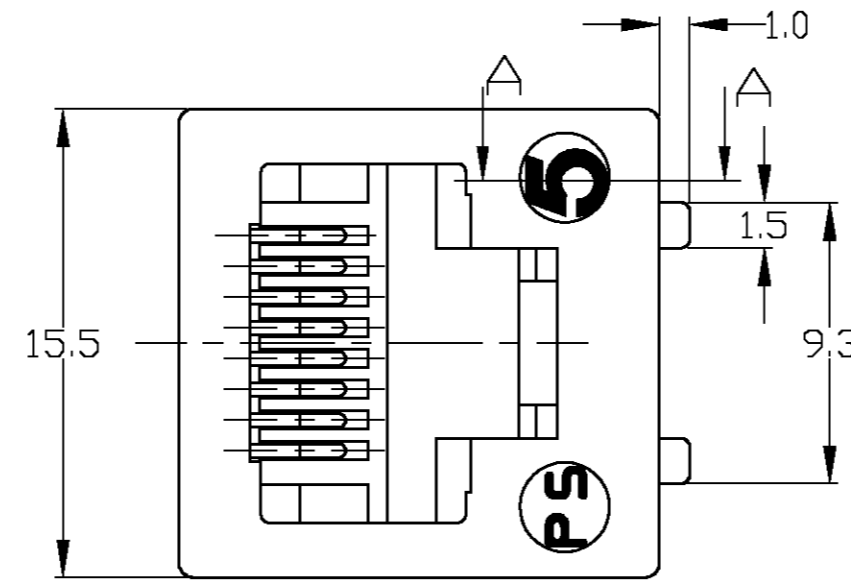
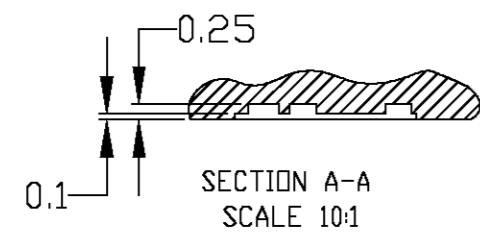
Contact us

Tel: +86-755-8981 8866 Fax: +86-755-8427 6832

Email & Skype: info@chipsmall.com Web: www.chipsmall.com

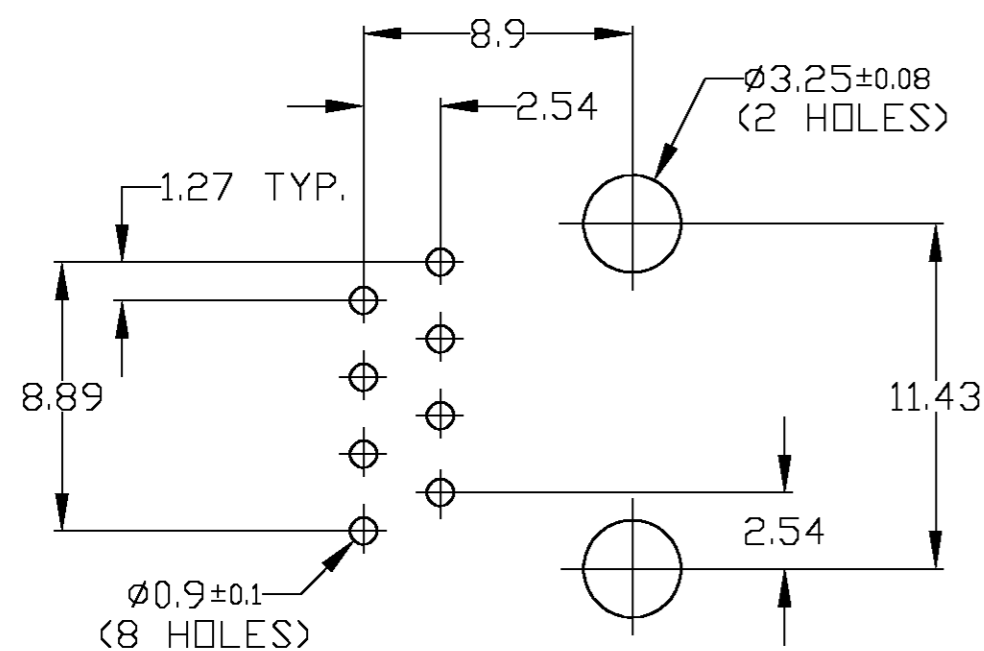
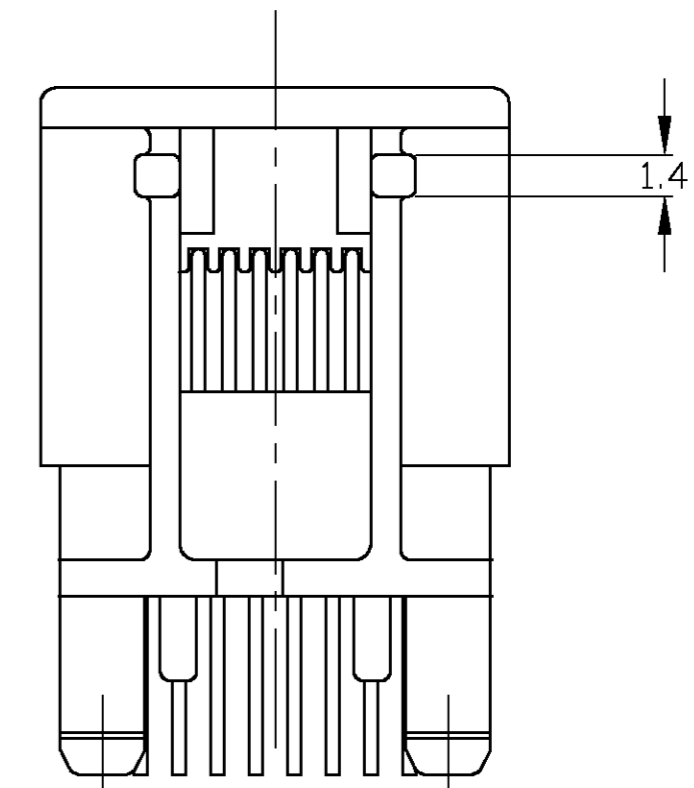
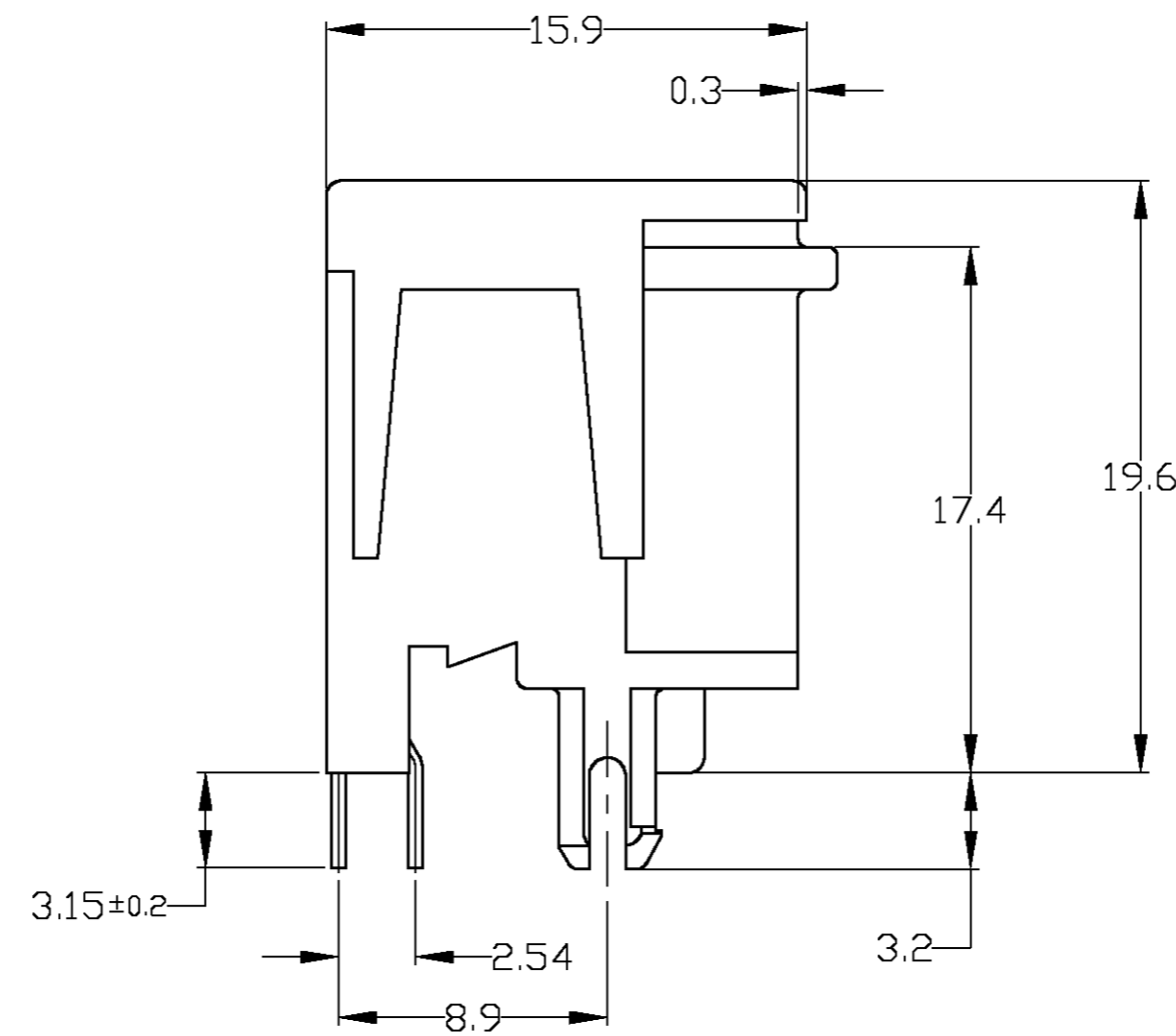
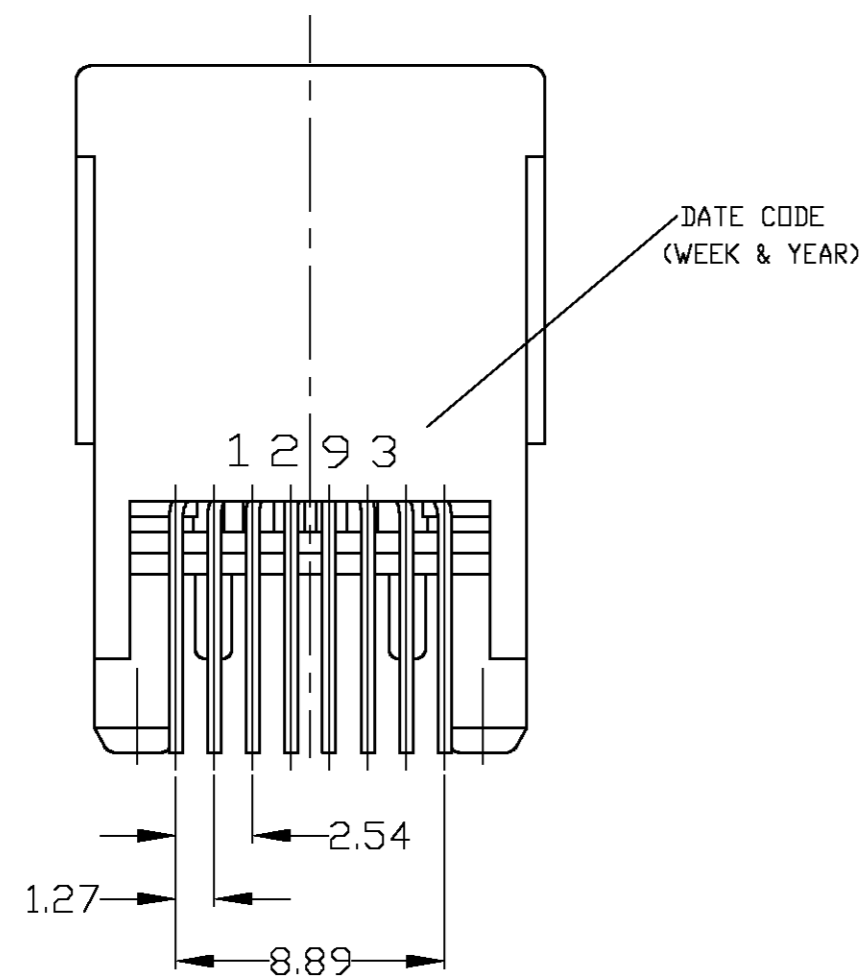
Address: A1208, Overseas Decoration Building, #122 Zhenhua RD., Futian, Shenzhen, China





NOTES:

- 1 TOLERANCES UNLESS OTHERWISE SPECIFIED: $\pm 0,15$.
- 2 CONTACTS;
1,27 μ m MIN. GOLD, SELECTIVE IN CONTACT AREA, OVER 1,27 μ m MIN. NICKEL.
2,0 μ m MIN. TIN-LEAD OVER 1,27 μ m MIN. NICKEL ON SOLDER TINES.
- 3 HOUSING;
PBT, COLOR BLACK, UL 94V-0
CONTACTS;
PHOSPHOR BRONZE.
- 4 FOR APPLICATION INFORMATION SEE AMP SPEC. 114-19019.
- 5 FOR PERFORMANCE REQUIREMENTS SEE AMP SPEC. 108-19064.
- 6 PACKAGING: BULK PACKAGED.
TRUE POSITIONING OF THE SOLDER TINES,
MAY BE AFFECTED BY BULK PACKAGING.

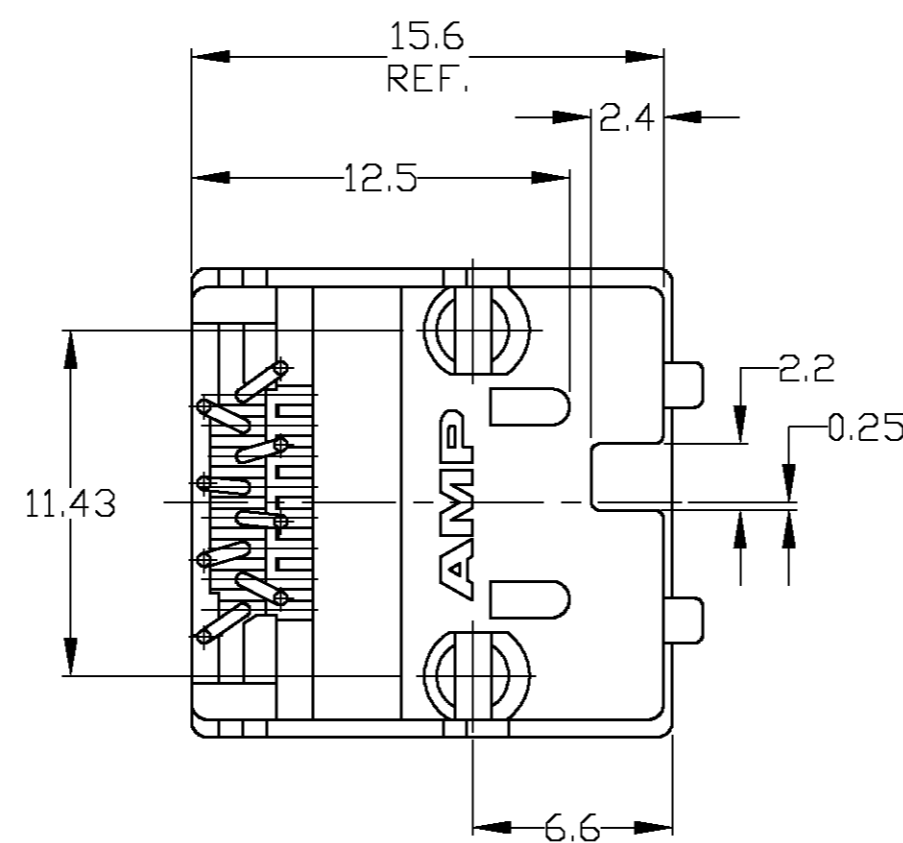


PRINTED CIRCUIT BOARD LAYOUT

[VIEW SHOWN IS CIRCUIT (NONCOMPONENT) SIDE OF BOARD.]

PRINTED CIRCUIT BOARD THICKNESS: 1,6 mm NOMINAL.

TOLERANCES UNLESS OTHERWISE SPECIFIED: $\pm 0,05$.



8 POS. / 8 CONT.				338360-1
DESCRIPTION	FINISH	MATERIAL		P/N
		CUSTOMER DRAWING FOR REFERENCE ONLY WILL NOT BE UPDATED		
		© COPYRIGHT 19 BY AMP HOLLAND B.V. ALL INTERNATIONAL RIGHTS RESERVED. AMP PRODUCTS MAY BE COVERED BY U.S. AND FOREIGN AND/OR PATENTS PENDING. THIS DRAWING IS UNPUBLISHED RELEASED FOR PUBLICATION		
B SR10-0084-02	KV	06 FEB 02	Tyco Electronics Corporation Oostkamp - BELGIUM	
A EH-1142-97	EVE	W.B.	18 NOV 97	NAME MODULAR JACK, 8 POS., TOP ENTRY HIGH PROFILE, WITH SPECIAL PANEL STOPS FOR PRINTED CIRCUIT BOARD
O EH-0870-97	EVE	W.B.	12 AUG 97	
LTR.	REVISION RECORD	DR.	CHK.	DATE
DR.: E.v.EJK	CHK.: W.BRUMMANS	APP.: R.SMEETS	DWG.No.	REV.LTR.
DATE: 12 AUG 97	DATE:	DATE:	C-338360	B
				SHEET 1 OF 1
				A2