



Chipsmall Limited consists of a professional team with an average of over 10 year of expertise in the distribution of electronic components. Based in Hongkong, we have already established firm and mutual-benefit business relationships with customers from,Europe,America and south Asia,supplying obsolete and hard-to-find components to meet their specific needs.

With the principle of “Quality Parts,Customers Priority,Honest Operation,and Considerate Service”,our business mainly focus on the distribution of electronic components. Line cards we deal with include Microchip,ALPS,ROHM,Xilinx,Pulse,ON,Everlight and Freescale. Main products comprise IC,Modules,Potentiometer,IC Socket,Relay,Connector.Our parts cover such applications as commercial,industrial, and automotives areas.

We are looking forward to setting up business relationship with you and hope to provide you with the best service and solution. Let us make a better world for our industry!



Contact us

Tel: +86-755-8981 8866 Fax: +86-755-8427 6832

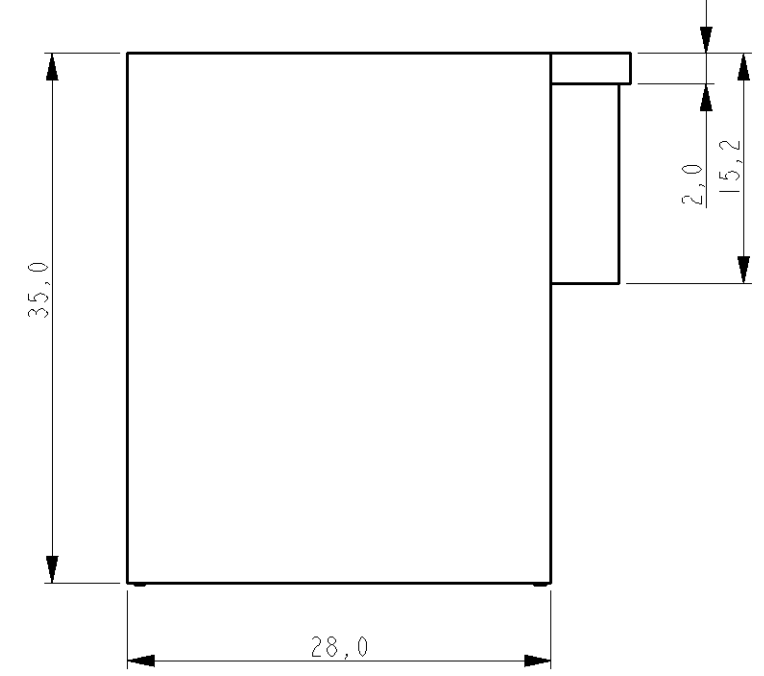
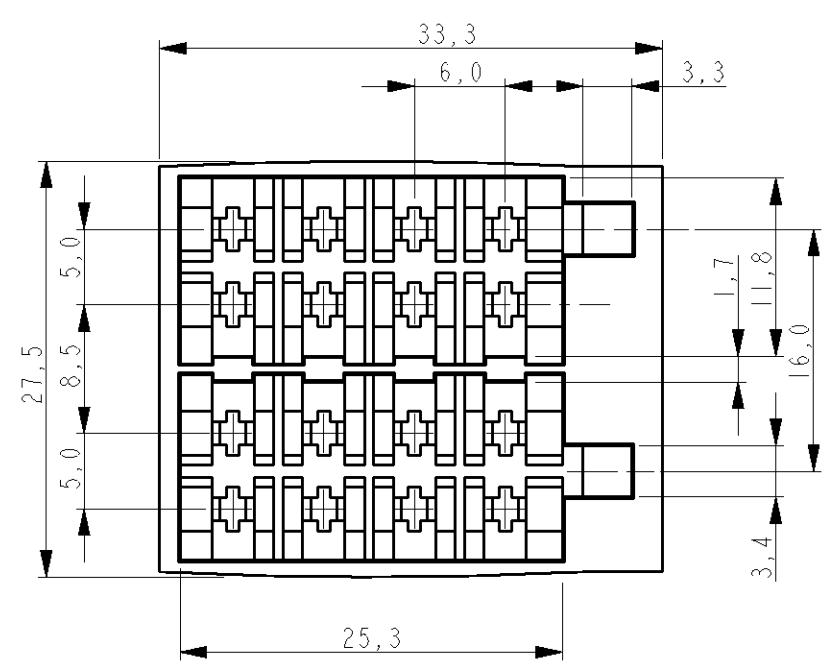
Email & Skype: info@chipsmall.com Web: www.chipsmall.com

Address: A1208, Overseas Decoration Building, #122 Zhenhua RD., Futian, Shenzhen, China

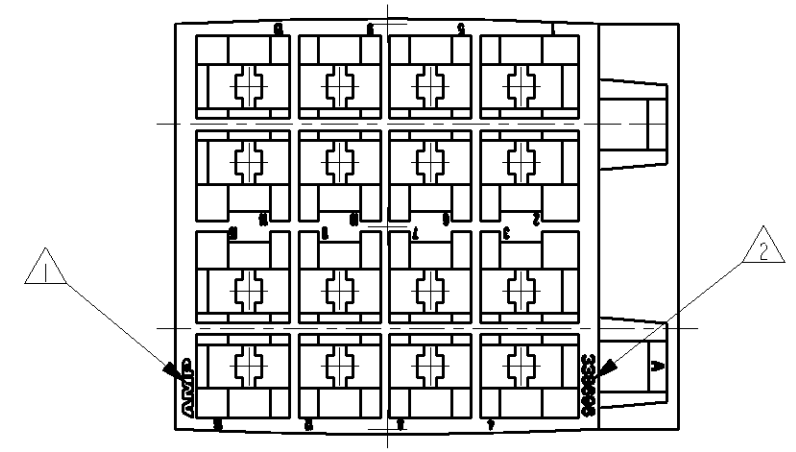
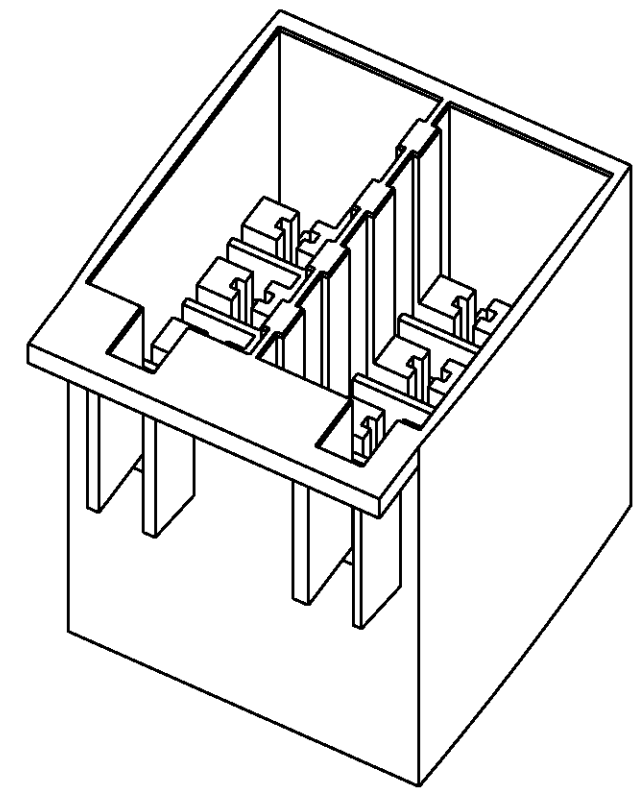
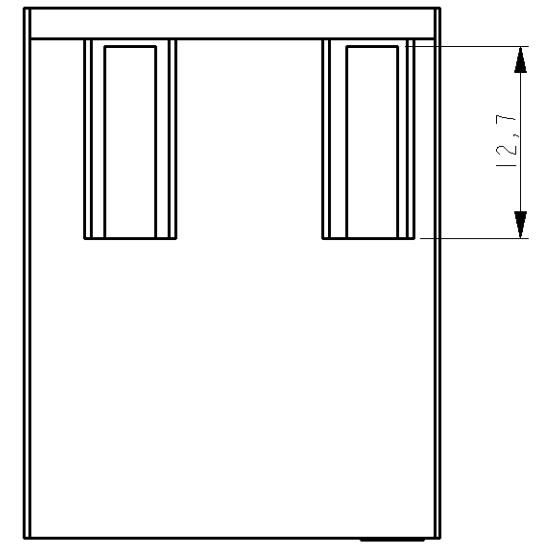


THIS DRAWING IS UNPUBLISHED. RELEASED FOR PUBLICATION
 © COPYRIGHT - BY TYCO ELECTRONICS CORPORATION. ALL RIGHTS RESERVED.

LOC	DIST	REVISIONS					
H	-	P	LTR	DESCRIPTION	DATE	DWN	APVD
			A	EH00-0386-00	31MAR2000	DH	EL
			B	ECR-09-021799	05OCT2009	DC	TdB



NOTES:
 1 AMP Trademark
 2 AMP Partnumber identification
 3 Applicable contacts:
 - p.n. 927892-1
 - p.n. 927893-1



THIS DRAWING IS A CONTROLLED DOCUMENT FOR TYCO ELECTRONICS CORPORATION
 IT IS SUBJECT TO CHANGE AND THE CONTROLLING ENGINEERING ORGANIZATION
 SHOULD BE CONTACTED FOR THE LATEST REVISION.

DIMENSIONS: mm		TOLERANCES UNLESS OTHERWISE SPECIFIED:	
		0 PLC	±0,2
		1 PLC	±0,1
		2 PLC	±0,05
		3 PLC	±0,025
		4 PLC	±0,01
		ANGLES	±0°30'
MATERIAL	FINISH		

1	2 x 8 POS ISO TAB HOUSING	PBT-GF30 BLACK	338696-1
ITEM NO.	DESCRIPTION	MATERIAL	PARTNUMBER
DWN	D. Halberstadt	Tyco Electronics Corporation 's-Hertogenbosch, Nederland	
CHK	-	NAME	
APVD	-	2x8 pos 2,8mm FASTIN-FASTON ISO TAB HOUSING	
PRODUCT SPEC	-	SIZE	RESTRICTED TO
APPLICATION SPEC	-	A3	-
WEIGHT	-	CAGE CODE	DRAWING NO
		00779	338696
CUSTOMER DRAWING		SCALE	SHEET OF REV
		2:1	1 OF 1 B