



Chipsmall Limited consists of a professional team with an average of over 10 year of expertise in the distribution of electronic components. Based in Hongkong, we have already established firm and mutual-benefit business relationships with customers from,Europe,America and south Asia,supplying obsolete and hard-to-find components to meet their specific needs.

With the principle of "Quality Parts,Customers Priority,Honest Operation,and Considerate Service",our business mainly focus on the distribution of electronic components. Line cards we deal with include Microchip,ALPS,ROHM,Xilinx,Pulse,ON,Everlight and Freescale. Main products comprise IC,Modules,Potentiometer,IC Socket,Relay,Connector.Our parts cover such applications as commercial,industrial, and automotives areas.

We are looking forward to setting up business relationship with you and hope to provide you with the best service and solution. Let us make a better world for our industry!



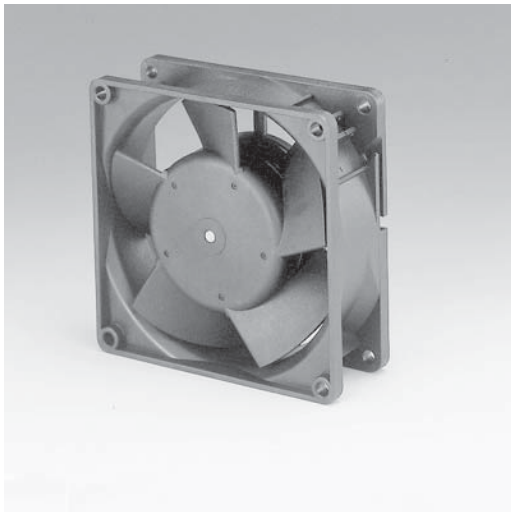
Contact us

Tel: +86-755-8981 8866 Fax: +86-755-8427 6832

Email & Skype: info@chipsmall.com Web: www.chipsmall.com

Address: A1208, Overseas Decoration Building, #122 Zhenhua RD., Futian, Shenzhen, China





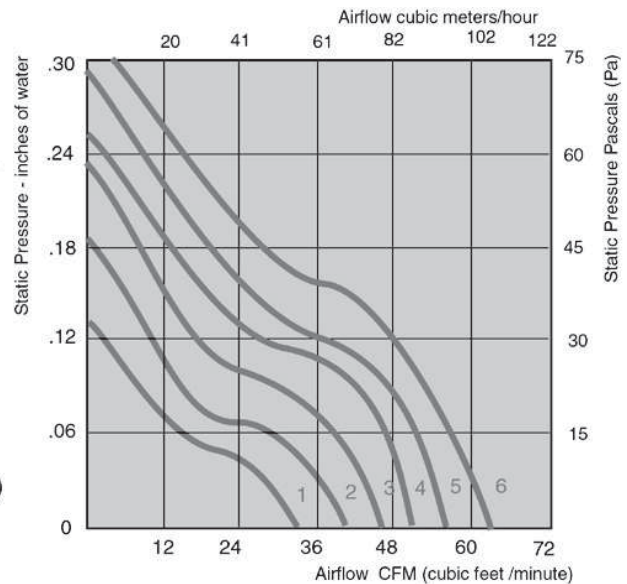
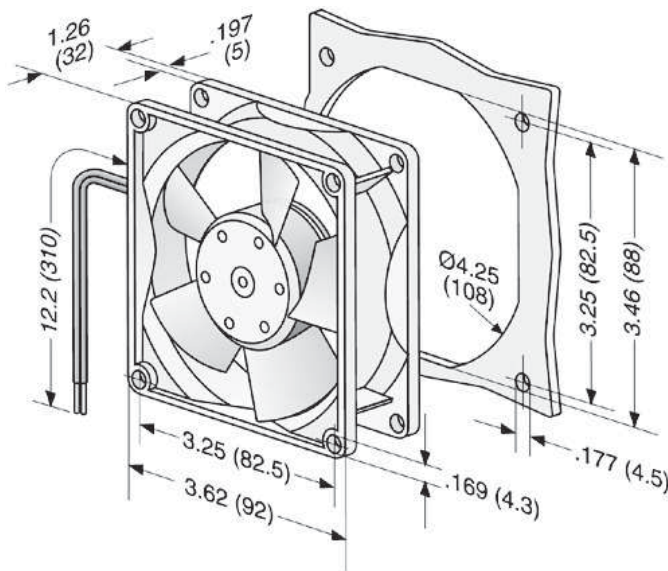
3300 Series

Tubeaxial

92x92x32mm

- DC fans with electronically commutated external rotor motor. Fully integrated commutation electronics.
- With electronic protection against reverse polarity, blocking and overloading by PTC-resistor; partially impedance protected.
- Mounting from either face using four 4.3 mm holes.
- Fan of fiberglass reinforced plastic. PBTP housing, PA impeller.
- Air exhaust over struts. Rotational direction CCW looking at rotor.
- Electrical connection via 2 leads AWG 22, TR 64. Stripped and tinned ends.
- UL, CSA, VDE approvals on some models, please contact application engineering.

Part Number	Curve	CFM @ 0	VDC	Volt. Range	Power (W)	dBA	Max Amb. Temp C	Bearing Type	Features	Wgt. (lbs)
3312GL	1	33	12	6 to 15	1.4	29	75	Sintec	Leads	0.44
3312L	1	33	12	6 to 15	1.4	29	75	Ball	Leads	0.44
3312M	2	40	12	6 to 15	1.7	34	75	Ball	Leads	0.44
3312GM	2	40	12	6 to 15	1.7	34	75	Sintec	Leads	0.44
3392M	2	40	12	6 to 15	1.7	34	75	Ball	Terminals	0.44
3392	3	47	12	6 to 15	2.4	37	75	Ball	Terminals	0.44
3372	3	47	12	6 to 15	2.4	37	75	Ball	Terminals	0.44
3312G	3	47	12	6 to 15	2.4	37	75	Sintec	Leads	0.44
3312	3	47	12	6 to 15	2.4	37	75	Ball	Leads	0.44
3312S	3	47	12	6 to 15	2.4	37	75	Ball	Leads	0.44
3312-177	5	55	12	6 to 15	3.5	43	75	Ball	Terminals	0.44
<hr/>										
3314L	1	33	24	12 to 28	1.4	29	75	Ball	Leads	0.44
3314M	3	40	24	12 to 28	1.7	34	75	Ball	Leads	0.44
3314	3	47	24	12 to 28	2.4	37	75	Ball	Leads	0.44
3314G	3	47	24	12 to 28	2.4	37	75	Sintec	Leads	0.44



3300 Series cont.

Tubeaxial

92x92x32mm



- DC fans with electronically commutated external rotor motor. Fully integrated commutation electronics.
- With electronic protection against reverse polarity, blocking and overloading by PTC-resistor; partially impedance protected.
- Mounting from either face using four 4.3 mm holes.
- Fan of fiberglass reinforced plastic. PBTP housing, PA impeller.
- Air exhaust over struts. Rotational direction CCW looking at rotor.
- Electrical connection via 2 leads AWG 22, TR 64. Stripped and tinned ends.
- UL, CSA, VDE approvals on some models, please contact application engineering.

Part Number	Curve	CFM @ 0	VDC	Volt. Range	Power (W)	dBA	Max Amb. Temp C	Bearing Type	Features	Wgt. (lbs)
3314S	3	47	24	12 to 28	2.4	37	75	Ball	Leads	0.44
3374	3	47	24	12 to 28	2.4	37	75	Ball	Terminals	0.44
3394	3	47	24	12 to 28	2.4	37	75	Ball	Terminals	0.44
3314-140	4	50	24	12 to 28	3.0	40	75	Ball	Leads	0.44
3318	3	47	48	36 to 56	2.7	37	75	Ball	Leads	0.44

