



Chipsmall Limited consists of a professional team with an average of over 10 year of expertise in the distribution of electronic components. Based in Hongkong, we have already established firm and mutual-benefit business relationships with customers from,Europe,America and south Asia,supplying obsolete and hard-to-find components to meet their specific needs.

With the principle of "Quality Parts,Customers Priority,Honest Operation,and Considerate Service",our business mainly focus on the distribution of electronic components. Line cards we deal with include Microchip,ALPS,ROHM,Xilinx,Pulse,ON,Everlight and Freescale. Main products comprise IC,Modules,Potentiometer,IC Socket,Relay,Connector.Our parts cover such applications as commercial,industrial, and automotives areas.

We are looking forward to setting up business relationship with you and hope to provide you with the best service and solution. Let us make a better world for our industry!



## Contact us

Tel: +86-755-8981 8866 Fax: +86-755-8427 6832

Email & Skype: info@chipsmall.com Web: www.chipsmall.com

Address: A1208, Overseas Decoration Building, #122 Zhenhua RD., Futian, Shenzhen, China



# DATA SHEET

## Liquid Level Switch

### Optomax Digital LLC200D3SH-LLPK1



#### FEATURES

Optomax Digital liquid level switches are ideal for applications with restricted space that require a miniature, low power and low cost sensing solution.

The microcontroller based sensor is solid state, incorporating an infra-red LED and phototransistor which are optically coupled by the tip when the sensor is in air. When the sensing tip is immersed in liquid, the infra-red light escapes making the output change state.



<b>Housing/ Mounting</b>  M12x1	<b>Output Type / Logic</b>  PUSH PULL  1 0 HIGH IN AIR	<b>Supply Voltage</b>  4.5 - 15.4 V VOLTAGE	<b>Output Current</b>  UP TO 100mA CURRENT	<b>Temp</b>  -25°C to +80°C TEMPERATURE
---	--	--	---	---

#### TECHNICAL SPECIFICATIONS

Supply voltage (Vs)	4.5V <sub>DC</sub> to 15.4V <sub>DC</sub>
Supply current (Is)	2.5mA max. (Vs = 15.4V <sub>DC</sub> )
Output sink and source current (Iout)	100mA
Operating temperatures	-25°C to +80°C
Storage temperatures	-30°C to +85°C
Housing material	Polysulfone <sup>1</sup>
Sensor termination	24AWG, 250mm PTFE wires, 8mm tinned
Mounting thread <sup>2</sup>	M12x1x8g with hex nut <sup>3</sup>
Operating pressure	7bar / 101psi maximum <sup>4</sup>
Tightening torque	1.5Nm / 13.26 in-lb maximum

#### OUTPUT VALUES

<b>Output Voltage<sup>5</sup> (Vout):</b>	<b>Iout = 100mA</b>
Output High	Vout = Vs - 1V max
Output Low	Vout = 0V + 0.5V max

Other sensor options available on request, email:  
[technical@sstsensing.com](mailto:technical@sstsensing.com)

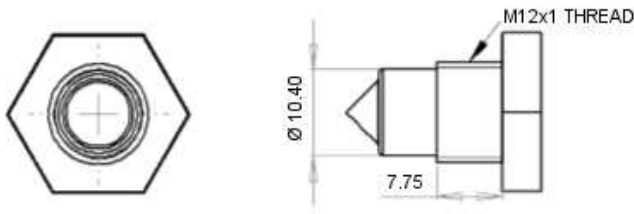
**Need help? Ask the expert**  
**Tel: +44 (0)1236 459 020**  
**and ask for "Technical"**



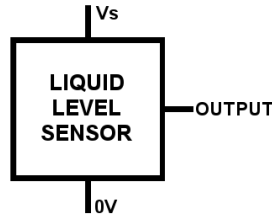
- 1) Before use check that the fluid in which you wish to use these devices is compatible with Polysulfone.
- 2) Sensor is mounted externally.
- 3) Hex nut and O-ring sold separately; email: [technical@sstsensing.com](mailto:technical@sstsensing.com) for details.
- 4) When correctly sealed.
- 5) Voltages applicable to output value stated.

## OUTLINE DRAWING

All dimensions shown in mm. Tolerances = ±1mm.

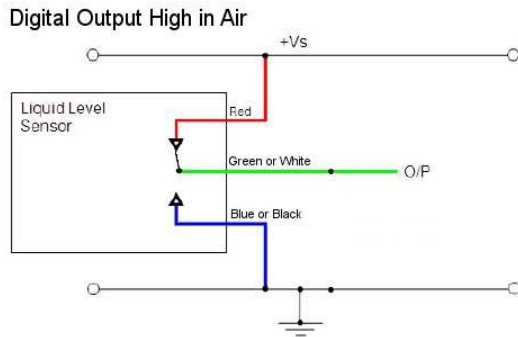


## ELECTRICAL INTERFACE



Wire	Designation
Red	Vs
Green	Output
Blue	0V

## CIRCUIT DIAGRAM



**CAUTION:** Take care when connecting loads. The minimum load impedance should not exceed  $V_s/\text{max output current}$ .  
**NOTE:** Shorting the output to Vs or 0V will result in irreparable damage to the sensor.

## ORDER INFORMATION

Specify the part number listed below when ordering.

L L C 2 0 0 D 3 S H - L L P K 1

Housing Material	Housing Type	Operating Temp.	Output Logic
C Polysulfone	2 M12x1	0 -25 °C to +80°C	Blank Output High in air

### CAUTION

Do not exceed maximum ratings and ensure sensor(s) are operated in accordance with their requirements.

Carefully follow all wiring instructions. Incorrect wiring can cause permanent damage to the device.

SST Sensing Ltd recommend using alcohol based cleaning agents. Do NOT use chlorinated solvents such as trichloroethane as these are likely to attack the sensor material.

**Failure to comply with these instructions may result in product damage.**

### INFORMATION

As customer applications are outside of SST Sensing Ltd.'s control, the information provided is given without legal responsibility.

Customers should test under their own conditions to ensure that the equipment is suitable for their intended application. Before use, check that the fluid in which you wish to use these devices is compatible with Polysulfone.

**For technical assistance or advice, please email:**  
[technical@sstsensing.com](mailto:technical@sstsensing.com)

**General Note:** SST Sensing Ltd. reserves the right to make changes to product specifications without notice or liability. All information is subject to SST Sensing Ltd.'s own data and considered accurate at time of going to print.