



Chipsmall Limited consists of a professional team with an average of over 10 year of expertise in the distribution of electronic components. Based in Hongkong, we have already established firm and mutual-benefit business relationships with customers from,Europe,America and south Asia,supplying obsolete and hard-to-find components to meet their specific needs.

With the principle of "Quality Parts,Customers Priority,Honest Operation,and Considerate Service",our business mainly focus on the distribution of electronic components. Line cards we deal with include Microchip,ALPS,ROHM,Xilinx,Pulse,ON,Everlight and Freescale. Main products comprise IC,Modules,Potentiometer,IC Socket,Relay,Connector.Our parts cover such applications as commercial,industrial, and automotives areas.

We are looking forward to setting up business relationship with you and hope to provide you with the best service and solution. Let us make a better world for our industry!



Contact us

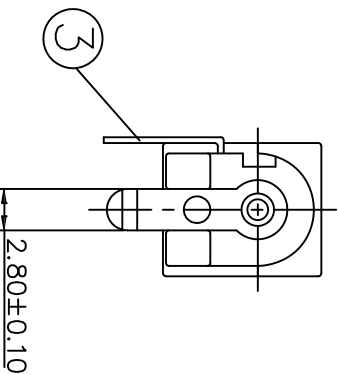
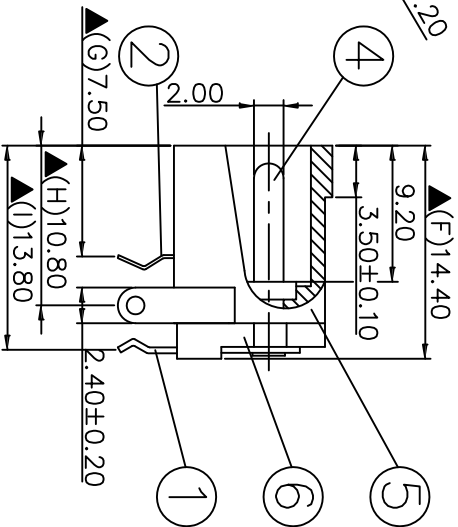
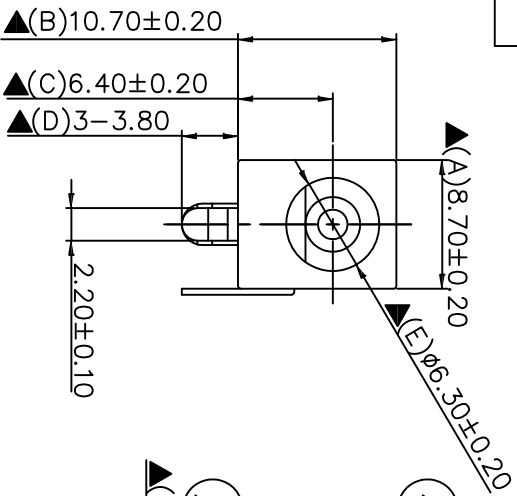
Tel: +86-755-8981 8866 Fax: +86-755-8427 6832

Email & Skype: info@chipsmall.com Web: www.chipsmall.com

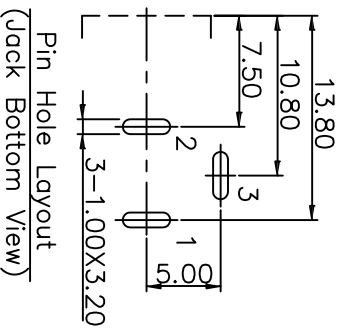
Address: A1208, Overseas Decoration Building, #122 Zhenhua RD., Futian, Shenzhen, China



SCHEMATIC	
MODEL NO	C



NO.	Description	Material	Q'TY	Finish
6.	Cover	PBT+50% Fibre Glass	1	Black Color
5.	Housing	PBT+50% Fibre Glass	1	Black Color
4.	Pin(2.0Ø)	Copper	1	Nickel Plated
3.	Breck Terminal	0.4T Brass	1	Silver Plated
2.	Sleeve Spring	0.2T Phosphor Bronze	1	Silver Plated
1.	Pin Terminal	0.4T Brass	1	Silver Plated



SPECIFICATIONS:
 Contact Resistance : 30mΩ max
 Current Rating : Max 5.0A , 24V DC
 Insulation Resistance : 100MΩ min. at DC 500V
 Dielectric Withstand Voltage : AC 500V for one minute
 (A -I) are important Dimensions



THIS DRAWING MAY NOT BE COPIED OR REPRODUCED IN ANY WAY, AND MAY NOT BE PASSED ON TO A THIRD PARTY WITHOUT WRITTEN PERMISSION. OWNERSHIP AND COPYRIGHT OF CONEC CORPORATION

DO NOT ALTER CAD DRAWING BY HAND

CONEC CORPORATION Brampton, Ontario		tolerance <small>(unless otherwise specified)</small>	name
rev./description	date	date	name
a Original	Jan/10/2013	2005	Robert

drawn	date	name
appd.	date	name
norm	date	name
q-oid	date	name
	date	name
	date	name
	date	name
	date	name

drawing no.:	AutoCAD 2004	scale:	SEE SPECIFICATIONS
part no.:	C0504R06A	material:	
	33DCJ-0202-A	title:	DC POWER JACK (OD: 2.00mm)
		DIN	A3
		sheet	1/1

used for: