



Chipsmall Limited consists of a professional team with an average of over 10 year of expertise in the distribution of electronic components. Based in Hongkong, we have already established firm and mutual-benefit business relationships with customers from,Europe,America and south Asia,supplying obsolete and hard-to-find components to meet their specific needs.

With the principle of “Quality Parts,Customers Priority,Honest Operation,and Considerate Service”,our business mainly focus on the distribution of electronic components. Line cards we deal with include Microchip,ALPS,ROHM,Xilinx,Pulse,ON,Everlight and Freescale. Main products comprise IC,Modules,Potentiometer,IC Socket,Relay,Connector.Our parts cover such applications as commercial,industrial, and automotives areas.

We are looking forward to setting up business relationship with you and hope to provide you with the best service and solution. Let us make a better world for our industry!



Contact us

Tel: +86-755-8981 8866 Fax: +86-755-8427 6832

Email & Skype: info@chipsmall.com Web: www.chipsmall.com

Address: A1208, Overseas Decoration Building, #122 Zhenhua RD., Futian, Shenzhen, China





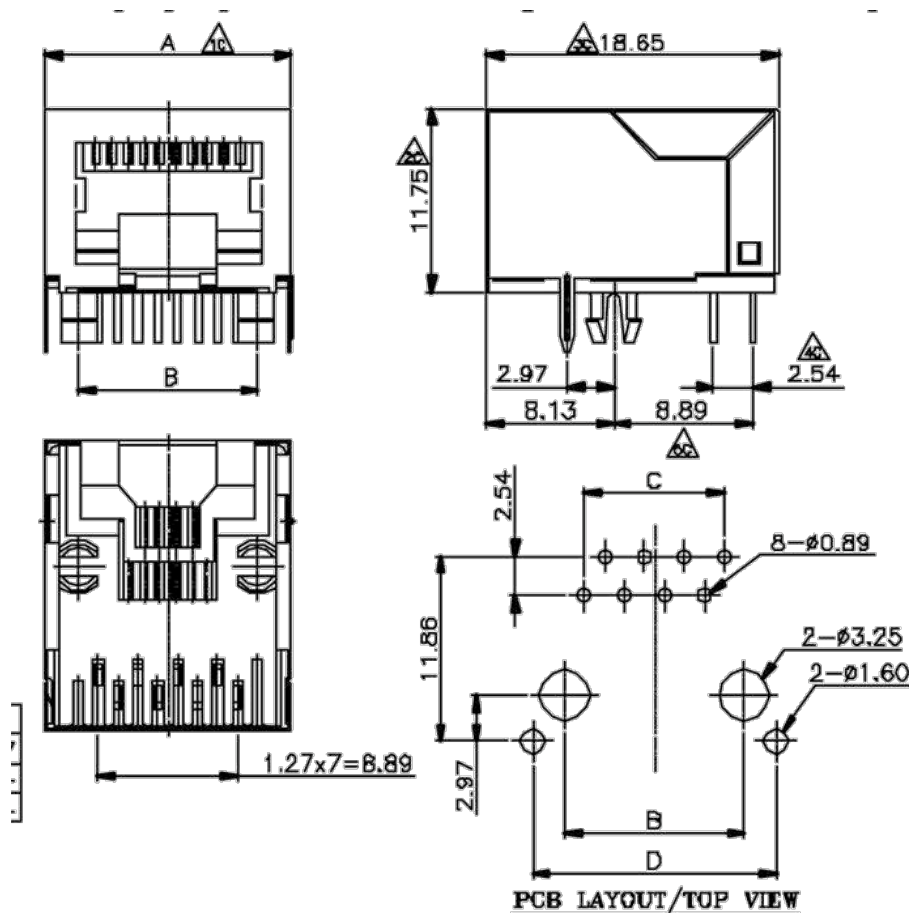
Very Low Profile PCB Jack(Side Entry,Shielded)

Materials

Housing: PBT+30% glass-fiber UL94V-0 Black
 Contacts: 0.35mm thickness alloy, gold plating over nickel in contact area
 Tin Plating over nickel in solder area



Pin	A	B	C	D
6	13.56	10.16	6.35	13.57
8	15.74	11.43	8.89	15.54
10	15.74	11.43	11.43	15.54



Order Information

33TS3004 S - 88 B
 1 2 3 4

1. Series No.
33TS3004

2.Contact Type
S : Shielded

3. No. Of Contacts
 64:6P4C
 66:6P6C
 88:8P8C
 1010:10P10C

4. Gold Plating
 B: 6µ"
 For other plating options
 contact factory

Note:
Packed in tray

