



Chipsmall Limited consists of a professional team with an average of over 10 year of expertise in the distribution of electronic components. Based in Hongkong, we have already established firm and mutual-benefit business relationships with customers from,Europe,America and south Asia,supplying obsolete and hard-to-find components to meet their specific needs.

With the principle of "Quality Parts,Customers Priority,Honest Operation,and Considerate Service",our business mainly focus on the distribution of electronic components. Line cards we deal with include Microchip,ALPS,ROHM,Xilinx,Pulse,ON,Everlight and Freescale. Main products comprise IC,Modules,Potentiometer,IC Socket,Relay,Connector.Our parts cover such applications as commercial,industrial, and automotives areas.

We are looking forward to setting up business relationship with you and hope to provide you with the best service and solution. Let us make a better world for our industry!



Contact us

Tel: +86-755-8981 8866 Fax: +86-755-8427 6832

Email & Skype: info@chipsmall.com Web: www.chipsmall.com

Address: A1208, Overseas Decoration Building, #122 Zhenhua RD., Futian, Shenzhen, China



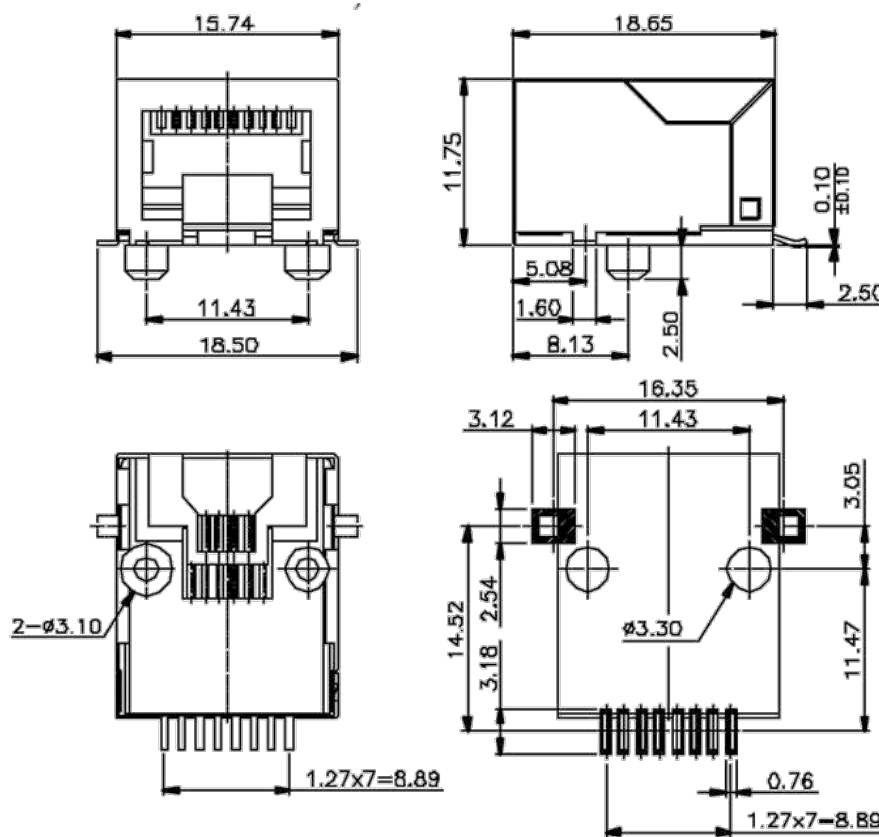


Very Low Profile PCB Jack(Side Entry,Shielded W/Tab SMT)

Materials

Housing: Nyloy 66 UL94V-0 Black
 Contacts: 0.35mm thickness alloy, gold plating over nickel in contact area
 Tin Plating over nickel in solder area

For RoHS compliant parts contact the factory for new part numbers



Order Information

33TS3004 ST - 88 B SMT 1
 1 2 3 4 5 6

- | | | |
|---|---|--|
| 1. Series No.
33TS3004 | 2.Contact Type
ST : Grounding tab of shield | 3. No. Of Contacts
88:8P8C
1010:10P10C |
| 4. Gold Plating
B: 6 μ "
For other plating options contact factory | 5. Terminal Version
SMT type | 6. Packaging
1: Packed in tray
2: Tape & reel request |

Order Information	Order Number
33TS3004ST-88BSMT1	33TS3004ST-88001
33TS3004ST-88BSMT2	33TS3004ST-88002
33TS3004ST-1010BSMT1	33TS3004ST-10101
33TS3004ST-1010BSMT2	33TS3004ST-10102