



Chipsmall Limited consists of a professional team with an average of over 10 year of expertise in the distribution of electronic components. Based in Hongkong, we have already established firm and mutual-benefit business relationships with customers from,Europe,America and south Asia,supplying obsolete and hard-to-find components to meet their specific needs.

With the principle of “Quality Parts,Customers Priority,Honest Operation,and Considerate Service”,our business mainly focus on the distribution of electronic components. Line cards we deal with include Microchip,ALPS,ROHM,Xilinx,Pulse,ON,Everlight and Freescale. Main products comprise IC,Modules,Potentiometer,IC Socket,Relay,Connector.Our parts cover such applications as commercial,industrial, and automotives areas.

We are looking forward to setting up business relationship with you and hope to provide you with the best service and solution. Let us make a better world for our industry!



Contact us

Tel: +86-755-8981 8866 Fax: +86-755-8427 6832

Email & Skype: info@chipsmall.com Web: www.chipsmall.com

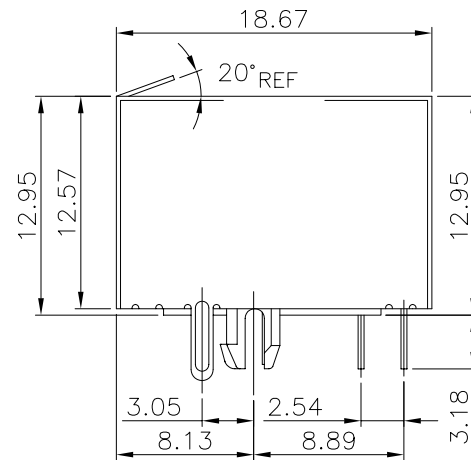
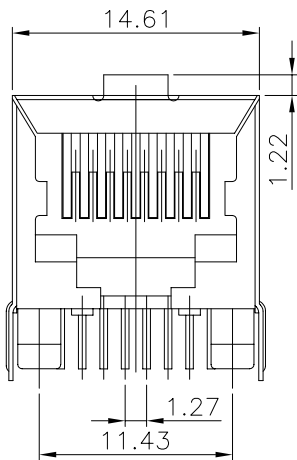
Address: A1208, Overseas Decoration Building, #122 Zhenhua RD., Futian, Shenzhen, China



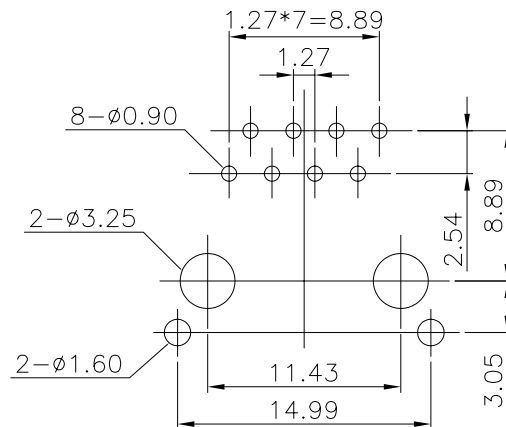
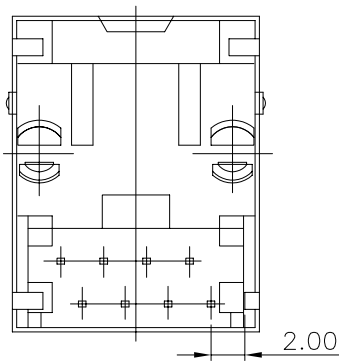
used for:

MATERIALS:

PLASTIC HOUSING: ENGINEERING THERMOPLASTIC
 FLAMMABILITY RATING UL 94V-0
 CONTACTS: 0.35MM THICKNESS PHOSPHOR BRONZE
 PLATING: GOLD PLATING OVER NICKEL IN CONTACT.
 TIN PLATING OVER NICKEL IN SOLDER AREA.
 SHIELDED: BRASS WITH NICKEL PLATED



PCB LAYOUT/TOP VIEW



THIS DRAWING MAY NOT BE COPIED OR REPRODUCED
 IN ANY WAY, AND MAY NOT BE PASSED ON TO A THIRD
 PARTY WITHOUT WRITTEN PERMISSION.
 OWNERSHIP AND COPYRIGHT OF CONEC CORPORATION
DO NOT ALTER CAD DRAWING BY HAND

tolerance		finish	
unless otherwise specified tolerance shall be as follow			
Decimal:	.x ±0.25	2005	date
	.xx ±0.38	draw.	Oct. 24
	.xxx ±0.25	appd.	Vincent Ke
		norm	
		d-old	
rev.	description	date	name

scale:	
material:	
title:	
drawing no.:	
part no.:	

scale:	
material:	
title: Side Entry PCB Jack shielded, 8p8c	
drawing no.:	AutoCAD 2005
C0510R04A	
part no.:	33TS3010S-88B



DIN
A3
sheet
1/1