



Chipsmall Limited consists of a professional team with an average of over 10 year of expertise in the distribution of electronic components. Based in Hongkong, we have already established firm and mutual-benefit business relationships with customers from,Europe,America and south Asia,supplying obsolete and hard-to-find components to meet their specific needs.

With the principle of “Quality Parts,Customers Priority,Honest Operation,and Considerate Service”,our business mainly focus on the distribution of electronic components. Line cards we deal with include Microchip,ALPS,ROHM,Xilinx,Pulse,ON,Everlight and Freescale. Main products comprise IC,Modules,Potentiometer,IC Socket,Relay,Connector.Our parts cover such applications as commercial,industrial, and automotives areas.

We are looking forward to setting up business relationship with you and hope to provide you with the best service and solution. Let us make a better world for our industry!



## Contact us

Tel: +86-755-8981 8866 Fax: +86-755-8427 6832

Email & Skype: info@chipsmall.com Web: www.chipsmall.com

Address: A1208, Overseas Decoration Building, #122 Zhenhua RD., Futian, Shenzhen, China



used for:

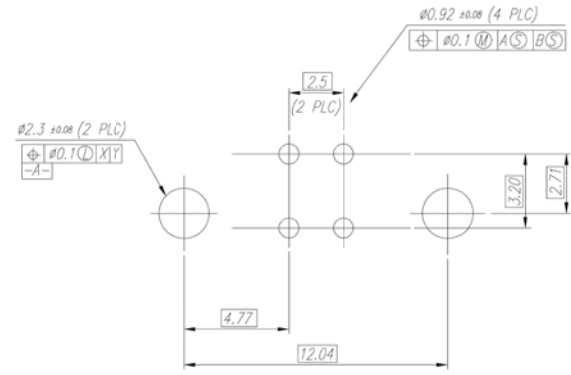
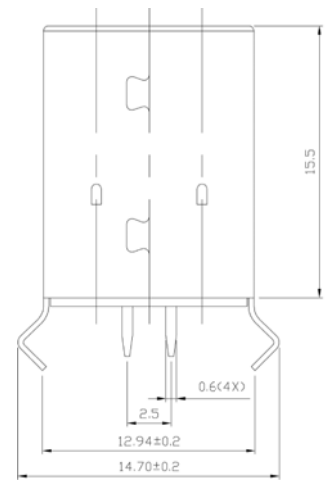
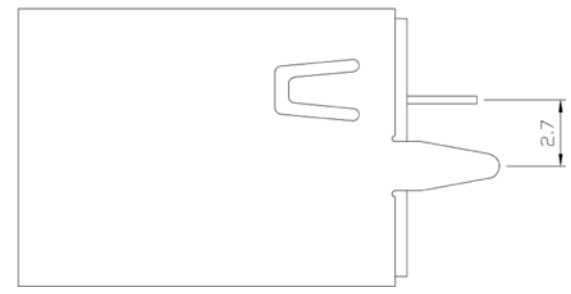
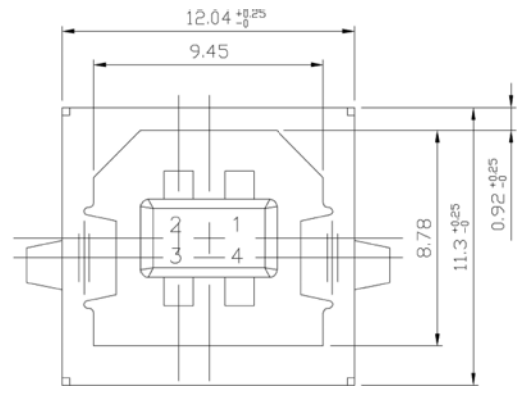
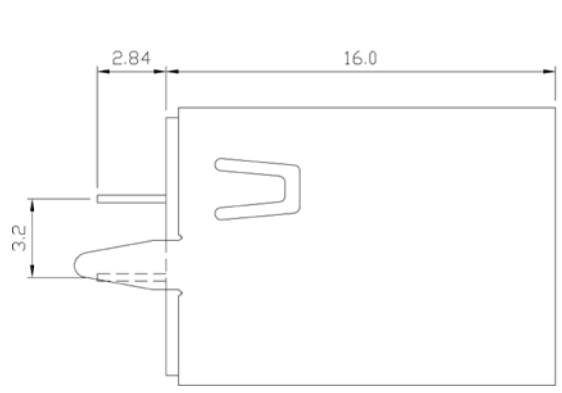


FIGURE A: PCB FOOTPRINT FOR RECEPTACLE (THROUGH-HOLE)

**SPECIFICATIONS**

**Materials**

Insulator: Thermoplastic, Glass Filled, 130°C, UL94V-0 Rated  
 Contact: Copper Alloy  
 Plated: Gold Plating  
 Shell: Copper Alloy

**Electrical**

Insulation Resistance: 1000 Megohms MIN.  
 Contact Resistance: 30 Milliohms Max. Initial  
 Dielectric Withstanding Voltage: 500V AC for one minute  
 Current: 1.0 Ampere Maximum Per Contact At 30°C T-Rise  
 Voltage: 30V AC (rms)  
 Temperature: -55°C ~ 85°C

THIS DRAWING MAY NOT BE COPIED OR REPRODUCED IN ANY WAY, AND MAY NOT BE PASSED ON TO A THIRD PARTY WITHOUT WRITTEN PERMISSION. OWNERSHIP AND COPYRIGHT OF CONEC CORPORATION DO NOT ALTER CAD DRAWING BY HAND

CONEC CORPORATION Brampton, Ontario		tolerance unless otherwise specified Decimat: .xxx Angles: °	scale:
2005	date	name	material: See Specifications
draw.	April 14	Vincent Ke	title: USB 1.1 Version CONNECTOR B TRPE PCB Through Hole
appd.			drawing no.: AutoCAD 2004
norm			DIN A3 sheet 1/1
d-old			part no.: 33UBBD-04 SW11
rev.	description	date	name

