



Chipsmall Limited consists of a professional team with an average of over 10 year of expertise in the distribution of electronic components. Based in Hongkong, we have already established firm and mutual-benefit business relationships with customers from,Europe,America and south Asia,supplying obsolete and hard-to-find components to meet their specific needs.

With the principle of “Quality Parts,Customers Priority,Honest Operation,and Considerate Service”,our business mainly focus on the distribution of electronic components. Line cards we deal with include Microchip,ALPS,ROHM,Xilinx,Pulse,ON,Everlight and Freescale. Main products comprise IC,Modules,Potentiometer,IC Socket,Relay,Connector.Our parts cover such applications as commercial,industrial, and automotives areas.

We are looking forward to setting up business relationship with you and hope to provide you with the best service and solution. Let us make a better world for our industry!



## Contact us

Tel: +86-755-8981 8866 Fax: +86-755-8427 6832

Email & Skype: info@chipsmall.com Web: www.chipsmall.com

Address: A1208, Overseas Decoration Building, #122 Zhenhua RD., Futian, Shenzhen, China



used for:

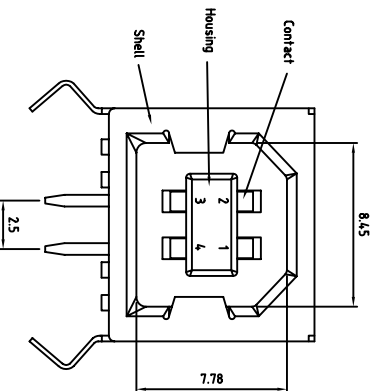
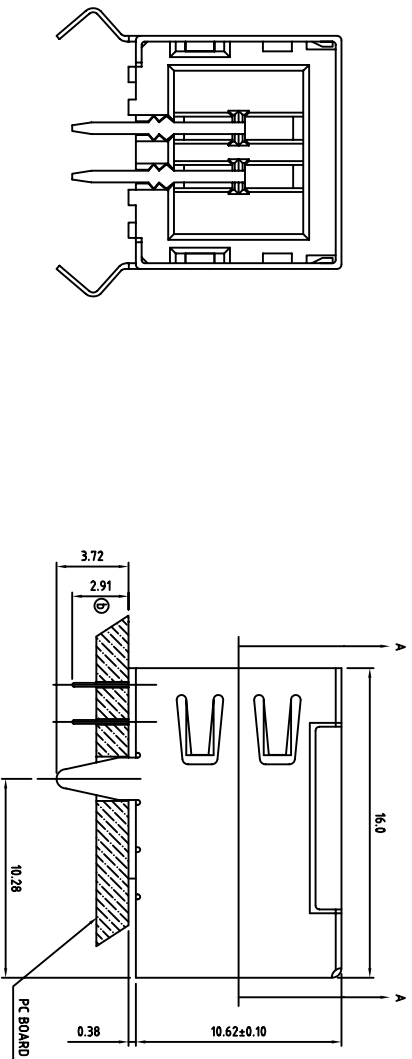
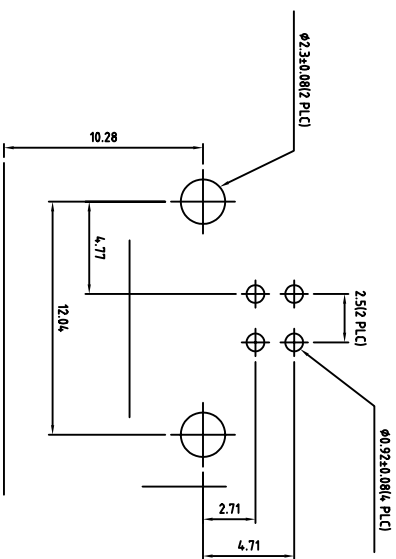
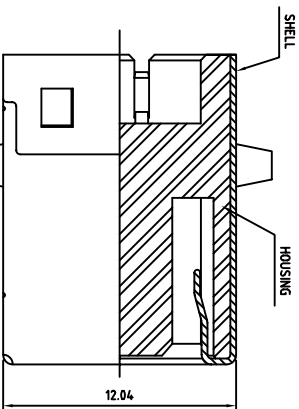
**SPECIFICATIONS**

**Materials and Finish:**

Insulator: PBT, Glass Filled, UL94 V-0 Rated  
 Contact: Copper Alloy with 5u" Gold Plating  
 Shell: Copper Alloy-Cu/Nickel Plating

**Electrical**

Insulation Resistance: 1000 MOhms Minimum  
 Contact Resistance: 30 mOhms Maximum Initial  
 Dielectric Withstanding Voltage: 500V AC for one minute  
 Current: 1.5 A Maximum Per Contact at 30°C T-Rise  
 Voltage: 30V AC (rms)  
 Temperature: -55°C ~ 85°C



THIS DRAWING MAY NOT BE COPIED OR REPRODUCED IN ANY WAY, AND MAY NOT BE PASSED ON TO A THIRD PARTY WITHOUT WRITTEN PERMISSION. OWNERSHIP AND COPYRIGHT OF CONEC CORPORATION

DO NOT ALTER CAD DRAWING BY HAND

rev.	description	date	name
a		Apr/19/00	John Nijo
b	2 x b	Nov/21/06	Vincent Ke
c			

tolerance	name	date	name
unless otherwise specified			
Dimension: .xxx	drawn: Vincent Ke	April 14	Vincent Ke
Angle:	appd: R. Santangelo	April 14	R. Santangelo
	norm:		
	0-0.01		

scale:	material:	title:
		USB (1.1 Version) CONNECTOR B TYPE
		PCB R/A without Back Shell ©
		RoHS compliant ©
drawing no.:	part no.:	
AutoCAD 2005	33UBBR-04.SW11	
DIN A3		
sheet 1/1		

8 7 6 5 4 3 2 1