



Chipsmall Limited consists of a professional team with an average of over 10 year of expertise in the distribution of electronic components. Based in Hongkong, we have already established firm and mutual-benefit business relationships with customers from,Europe,America and south Asia,supplying obsolete and hard-to-find components to meet their specific needs.

With the principle of “Quality Parts,Customers Priority,Honest Operation,and Considerate Service”,our business mainly focus on the distribution of electronic components. Line cards we deal with include Microchip,ALPS,ROHM,Xilinx,Pulse,ON,Everlight and Freescale. Main products comprise IC,Modules,Potentiometer,IC Socket,Relay,Connector.Our parts cover such applications as commercial,industrial, and automotives areas.

We are looking forward to setting up business relationship with you and hope to provide you with the best service and solution. Let us make a better world for our industry!



Contact us

Tel: +86-755-8981 8866 Fax: +86-755-8427 6832

Email & Skype: info@chipsmall.com Web: www.chipsmall.com

Address: A1208, Overseas Decoration Building, #122 Zhenhua RD., Futian, Shenzhen, China



DRAWING MADE IN AMERICAN PROJECTION

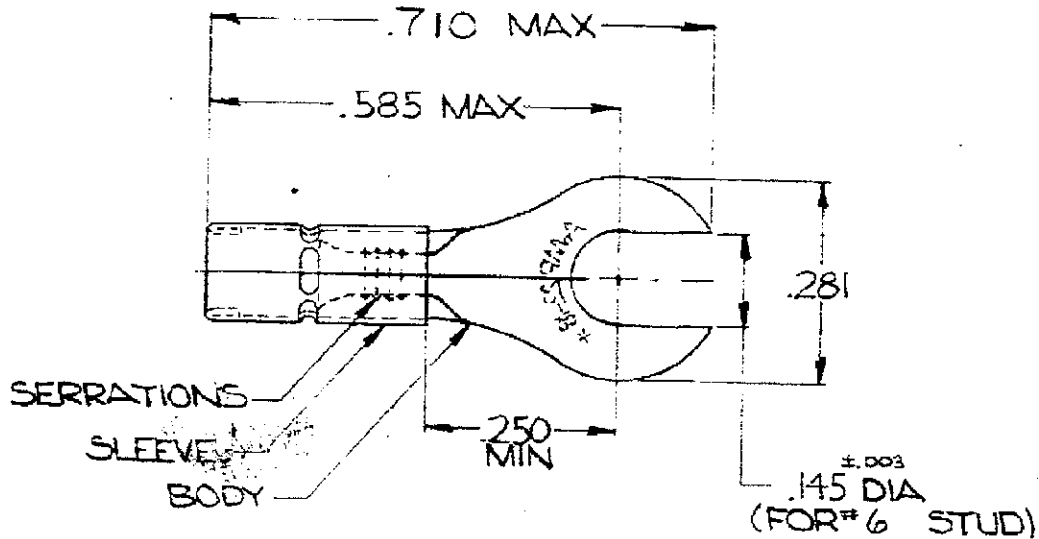
LOC **G** PRINT DIST **14 C**

©1947 BY AMP INCORPORATED. ALL RIGHTS RESERVED. AMP PRODUCTS COVERED BY PATENTS AND/OR PATENTS PENDING.

REVISIONS

LTR	DESCRIPTION	DATE	APPROVED
A	REDRAWN & UPDATED PC-5558	10-3-69	JM
B	REV. & ADDED TAPE NO.	5-11-71	FEY
C	INACTIVATED 2-1 P-9241	11-30-81	JFM
C1	REV PER ECR 06-024909	10/26/06	JR/TM

34101



TONGUE MATERIAL THICKNESS = $\pm .002$.031
 FOR .080 TO .125 WIRE INSULATION DIA
 MARKING 22-18 FOR MILITARY
 COMMERCIAL RANGE 22-16

34101	2-34101-1
PART NO.	PART NO. ON TAPE

UNLESS OTHERWISE SPECIFIED DIMENSIONS ARE IN INCHES
 TOLERANCES ON:
 DECIMALS $\pm .008$
 ANGLES $\pm 5^\circ$

MATERIAL
 COPPER
 (QQ-C-576)
 TIN PL
 (L-T-10727)

CONTRACT NO. — 4 —

DR. *H. Benoit 9/2/69*

CHK. *J. E. Emmerich 10-5-69*

APPD. *Swabel 10-6-69*

REC. *J. M. Emmerich 10-6-69*

DSSN APPD

OTHER APPD

AMP AMP INCORPORATED
 HARRISBURG, PENNSYLVANIA

NAME
 WIRE TERMINAL
 DIAMOND GRIP-SLOTTED RING TONGUE
 WIRE SIZE: 22-16

SIZE A	CODE IDENT NO. 00779	NUMBER 34101
SCALE NTS	SHEET 1 OF 1	