



Chipsmall Limited consists of a professional team with an average of over 10 year of expertise in the distribution of electronic components. Based in Hongkong, we have already established firm and mutual-benefit business relationships with customers from,Europe,America and south Asia,supplying obsolete and hard-to-find components to meet their specific needs.

With the principle of “Quality Parts,Customers Priority,Honest Operation,and Considerate Service”,our business mainly focus on the distribution of electronic components. Line cards we deal with include Microchip,ALPS,ROHM,Xilinx,Pulse,ON,Everlight and Freescale. Main products comprise IC,Modules,Potentiometer,IC Socket,Relay,Connector.Our parts cover such applications as commercial,industrial, and automotives areas.

We are looking forward to setting up business relationship with you and hope to provide you with the best service and solution. Let us make a better world for our industry!



## Contact us

Tel: +86-755-8981 8866 Fax: +86-755-8427 6832

Email & Skype: info@chipsmall.com Web: www.chipsmall.com

Address: A1208, Overseas Decoration Building, #122 Zhenhua RD., Futian, Shenzhen, China



# 3400N Series

Tubeaxial

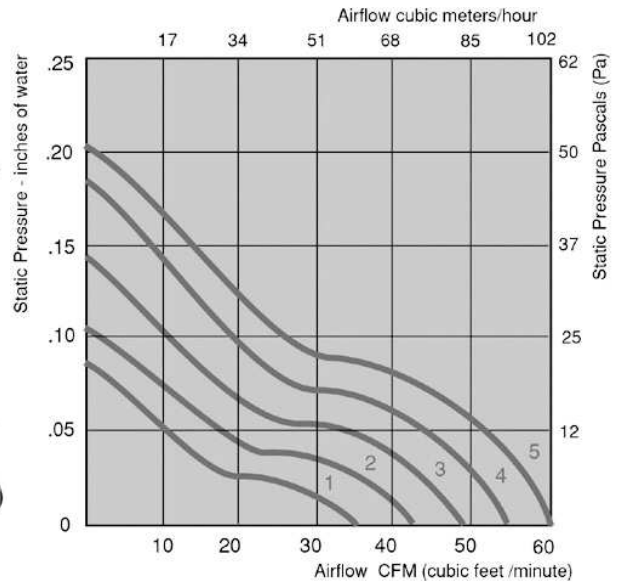
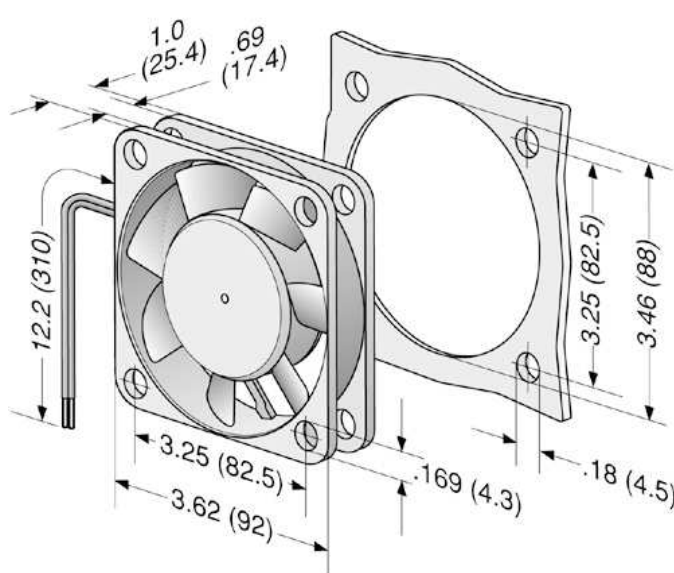
92x92x25mm



- DC fans with electronically commutated external rotor motor. Fully integrated commutation electronics.
- With electronic protection against reverse polarity, blocking and overloading; partially impedance protected.
- Mounting from either face using four 4.3 mm holes.

- Fan of fiberglass reinforced plastic. PBTP housing, PA impeller.
- Air exhaust over struts. Rotational direction CCW looking at rotor.
- Electrical connection via 2 leads AWG 24, TR 64. Stripped and tinned ends.
- UL, CSA, VDE approvals on some models, please contact application engineering.

Part Number	CFM @ 0	Curve	Volts	Voltage Range	Power (W)	dBA	Max Ambient Temp C	Wgt. (lbs)	Type Of Bearing	Features
3412NGL	36	1	12	8 to 15	1.2	23	70	0.31	Sintec	Leads
3412NL	36	1	12	8 to 15	1.2	23	70	0.31	Ball	Leads
3412NGM	42	2	12	8 to 15	1.6	28	70	0.31	Sintec	Leads
3412NM	42	2	12	8 to 15	1.6	28	70	0.31	Ball	Leads
3412N	49	3	12	8 to 15	2.2	32	70	0.31	Ball	Leads
3412NG	49	3	12	8 to 15	2.2	32	70	0.31	Sintec	Leads
3412NGH	55	4	12	8 to 15	2.5	36	70	0.31	Sintec	Leads
3412NH	55	4	12	8 to 15	2.5	36	70	0.31	Ball	Leads
3412NHH	60	5	12	8 to 13.2	3.2	39	60	0.31	Ball	Leads
3412NGHH	60	5	12	8 to 13.2	3.2	39	60	0.31	Sintec	Leads
<hr/>										
3414NGL	36	1	24	18 to 28	1.4	23	70	0.31	Sintec	Leads
3414NL	36	1	24	18 to 28	1.4	23	70	0.31	Ball	Leads
3414NM	42	2	24	18 to 28	1.8	28	70	0.31	Ball	Leads
3414NGM	42	2	24	18 to 28	1.8	28	70	0.31	Sintec	Leads



# 3400N Series

Tubeaxial

92x92x25mm



- DC fans with electronically commutated external rotor motor. Fully integrated commutation electronics.
- With electronic protection against reverse polarity, blocking and overloading; partially impedance protected.
- Mounting from either face using four 4.3 mm holes.

- Fan of fiberglass reinforced plastic. PBTP housing, PA impeller.
- Air exhaust over struts. Rotational direction CCW looking at rotor.
- Electrical connection via 2 leads AWG 24, TR 64. Stripped and tinned ends.
- UL, CSA, VDE approvals on some models, please contact application engineering.

Part Number	CFM @ 0	Curve	Volts	Voltage Range	Power (W)	dBA	Max Ambient Temp C	Wgt. (lbs)	Type Of Bearing	Features
3414N	49	3	24	18 to 28	2.3	32	70	0.31	Ball	Leads
3414NG	49	3	24	18 to 28	2.3	32	70	0.31	Sintec	Leads
3414NGH	55	4	24	18 to 26	3.0	36	70	0.31	Sintec	Leads
3414NH	55	4	24	18 to 26	3.0	36	70	0.31	Ball	Leads
3414NGHH	60	5	24	18 to 26	3.2	39	70	0.31	Sintec	Leads
3414NHH	60	5	24	18 to 26	3.2	39	70	0.31	Ball	Leads

