



Chipsmall Limited consists of a professional team with an average of over 10 year of expertise in the distribution of electronic components. Based in Hongkong, we have already established firm and mutual-benefit business relationships with customers from,Europe,America and south Asia,supplying obsolete and hard-to-find components to meet their specific needs.

With the principle of “Quality Parts,Customers Priority,Honest Operation,and Considerate Service”,our business mainly focus on the distribution of electronic components. Line cards we deal with include Microchip,ALPS,ROHM,Xilinx,Pulse,ON,Everlight and Freescale. Main products comprise IC,Modules,Potentiometer,IC Socket,Relay,Connector.Our parts cover such applications as commercial,industrial, and automotives areas.

We are looking forward to setting up business relationship with you and hope to provide you with the best service and solution. Let us make a better world for our industry!



Contact us

Tel: +86-755-8981 8866 Fax: +86-755-8427 6832

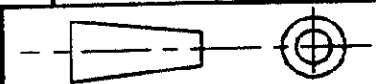
Email & Skype: info@chipsmall.com Web: www.chipsmall.com

Address: A1208, Overseas Decoration Building, #122 Zhenhua RD., Futian, Shenzhen, China

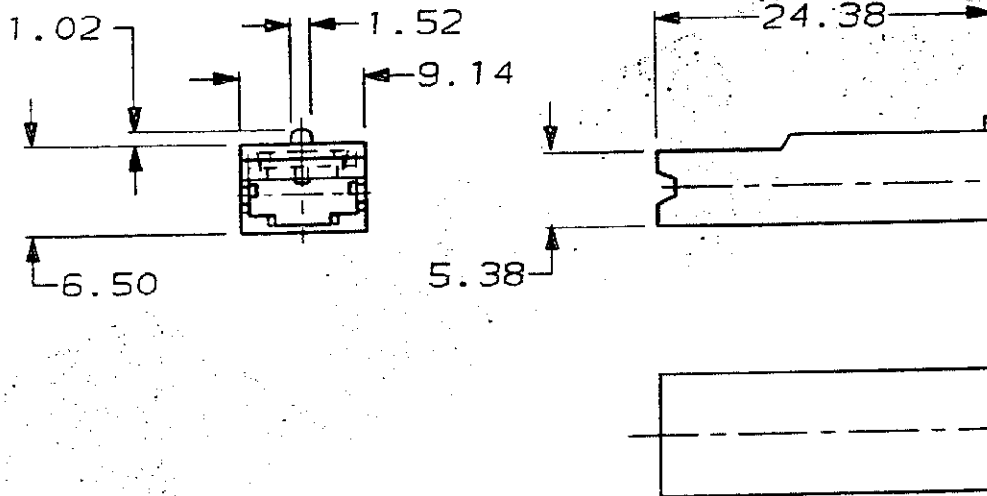


DO NOT SCALE

DIMENSIONS IN MM.



C.A.D. FILE CODE
S. C341300.4



NOTE:-

FOR APPLICATION SPEC. SEE 114-3003.

⚠️ OBSOLETE PARTS: OBSOLETE CIS STREAMLINING
PER D.RENAUD/D.SINISI

BLACK	NYLON 6.6 (FIRE RETARDENT)	⚠️ 341300-9
NATURAL	NYLON 6.6 (FIRE RETARDENT)	⚠️ 341300-0
BLACK	NYLON 6.6	341300-9
GREY	NYLON 6.6	341300-8
VIOLET	NYLON 6.6	341300-7
BLUE	NYLON 6.6	341300-6
GREEN	NYLON 6.6	341300-5
YELLOW	NYLON 6.6	341300-4
ORANGE	NYLON 6.6	341300-3
RED	NYLON 6.6	341300-2
BROWN	NYLON 6.6	341300-1
NATURAL	NYLON 6.6	341300-0

FINISH	MATERIAL	PART NUMBER
--------	----------	-------------

CUSTOMER DWG FOR REFERENCE ONLY

© COPYRIGHT

RELEASED FOR PUBLICATION

TOLERANCES UNLESS OTHERWISE STATED:
DEC ± 0.5
ANGLES ± 1°

DR. D.R. TERRY 6 FEB. 1992

CH. D. BARRATT APP. D. BARRATT

TE TE Connectivity

NAME: POSITIVE LOCK RECEPTACLE MKII (.250) INSULATOR

6	REVISED PER ECO-11-005140	31MAR11	SCALE	LOC	SIZE	DWG. No.	REV	SHEET
REV	APPROVED	DATE	2/1	E	A4	C341300	6	1/1