



Chipsmall Limited consists of a professional team with an average of over 10 year of expertise in the distribution of electronic components. Based in Hongkong, we have already established firm and mutual-benefit business relationships with customers from,Europe,America and south Asia,supplying obsolete and hard-to-find components to meet their specific needs.

With the principle of “Quality Parts,Customers Priority,Honest Operation,and Considerate Service”,our business mainly focus on the distribution of electronic components. Line cards we deal with include Microchip,ALPS,ROHM,Xilinx,Pulse,ON,Everlight and Freescale. Main products comprise IC,Modules,Potentiometer,IC Socket,Relay,Connector.Our parts cover such applications as commercial,industrial, and automotives areas.

We are looking forward to setting up business relationship with you and hope to provide you with the best service and solution. Let us make a better world for our industry!



Contact us

Tel: +86-755-8981 8866 Fax: +86-755-8427 6832

Email & Skype: info@chipsmall.com Web: www.chipsmall.com

Address: A1208, Overseas Decoration Building, #122 Zhenhua RD., Futian, Shenzhen, China

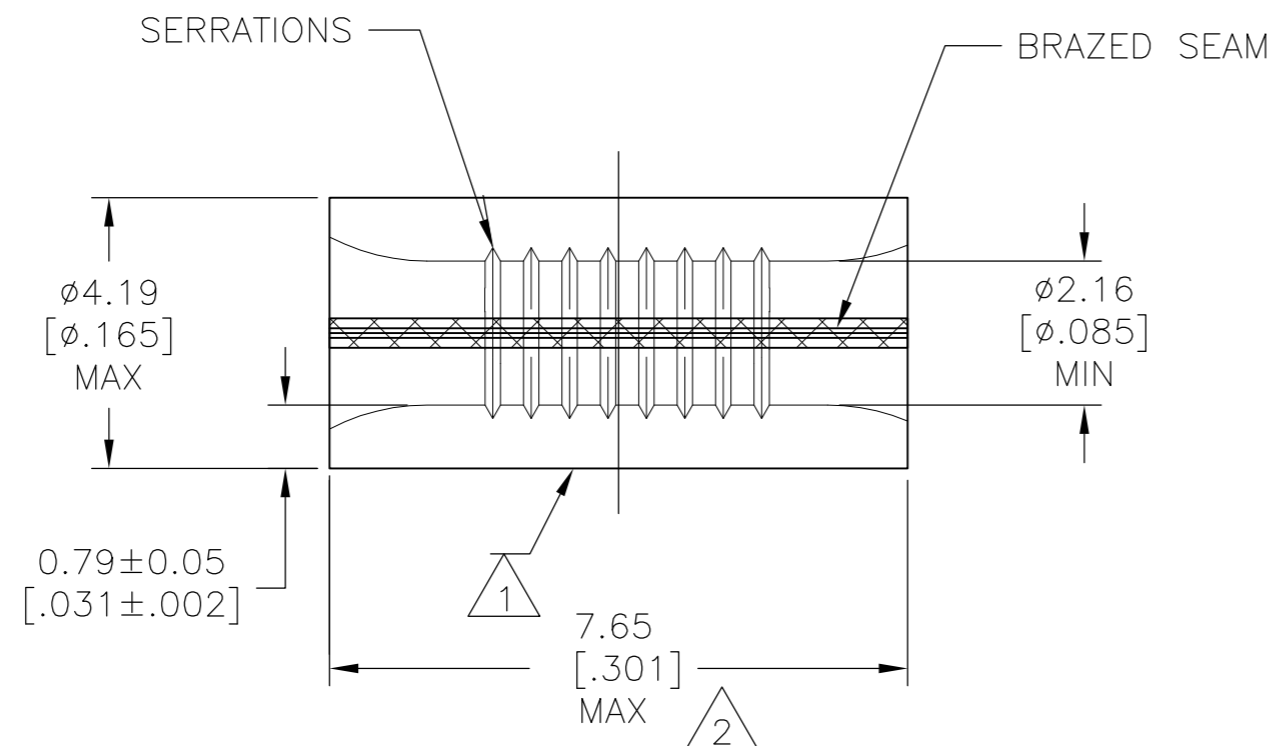


THIS DRAWING IS UNPUBLISHED. RELEASED FOR PUBLICATION
 © COPYRIGHT - By - ALL RIGHTS RESERVED.

LOC	DIST	REVISIONS					
		P	LTR	DESCRIPTION	DATE	DWN	APVD
G	14		N1	REVISED PER ECO-11-011757	08JUN11	HMR	DR

AMP
WIRE RANGE

16-14 AWG
SOLID OR STRANDED



- 1 STAMP AMP 16-14* APPROX AS SHOWN
- 2 MAXIMUM LENGTH DOES NOT INCLUDE MANUFACTURING TABS
- 3 MATERIAL: COPPER PER ASTM B-152 ANNEALED
- 4 FINISH: TIN PLATE 0.00254 [.000100] MIN EXT THK PER ASTM B-545
- 5 FINISH: TIN/LEAD (60/40) PLATE, 0.00254 [.000100] MIN EXT THK PER SAE-AMS-P-81728
- 6 GOLD PLATE 0.00254 [.000100] MIN EXT THK PER ASTM B488 TYPE1, CODE C OVER NICKEL PLATE 0.00127[.000050] MIN EXT THK PER SAE AMS QQ-N-290 OVER Cu FLASH PER SAE AMS 2418
- 7 UL LISTED E13288, 16-14 AWG SOLID OR STRANDED
- 8 CSA CERTIFIED LR7189, 16-14 AWG SOLID OR STRANDED
- 9 PRELIMINARY - NOT FOR PRODUCTION
- 10 GOLD PLATE 0.00127[.000050] MIN EXT THK PER ASTM B488, TYPE1, CODE C OVER NICKEL PLATE 0.00127[.000050] MIN EXT THK PER SAE AMS QQ-N-290 OVER Cu FLASH PER SAE AMS 2418

MAX TEMP	APPROVALS	FINISH	QTY	PACKAGE TYPE	PART NO
170°C	7 8	4	10	SEALED BAG	9 8-34137-5
170°C	7 8	4	100	LOOSE PIECE, BOX	8-34137-1
260°C	----	10	1000	LOOSE PIECE	34137-4
170°C	----	5	1000	LOOSE PIECE	34137-3
170°C	----	6	1000	LOOSE PIECE	34137-2
170°C	7 8	4	1000	LOOSE PIECE	34137

AMP INCORPORATED CUSTOMER SERVICE SYSTEMS		MAX RECOMMENDED OPERATING TEMPERATURE: SEE TABLE
FOR ADDITIONAL PRODUCT INFORMATION OR COPIES OF DRAWINGS AND TECHNICAL DOCUMENTS	PRODUCT INFORMATION CENTER 1-800-522-6752	VOLTAGE RATING: N/A
FOR APPLICATION TOOLING INFORMATION	TOOLING ASSISTANCE CENTER 1-800-722-1111	CIRCULAR MIL AREA: 1.04-2.62mm ² [2,050-5,180] SOLID OR STRANDED
FOR ORDER ENTRY	1-800-526-5142	THIS DRAWING IS A CONTROLLED DOCUMENT FOR AMP INCORPORATED. IT IS SUBJECT TO CHANGE AND THE CONTROLLING ENGINEERING ORGANIZATION SHOULD BE CONTACTED FOR THE LATEST REVISION.

THIS DRAWING IS A CONTROLLED DOCUMENT.		DWN TA BRINKMAN 4-13-93	STE TE Connectivity			
DIMENSIONS: mm [INCHES]		CHK DA PATTERSON 4-13-93				
TOLERANCES UNLESS OTHERWISE SPECIFIED:		APVD DA PATTERSON 4-13-93	NAME SPLICE, PARALLEL, SOLISTRAND			
0 PLC ± - 1 PLC ± - 2 PLC ± - 3 PLC ± - 4 PLC ± - ANGLES ± -		PRODUCT SPEC -				
MATERIAL - 3	FINISH SEE TABLE	APPLICATION SPEC -	SIZE A2	CAGE CODE 00779	DRAWING NO C-34137	RESTRICTED TO -
CUSTOMER DRAWING			SCALE 10:1	SHEET 1 of 1	REV N1	