



Chipsmall Limited consists of a professional team with an average of over 10 year of expertise in the distribution of electronic components. Based in Hongkong, we have already established firm and mutual-benefit business relationships with customers from,Europe,America and south Asia,supplying obsolete and hard-to-find components to meet their specific needs.

With the principle of “Quality Parts,Customers Priority,Honest Operation,and Considerate Service”,our business mainly focus on the distribution of electronic components. Line cards we deal with include Microchip,ALPS,ROHM,Xilinx,Pulse,ON,Everlight and Freescale. Main products comprise IC,Modules,Potentiometer,IC Socket,Relay,Connector.Our parts cover such applications as commercial,industrial, and automotives areas.

We are looking forward to setting up business relationship with you and hope to provide you with the best service and solution. Let us make a better world for our industry!



## Contact us

Tel: +86-755-8981 8866 Fax: +86-755-8427 6832

Email & Skype: info@chipsmall.com Web: www.chipsmall.com

Address: A1208, Overseas Decoration Building, #122 Zhenhua RD., Futian, Shenzhen, China



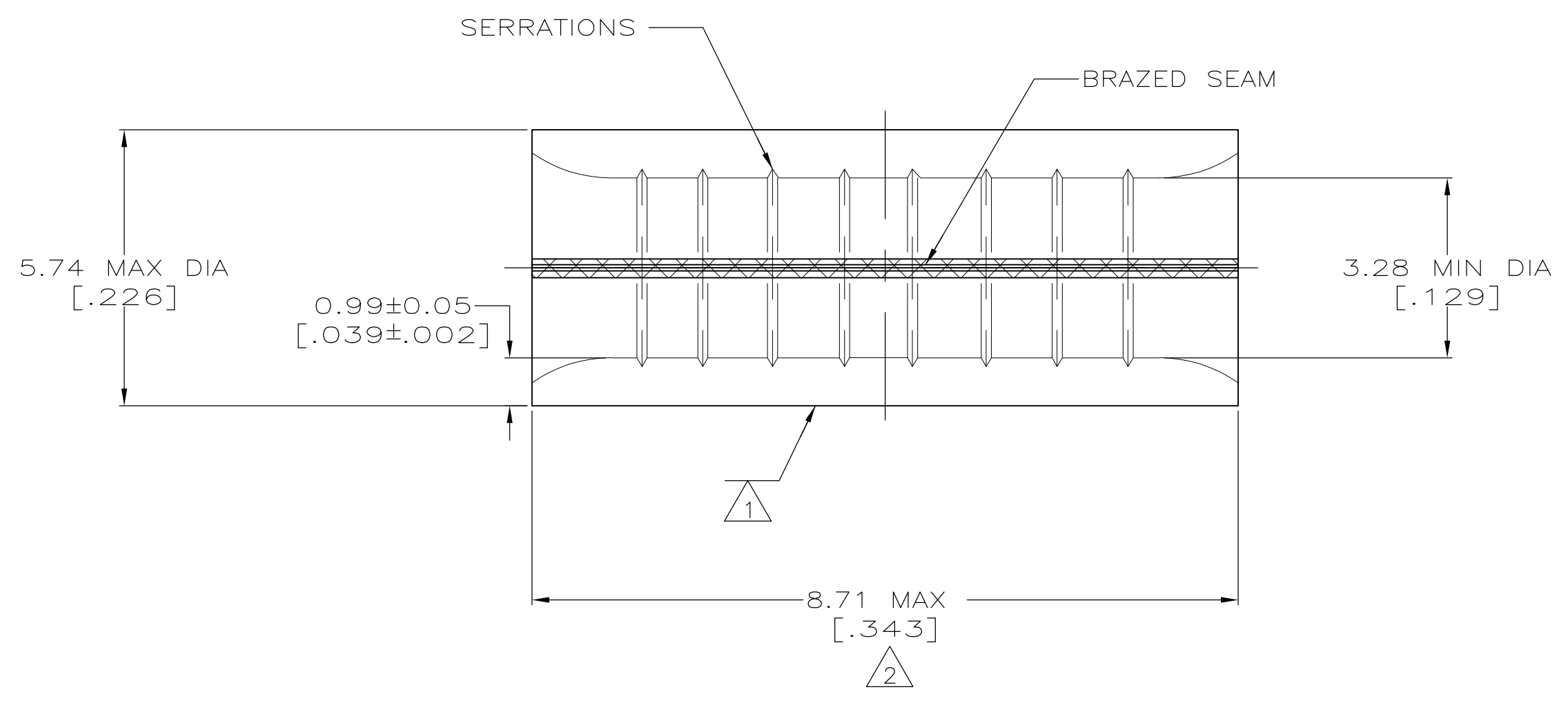
LOC	DIST	REVISIONS			
P	LTR	DESCRIPTION	DATE	OWN	APVD
G	14	P6	REVISED PER ECO-11-011757	08JUN11	HMR DR

**AMP**  
WIRE RANGE

---

12-10 AWG  
SOLID OR STRANDED

- 1 STAMP AMP 12-10\* APPROX AS SHOWN
- 2 MAXIMUM LENGTH DOES NOT INCLUDE MANUFACTURING TABS
- 3 TIN PLATE .00254[.000100] MIN THK PER ASTM B545
- 4 BLACK OXIDE PER MIL-F-495
- 5 UL LISTED E13288, 12-10 AWG STRANDED.
- 6 MATERIAL; COPPER PER ASTM B-152 ANNEALED
- 7 FINISH: TIN/LEAD (60/40) PLATE, .000100 MIN THK PER SAE-AMS-P-81728
- 8 CSA CERTIFIED LR7189, 12-10 AWG SOLID OR STRANDED
- 9 PRELIMINARY - NOT FOR PRODUCTION
- 10 GOLD PLATE 0.00127[.000050] MIN EXT THK PER ASTM B488, TYPE 1, CODE C OVER NICKEL PLATE 0.00127[.000050] MIN EXT THK PER SAE AMS QQ-N-290 OVER Cu FLASH PER SAE AMS 2418.



TEMP-RANGE	APPROVALS	FINISH	QTY	PACKAGE TYPE	PART NO
170°C	5 8	3	10	LOOSE PIECE, BAG	8-34138-3
170°C	5 8	3	50	LOOSE PIECE, BOX	8-34138-2
260°C	----	10	500	LOOSE PIECE	34138-4
170°C	----	7	500	LOOSE PIECE	34138-3
170°C	----	4	500	LOOSE PIECE	34138-1
170°C	5 8	3	500	LOOSE PIECE	34138

**AMP INCORPORATED  
CUSTOMER SERVICE SYSTEMS**

FOR ADDITIONAL PRODUCT INFORMATION OR COPIES OF DRAWINGS AND TECHNICAL DOCUMENTS	PRODUCT INFORMATION CENTER 1-800-522-6752	MAX RECOMMENDED OPERATING TEMPERATURE: SEE TABLE
FOR APPLICATION TOOLING INFORMATION	TOOLING ASSISTANCE CENTER 1-800-722-1111	VOLTAGE RATING: N/A
FOR ORDER ENTRY	1-800-526-5142	CIRCULAR MIL AREA: 2.62-6.64mm <sup>2</sup> [5,180-13,100] STRANDED

THIS DRAWING IS A CONTROLLED DOCUMENT FOR AMP INCORPORATED. IT IS SUBJECT TO CHANGE AND THE CONTROLLING ENGINEERING ORGANIZATION SHOULD BE CONTACTED FOR THE LATEST REVISION.

THIS DRAWING IS A CONTROLLED DOCUMENT.

DIMENSIONS: MM[INCHES]	TOLERANCES UNLESS OTHERWISE SPECIFIED: 0 PLC ± - 1 PLC ± - 2 PLC ± - 3 PLC ± - 4 PLC ± - ANGLES ± ± -	DWN TA BRINKMAN 4-14-93 CHK DA PATTERSON 4-14-93 APVD DA PATTERSON 4-14-93	<b>STE</b> TE Connectivity
MATERIAL - 6	FINISH SEE NOTES	NAME SPLICE, PARALLEL, SOLISTRAND	SIZE CAGE CODE DRAWING NO RESTRICTED TO A2 00779 G-34138
CUSTOMER DRAWING		WEIGHT -	SCALE 10:1 SHEET 1 of 1 REV P6