



Chipsmall Limited consists of a professional team with an average of over 10 year of expertise in the distribution of electronic components. Based in Hongkong, we have already established firm and mutual-benefit business relationships with customers from,Europe,America and south Asia,supplying obsolete and hard-to-find components to meet their specific needs.

With the principle of "Quality Parts,Customers Priority,Honest Operation,and Considerate Service",our business mainly focus on the distribution of electronic components. Line cards we deal with include Microchip,ALPS,ROHM,Xilinx,Pulse,ON,Everlight and Freescale. Main products comprise IC,Modules,Potentiometer,IC Socket,Relay,Connector.Our parts cover such applications as commercial,industrial, and automotives areas.

We are looking forward to setting up business relationship with you and hope to provide you with the best service and solution. Let us make a better world for our industry!



## Contact us

Tel: +86-755-8981 8866 Fax: +86-755-8427 6832

Email & Skype: info@chipsmall.com Web: www.chipsmall.com

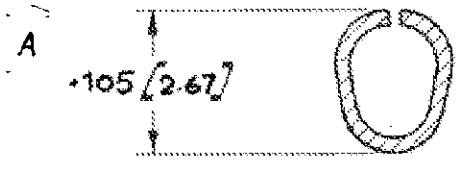
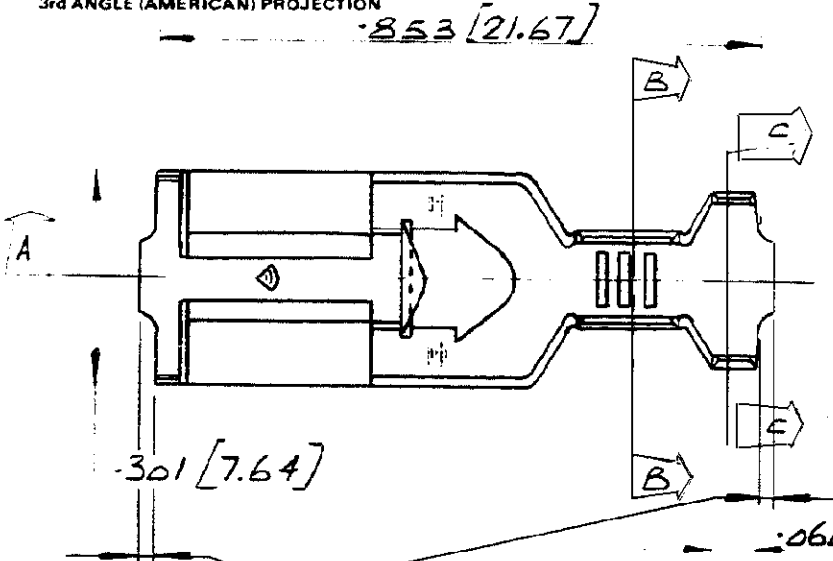
Address: A1208, Overseas Decoration Building, #122 Zhenhua RD., Futian, Shenzhen, China



NUMBER C-341412

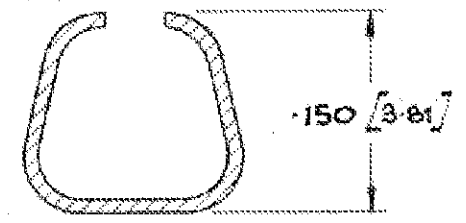
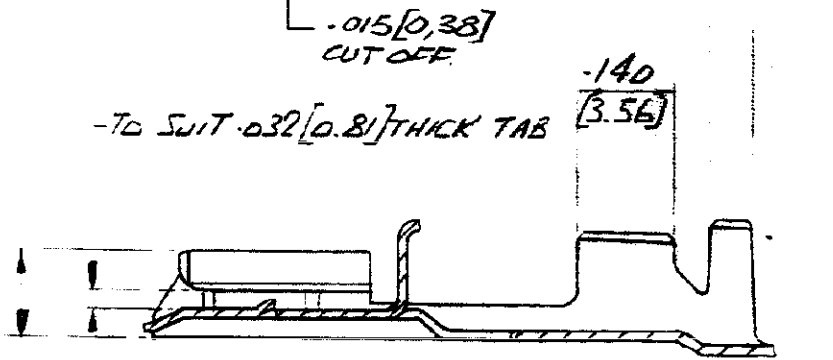
3rd ANGLE (AMERICAN) PROJECTION

DIMENSIONS IN INCHES DO NOT SCALE PRINT DIMENSIONS THUS ( ) IN MM.



SECTION B-B

WIRE BARREL SECTION B-B  
PRE-FORM TO HEIGHT  
SHOWN WITH .115 [2.92] 'F'  
CRIMPER




SECTION C-C

INSULATION BARREL SECTION C-C  
PRE-FORM TO HEIGHT SHOWN WITH .165  
[4.19] 'F' CRIMPER

.125 [3.18]

SECTION A-A

|            |                 |         |
|------------|-----------------|---------|
| C-341412-5 | NICKEL SILVER   | NONE    |
| C-341412-4 | PHOSPHOR BRONZE | PRE-TIN |
| C-341412-3 | PHOSPHOR BRONZE | NONE    |
| C-341412-2 | BRASS           | PRE-TIN |
| C-341412-1 | BRASS           | NONE    |
| PART NO.   | MATERIAL        | FINISH  |

|                                  |                                 |  |     |   |         |                                 |        |
|----------------------------------|---------------------------------|--|-----|---|---------|---------------------------------|--------|
| C                                |                                 |  |     | TE of GREAT BRITAIN LTD<br>1978   |         | CUSTOMER COPY<br>REFERENCE ONLY |        |
| MATERIAL AND FINISH<br>SEE TABLE |                                 |  |     |  TE Connectivity |         |                                 |        |
| A                                | Adding note for pre-form height |  | C.J | RRP   | 13JUN11 | CLASS                           |        |
| 1                                | PRELIMINARY ISSUE               |  | JPS | -   | 3/5/79  | TYPE                            |        |
| ISS                              | REVISION RECORD                 |  | DR  | CHK   | DATE    | LOC                             | REV NO |
| DR                               | 3/5/79                          |  | DE  | 4.12.   |         | E                               | A      |
| DR                               | J.P. STOCKWELL                  |  |     |   |         | C-341412                        |        |
| CHK                              | 1                               |  | APP | LOOSE PIECE PART  |         |                                 |        |
|                                  |                                 |  |     | POSITIVE LOCK RECEPTACLE MK II (250)  |         |                                 |        |

PRINT DIST.