



Chipsmall Limited consists of a professional team with an average of over 10 year of expertise in the distribution of electronic components. Based in Hongkong, we have already established firm and mutual-benefit business relationships with customers from,Europe,America and south Asia,supplying obsolete and hard-to-find components to meet their specific needs.

With the principle of “Quality Parts,Customers Priority,Honest Operation,and Considerate Service”,our business mainly focus on the distribution of electronic components. Line cards we deal with include Microchip,ALPS,ROHM,Xilinx,Pulse,ON,Everlight and Freescale. Main products comprise IC,Modules,Potentiometer,IC Socket,Relay,Connector.Our parts cover such applications as commercial,industrial, and automotives areas.

We are looking forward to setting up business relationship with you and hope to provide you with the best service and solution. Let us make a better world for our industry!



Contact us

Tel: +86-755-8981 8866 Fax: +86-755-8427 6832

Email & Skype: info@chipsmall.com Web: www.chipsmall.com

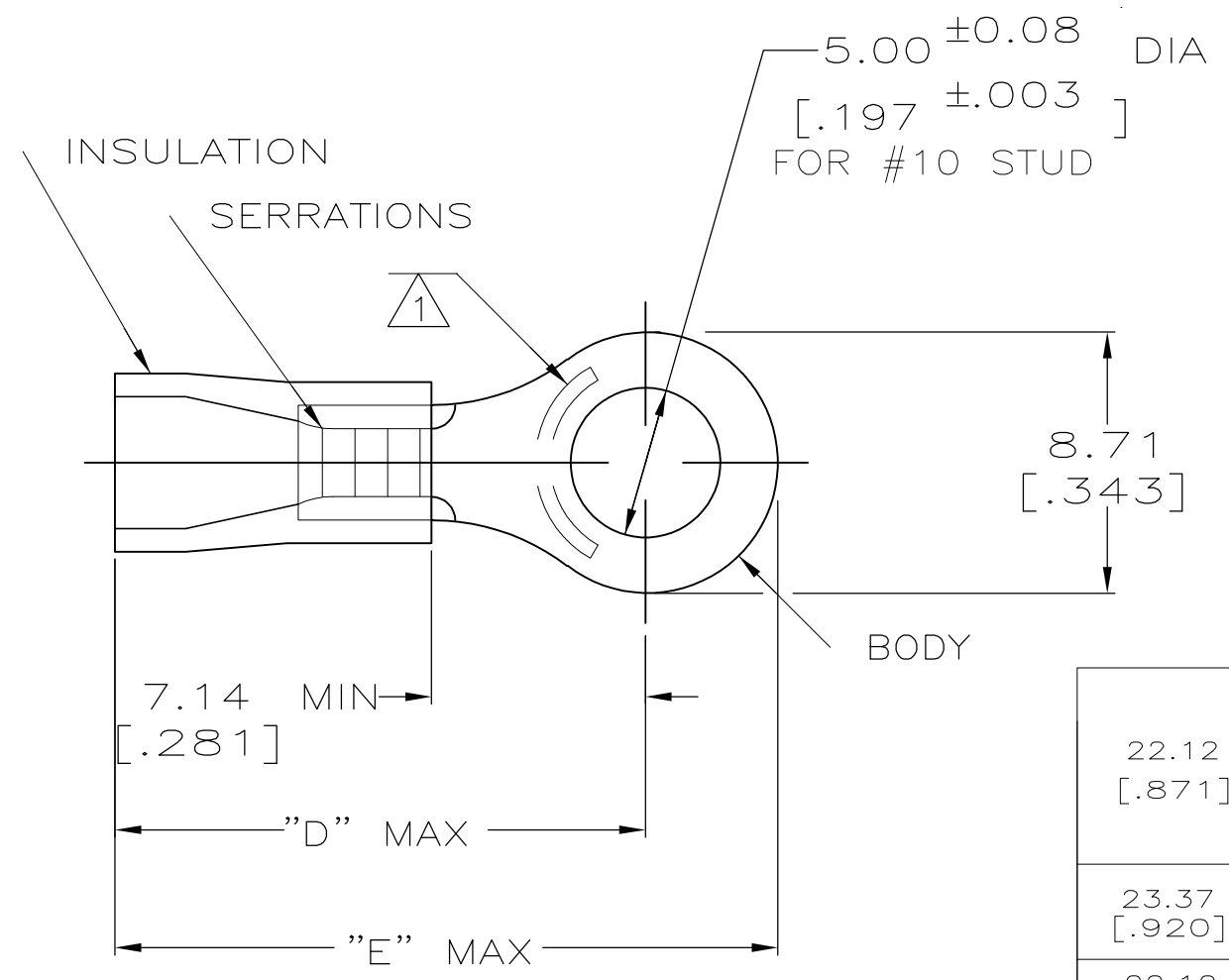
Address: A1208, Overseas Decoration Building, #122 Zhenhua RD., Futian, Shenzhen, China



THIS DRAWING IS UNPUBLISHED. RELEASED FOR PUBLICATION
 © COPYRIGHT - By - ALL RIGHTS RESERVED.

LOC	DIST	REVISIONS					
		P	LTR	DESCRIPTION	DATE	DWN	APVD
G	14		S2	REVISED PER ECO-11-004587	11MAR11	RK	HMR

AMP WIRE RANGE	Listed	LR7189 Certified
16-14 AWG SOLID OR STRANDED	16-14 AWG SOLID OR STRANDED	16-14 AWG SOLID OR STRANDED



- 1 STAMP AMP 16-14* APPROX AS SHOWN
- 2 TONGUE MATERIAL THK: 0.79^{±0.05} [.031^{±.002}]
- 3 MATERIAL: BODY - CU PER ASTM B152
SLEEVE - PVC, COLOR - BLUE

22.12 [.871]	17.70 [.697]	3.00-4.90 [.118-.193]	50	LOOSE PC, BAG	8-34161-5
			5	LOOSE PC, BLS	8-34161-4
			100	LOOSE PC, BOX	8-34161-1
23.37 [.920]	18.95 [.746]	3.81-6.35 [.150-.250]	5000	ON TAPE, REEL	2-34161-3
			1000	LOOSE PIECE	2-34161-2
22.12 [.871]	17.70 [.697]	3.00-4.90 [.118-.193]	5000	ON TAPE, REEL	2-34161-1
			1000	LOOSE PIECE	34161
"E"	"D"	WIRE INSULATION DIA	QTY	PACKAGE TYPE	PART NUMBER

AMP INCORPORATED
CUSTOMER SERVICE SYSTEMS

FOR ADDITIONAL PRODUCT INFORMATION OR COPIES OF DRAWINGS AND TECHNICAL DOCUMENTS
 PRODUCT INFORMATION CENTER
 1-800-522-6752

FOR APPLICATION TOOLING INFORMATION
 TOOLING ASSISTANCE CENTER
 1-800-722-1111

FOR ORDER ENTRY
 1-800-526-5142

MAX RECOMMENDED OPERATING TEMPERATURE:
 105°C [221° F]

VOLTAGE RATING:
 N/A

CIRCULAR MIL AREA:
 1.04-2.62mm² [2,050-5,180]
 SOLID OR STRANDED

THIS DRAWING IS A CONTROLLED DOCUMENT.

DIMENSIONS:
 MM [INCHES]

TOLERANCES UNLESS OTHERWISE SPECIFIED:

0 PLC ± -
 1 PLC ± -
 2 PLC ± 0.20[.008]
 3 PLC ± -
 4 PLC ± -
 ANGLES ± -

MATERIAL
 TIN PER ASTM B545

DWN DK SCHRUM 08/06/92
 CHK RE HERSEY 11/10/92
 APVD M ELLIS 11/10/92
 PRODUCT SPEC
 UL 486A
 APPLICATION SPEC
 NOT AVAILABLE
 WEIGHT -

STE TE Connectivity

NAME
 TERMINAL, RING TONGUE,
 PLASTI-GRIP,
 WIRE SIZE, 16-14 AWG

SIZE A3 CAGE CODE 00779 DRAWING NO C-34161 RESTRICTED TO -

CUSTOMER DRAWING SCALE 4:1 SHEET 1 OF 1 REV S2