



Chipsmall Limited consists of a professional team with an average of over 10 year of expertise in the distribution of electronic components. Based in Hongkong, we have already established firm and mutual-benefit business relationships with customers from,Europe,America and south Asia,supplying obsolete and hard-to-find components to meet their specific needs.

With the principle of "Quality Parts,Customers Priority,Honest Operation,and Considerate Service",our business mainly focus on the distribution of electronic components. Line cards we deal with include Microchip,ALPS,ROHM,Xilinx,Pulse,ON,Everlight and Freescale. Main products comprise IC,Modules,Potentiometer,IC Socket,Relay,Connector.Our parts cover such applications as commercial,industrial, and automotives areas.

We are looking forward to setting up business relationship with you and hope to provide you with the best service and solution. Let us make a better world for our industry!



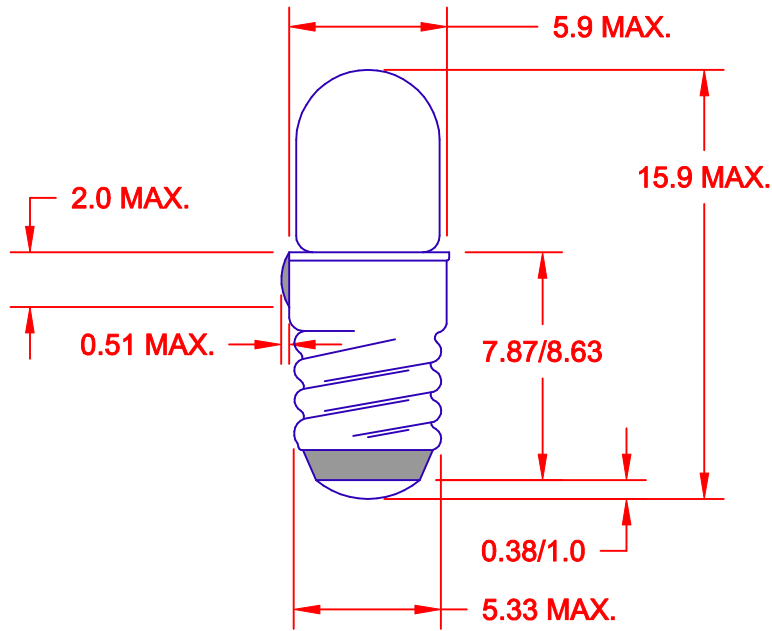
Contact us

Tel: +86-755-8981 8866 Fax: +86-755-8427 6832

Email & Skype: info@chipsmall.com Web: www.chipsmall.com

Address: A1208, Overseas Decoration Building, #122 Zhenhua RD., Futian, Shenzhen, China





| OUTSIDE DIAMETER | | THREADS PER INCH | DEPTH OF THREAD | RADIUS OF THREAD |
|-----------------------|----------------------|------------------|--------------------|------------------|
| MAJOR CREST OF THREAD | MINOR ROOT OF THREAD | | | |
| MIN. .206" (5.23mm) | ----- | 25.4 | .011" MIN. (.28mm) | .0116" (.29mm) |
| MAX. .210" (5.33mm) | MAX. .188" (4.77mm) | | | |

| JKL LAMP NUMBER | VOLTS RATED | AMPS ±10% | MSCP ±25% | LUMENS ±25% | AVERAGE LIFE HRS. | FILAMENT TYPE |
|-----------------|-------------|-----------|-----------|-------------|-------------------|---------------|
| 8669 | 1.4 | .060 | .010 | 0.13 | 3,000 | C-2R |
| 1767 | 2.5 | .200 | .200 | 2.51 | 500 | C-2R |
| 7318 | 5.0 | .060 | .050 | 0.63 | 100,000 | C-2R |
| 7319 | 5.0 | .115 | .150 | 1.89 | 40,000 | C-2R |
| 342 | 6.0 | .040 | .030 | 0.38 | 10,000 | C-2V |
| 1768 | 6.0 | .200 | .630 | 7.92 | 1,000 | C-2R |
| 7320 | 6.3 | .040 | .030 | 0.38 | 20,000 | C-2V |
| 1775 | 6.3 | .075 | .230 | 2.89 | 1,000 | C-2R |
| 378 | 6.3 | .200 | .400 | 5.03 | 50,000 | C-2F |
| 7323 | 6.3 | .200 | .550 | 6.91 | 5,000 | C-2R |
| 389 | 10.0 | .040 | .080 | 1.01 | 30,000 | C-2F |
| 7326 | 12.0 | .040 | .120 | 1.51 | 10,000 | C-2R |
| 8362 | 14.0 | .080 | .300 | 3.77 | 50,000 | C-2F |
| 383 | 14.0 | .080 | .500 | 6.29 | 2,500 | C-2F |
| 8162 | 14.0 | .100 | .500 | 6.29 | 50,000 | C-2F |
| 8536 | 18.0 | .040 | .150 | 1.89 | 10,000 | C-2F |
| 8437 | 22.0 | .040 | .300 | 3.77 | 2,000 | C-2F |
| 399 | 28.0 | .040 | .300 | 3.77 | 25,000 | C-2F |
| 369 | 28.0 | .040 | .340 | 4.27 | 4,000 | C-2F |

| | | | | | | | | | |
|---|------------------------|--|---------------|----------------------------------|----------|--------------------------|--|--|--|
| | | METRIC DIMENSIONS ARE IN MILLIMETERS TOLERANCE UNLESS OTHERWISE SPECIFIED 1 PL +/- 0.2 2 PL +/- 0.20 ANGLE +/- 0 | | | | | | | |
| DRAWN BY L. WENGSTROM | | APPVD BY DATE QC 11/17/00 | | SIZE A | | FSCM NO. 55335 | | DRAWING NO. SCREW BASE T-1 3/4--15.9 | |
| TITLE T-1 3/4 STANDARD MIDGET SCREW BASE LAMP | | SCALE NONE | | RELEASED DATE 11/17/00 | | REVISION DATE | | REV. NO. | |
| - CAD DRAWING - MANUAL REVISIONS NOT PERMITTED | | APPVD DATE 11/17/00 | | RELEASED DATE 11/17/00 | | REVISION DATE | | REV. NO. | |
| REV. NO. | DESCRIPTION/ECO NUMBER | APPVD DATE | RELEASED DATE | REVISION DATE | REV. NO. | SHEET 1 OF 1 | | | |