



Chipsmall Limited consists of a professional team with an average of over 10 year of expertise in the distribution of electronic components. Based in Hongkong, we have already established firm and mutual-benefit business relationships with customers from,Europe,America and south Asia,supplying obsolete and hard-to-find components to meet their specific needs.

With the principle of "Quality Parts,Customers Priority,Honest Operation,and Considerate Service",our business mainly focus on the distribution of electronic components. Line cards we deal with include Microchip,ALPS,ROHM,Xilinx,Pulse,ON,Everlight and Freescale. Main products comprise IC,Modules,Potentiometer,IC Socket,Relay,Connector.Our parts cover such applications as commercial,industrial, and automotives areas.

We are looking forward to setting up business relationship with you and hope to provide you with the best service and solution. Let us make a better world for our industry!



Contact us

Tel: +86-755-8981 8866 Fax: +86-755-8427 6832

Email & Skype: info@chipsmall.com Web: www.chipsmall.com

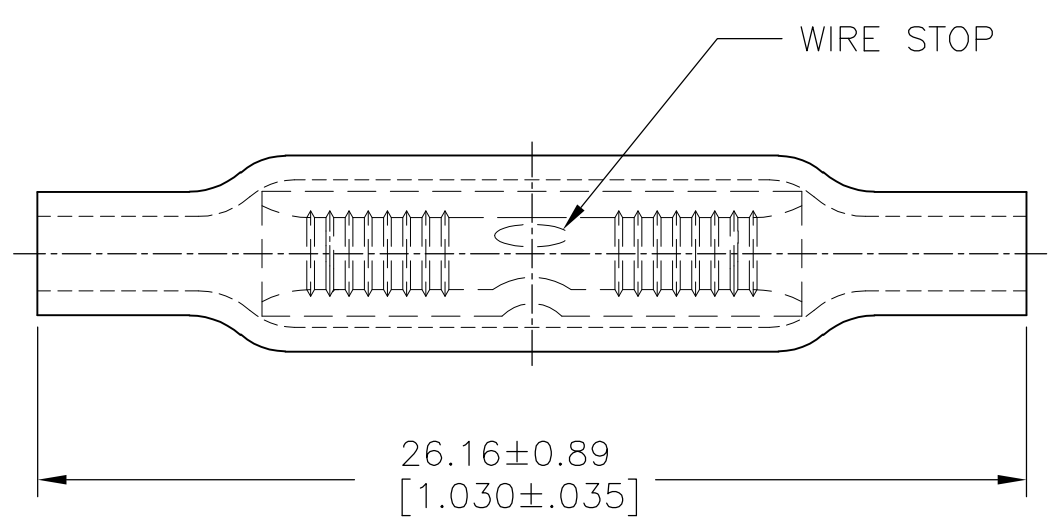
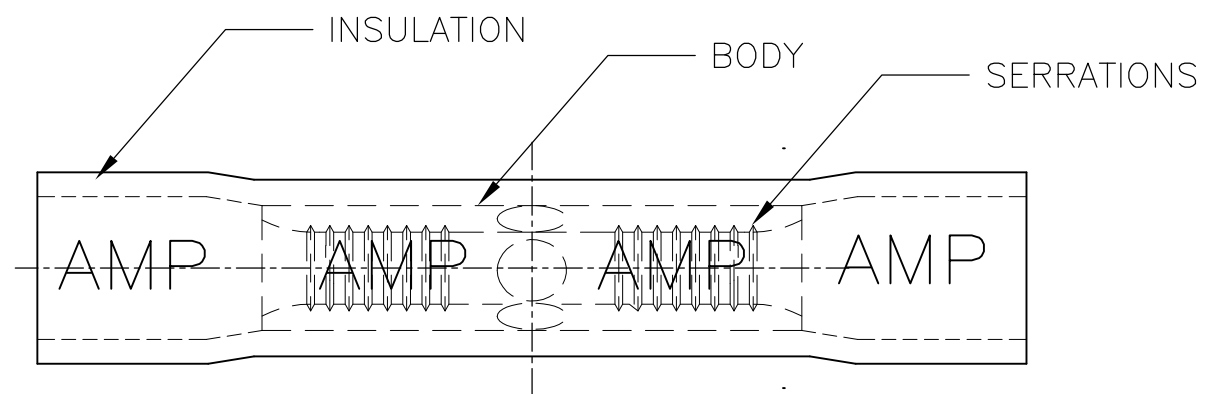
Address: A1208, Overseas Decoration Building, #122 Zhenhua RD., Futian, Shenzhen, China



THIS DRAWING IS UNPUBLISHED. RELEASED FOR PUBLICATION
 © COPYRIGHT - By - ALL RIGHTS RESERVED.

LOC	DIST	REVISIONS			
P	LTR	DESCRIPTION	DATE	DWN	APVD
G	-	F2	REDRAW PER ECO-11-020548	02FEB12	KH DR

1 FOR 4.34[.171] TO 2.11[.083] MAX OVALED WIRE INSULATION DIA



OBSOLETE	100	LOOSE PC,BOX	BODY: COPPER PER ASTM B152 TIN PLATE PER ASTM B545	8-34203-1
	1000	LOOSE PIECE	INSULATION: PVC COLOR: RED	34203
	QTY	PACKAGE TYPE	MATERIAL & FINISH	PART NO

THIS DRAWING IS A CONTROLLED DOCUMENT.		DWN KIRAN HOLAL 02FEB12	STE TE Connectivity	
DIMENSIONS: mm [INCHES]		CHK ROHDE DANIEL 02FEB12		
TOLERANCES UNLESS OTHERWISE SPECIFIED:		APVD ROHDE DANIEL 02FEB12	NAME	
0 PLC ± -		PRODUCT SPEC	-	
1 PLC ± -		APPLICATION SPEC	WIRE SPLICE PLASTI-GRIP-BUTT-OVALED WIRE SIZE: 22-16	
2 PLC ± -		WEIGHT	SIZE	CAGE CODE
3 PLC ± 0.20[.008]			A3	00779
4 PLC ± -			DRAWING NO	RESTRICTED TO
ANGLES ± 5°			G-34203	-
MATERIAL			CUSTOMER DRAWING	
FINISH			SCALE	SHEET
			5:1	1 OF 1
			REV	F2